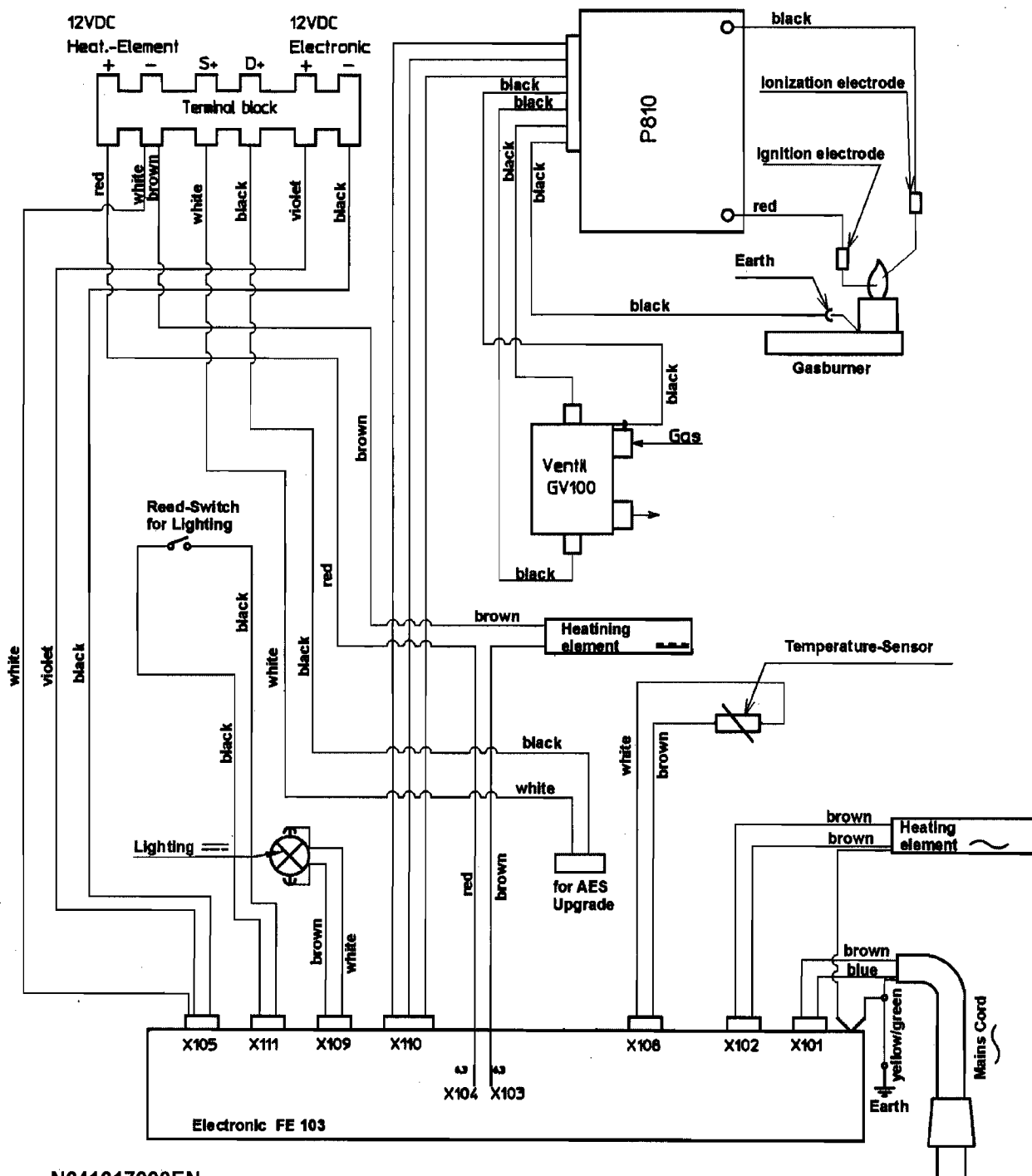


WIRING DIAGRAM

RM7401L



N241217990EN