

Date: May 16, 2005

Subject: #11 Torflex® Axle Bracket Change

Dexter Axle will be making a running production change to #11 Torflex® axle brackets and side mount brackets. The low profile axle bracket will change first, and production will begin late May, 2005. Change to the high profile version will begin approximately June 1, 2005. The side mount bracket change will begin approximately January 1, 2006. As our axle producing facilities deplete current bracket inventory and begin phasing in the new bracket style, we will also be placing a fluorescent green "notice" sticker on each left and right bracket alerting you of the change.

As detailed on the back of this page, the low and high profile bracket will change from 12" to 11" in length. The mounting holes in the bracket will remain in the same location and will not change relative to the axle tube. Since the location of the mounting holes will remain unchanged, there will be no service replacement issues i.e. axles produced with new brackets will fit existing side mount hangers or drilled frame rails already on a trailer.

The side mount bracket will change from 13" to 11.5" in length. The mounting holes in the bracket will remain in the same location and will not change relative to the axle tube.

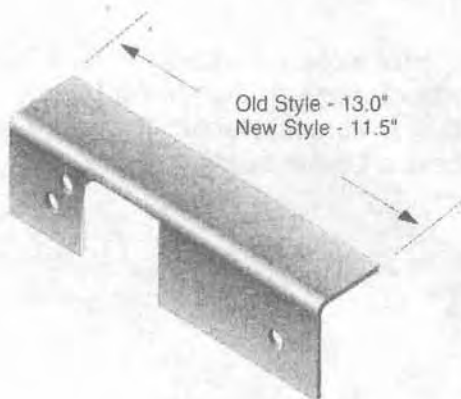
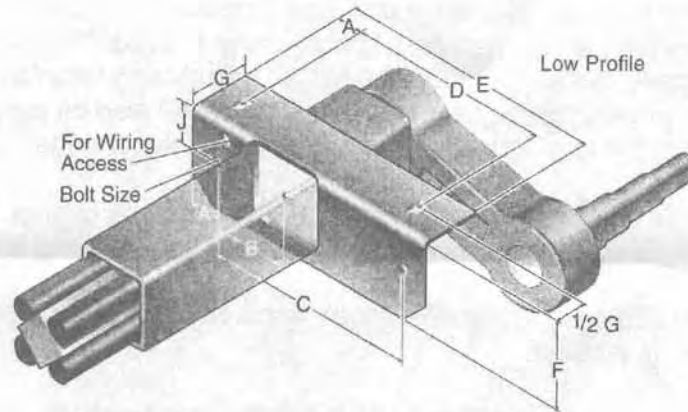
Although the length of the bracket is a fairly transparent change for most, we wanted to alert those customers who use the front edge of the bracket to locate Torflex® axles on their trailer frames. Although this axle positioning method is not a preferred practice, the bracket length change will affect the axle spindle position on the frame. For more precise alignment, Dexter recommends locating Torflex® axles by measuring to the axle tube or axle spindle.

Please contact your Dexter Sales Engineer should you have any additional questions.



Bruce Bailey
Product Manager

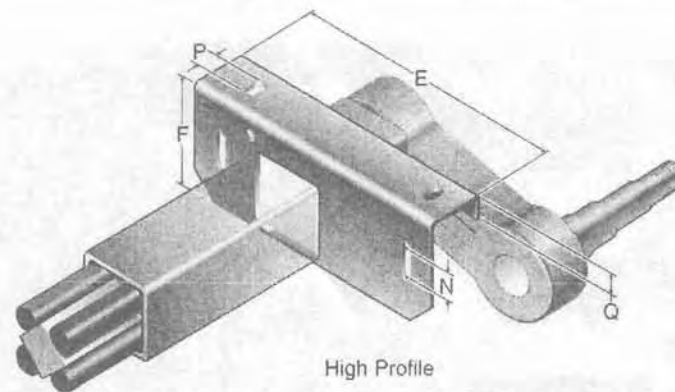
#11 BRACKET DIMENSIONS



Side Mount Hanger

NEW STYLE	
#11 BRACKET DIMENSIONS	
	Low High
A	.75 .75
B	3.50 3.50
C	9.50 9.50
D	9.00 9.00
E	11.00 11.00
F	3.91 4.66
G	2.50 2.50
J	1.83 1.83
N	---- 1.03
P	---- 1.00
Q	---- 1.00
Bolt Size	1/8" bolt
Tube Size	3.03 3.03

OLD STYLE	
#11 BRACKET DIMENSIONS	
	Low High
A	1.25 1.25
B	3.50 3.50
C	9.50 9.50
D	9.00 9.00
E	12.00 12.00
F	3.91 4.66
G	2.50 2.50
J	1.83 1.83
N	---- 1.03
P	---- 1.00
Q	---- 1.00
Bolt Size	1/8" bolt
Tube Size	3.03 3.03



High Profile