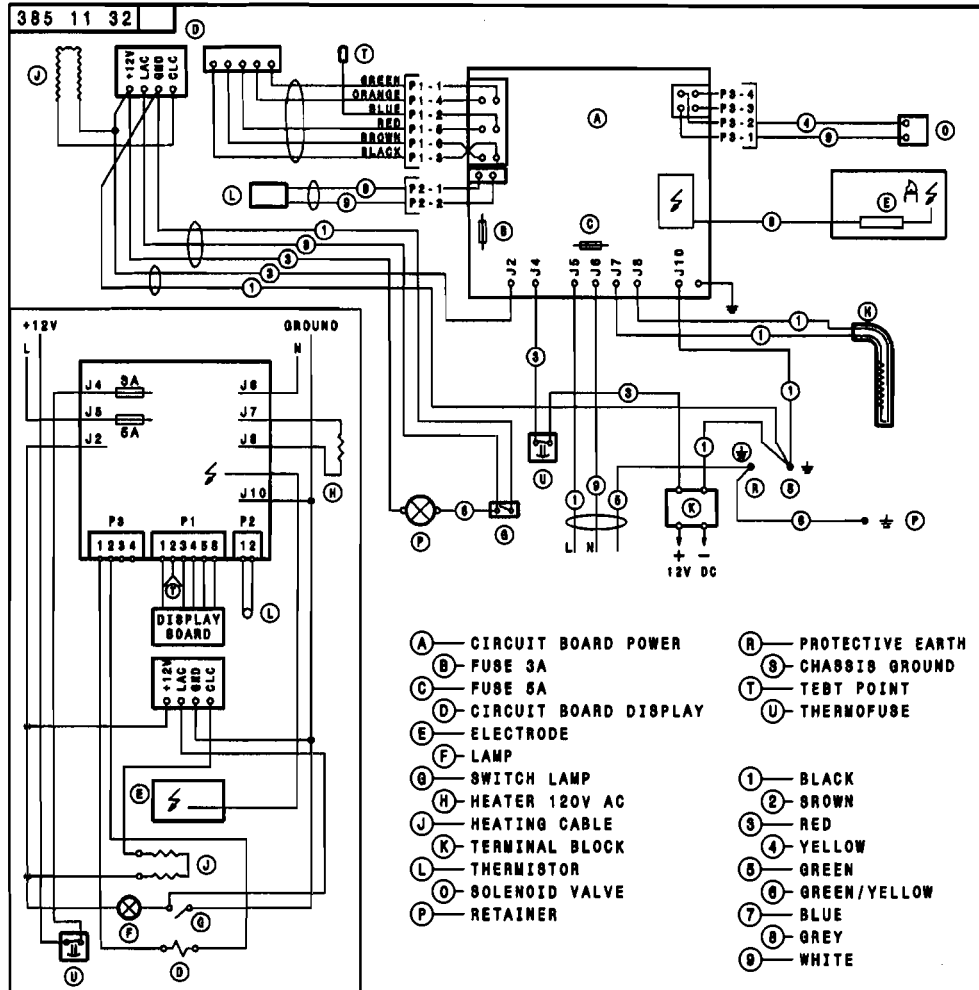


# WIRING DIAGRAM

DM3862 Prod No.921146309 = A  
 DM3862 Prod No. 921146310 = B



N38511320