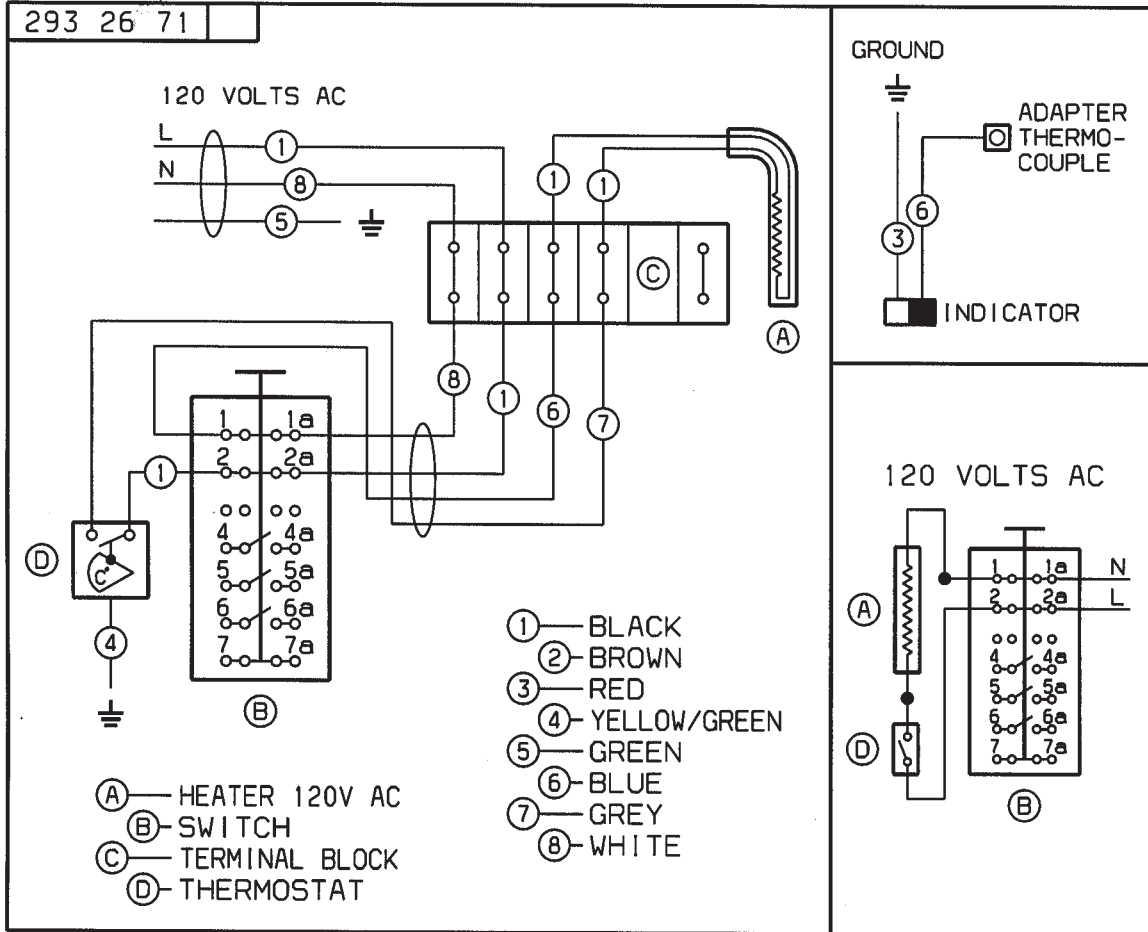


# WIRING DIAGRAM FOR RM2452 (2-WAY MODELS) Prod. No. 921140101 and 921140102



N29326710