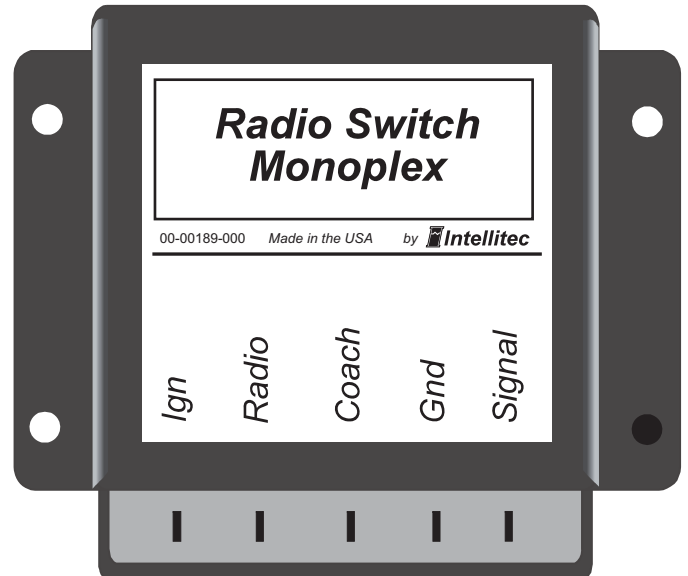


Radio Switch Control

Radio Switch Control utilizes Intellitec's exclusive Monoplex technology to control loads of up to 3 amps between two power sources. With Intellitec's Monoplex system, multipoint switching is accomplished with a single wire connected to multiple switch points.



Part No. 00-00189-000

The **Radio Switch Control** is generally used to control an RV's in-dash radio. When the ignition is on, the dash radio is powered by the chassis battery. When the ignition is off, and one of the momentary switches is pressed, the radio is powered through the coach battery. Pressing the switch again will turn the radio off. If the radio is on powered from the coach battery and the ignition is turned on, the radio is immediately switched to the chassis battery. When the ignition is turned off again, the radio is then turned off.

 **Intellitec**
1485 Jacobs Rd.
Deland, FL 32724
386.738.7307

P/N 53-00189-000 Rev. C 032119

Radio Switch Control

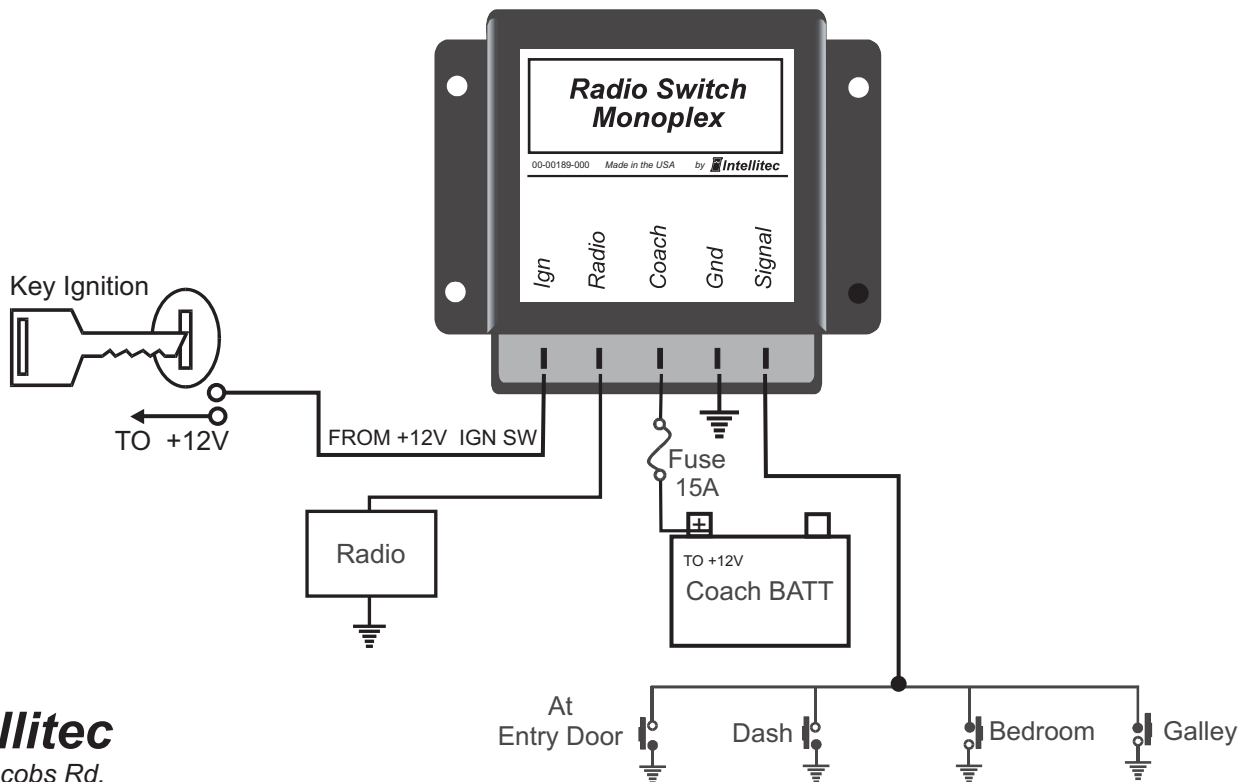
Specifications:

Operating Voltage: 10 to 16 VDC
Current carry capabilities: 3 Amps Max
Standby current draw: 2 milliamps
Operating temperature: -40°C to +85°C
(-40°F to +185°F)

In a typical installation a **MONOPLEX™** Controller is located near the load to be connected, with the control wire routed to the remote switch or switches, which are located in convenient places throughout the vehicle. By using this scheme, the need to run the heavy gauge wire to each switch is eliminated, along with difficulties of connections and safety problems normally associated with conventional wiring techniques.

Each component of the **MONOPLEX™** System has been designed to work together, in the RV/Marine environment, to provide a high quality, simple and trouble-free product.

Typical Wiring Diagram:



 **Intellitec**
1485 Jacobs Rd.
Deland, FL 32724
386.738.7307

P/N 53-00189-000 Rev. C 032119