

QUICK START KIT

Part No. 3102903.006

The Quick Start Kit can be installed on all Duo-Therm roof mounted air conditioners and heat pumps. The Quick Start Kit will allow the compressor to start properly when operated on the Onan 2.8 Micro-Lite Generator as the 120 volt power source.

High ambient temperatures can affect the ability of the roof mounted air conditioner/heat pump to start on generator power.

The following parts are included in this Kit:

1 ea.	3100235.245	Start Relay	2 ea.	312219.002	Screw
1 ea.	3100236.219	Start Capacitor	1 ea.	3102904.020	Instructions
1 ea.	304750.227	Black Wire	2 ea.	307879.003	Screw
3 ea.	303937.670	Yellow Wire	1 ea.	312096.002	Screw
1 ea.	20009.002	Wire Nut	1 ea.	317188.000	Capacitor Strap
2 ea.	312219.002	Screw			

GENERAL INSTRUCTIONS

All field wiring modification should be made in compliance with the 1990 ANSI/NFPA 70 N.E.C. and 1987 ANSI A119.2 for Recreational Vehicles.

⚠ WARNING

This unit must be serviced by a Dometic Service Center or a qualified service technician. Modification of this product can be extremely hazardous and could result in personal injury or property damage.

Read and understand these instructions **BEFORE** attempting to install the Quick Start Kit. Keep these instructions with the air conditioner manuals.

1. Turn all AC and DC power off at the circuit breaker.
2. Remove shroud from unit and cover from electrical box.
3. Locate and completely remove the PTCR device, start capacitor, and their wires. Some models have the PTCR and start capacitor combined into one part, or only have a PTCR device. See FIG. 1A and FIG. 1B.
4. Mount the new start capacitor in the electrical box using the capacitor strap supplied in the kit.

FIG. 1A
PTCR Device

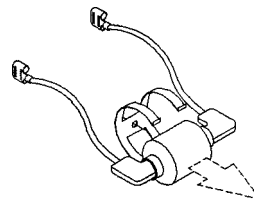
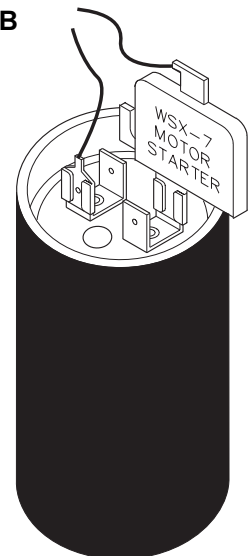


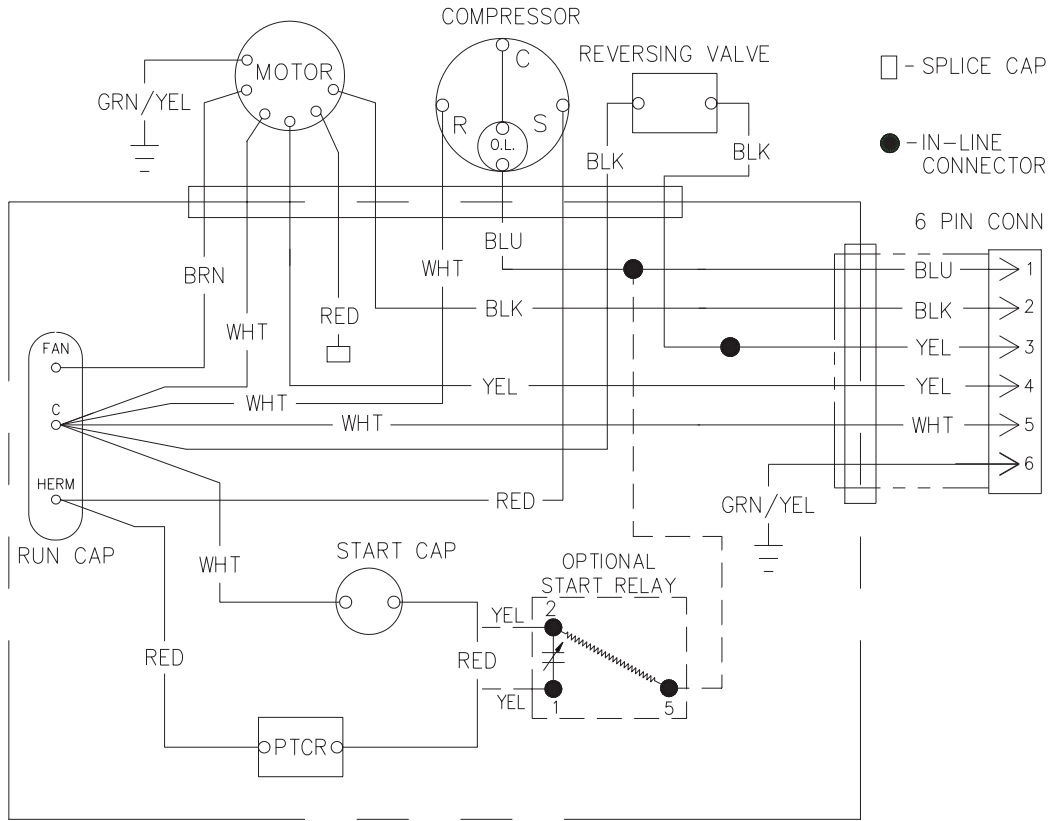
FIG. 1B



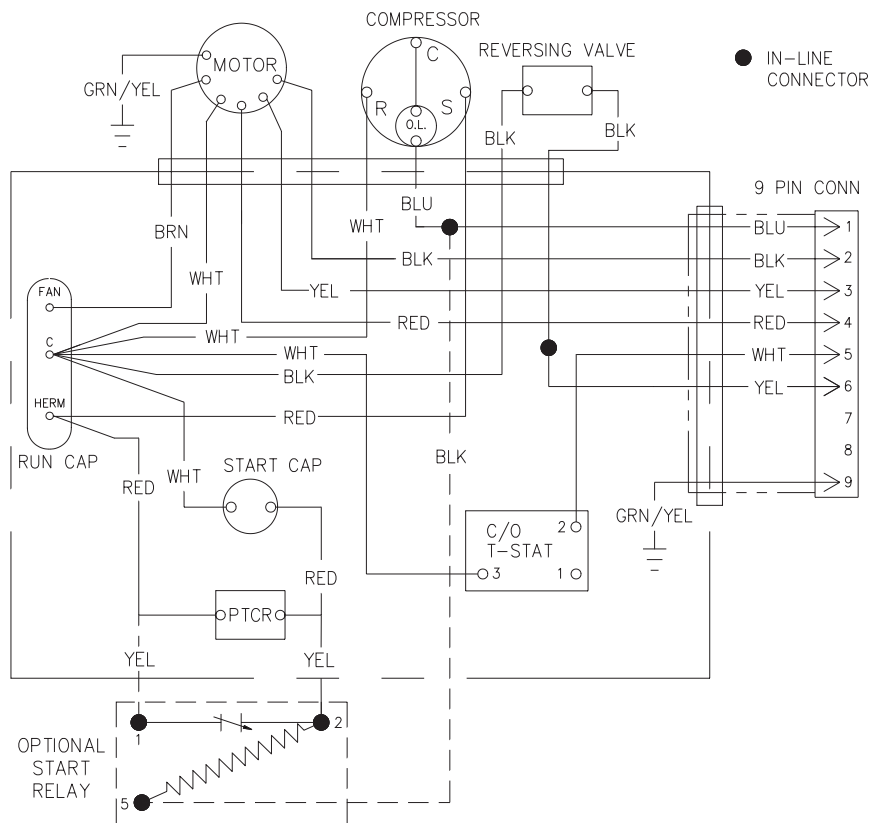
REVISION

Form No. 3102904.020 1/99
(Replaces 3102904.012)(French 3109075.006)
©1999 The Dometic Corporation
LaGrange, IN 46761

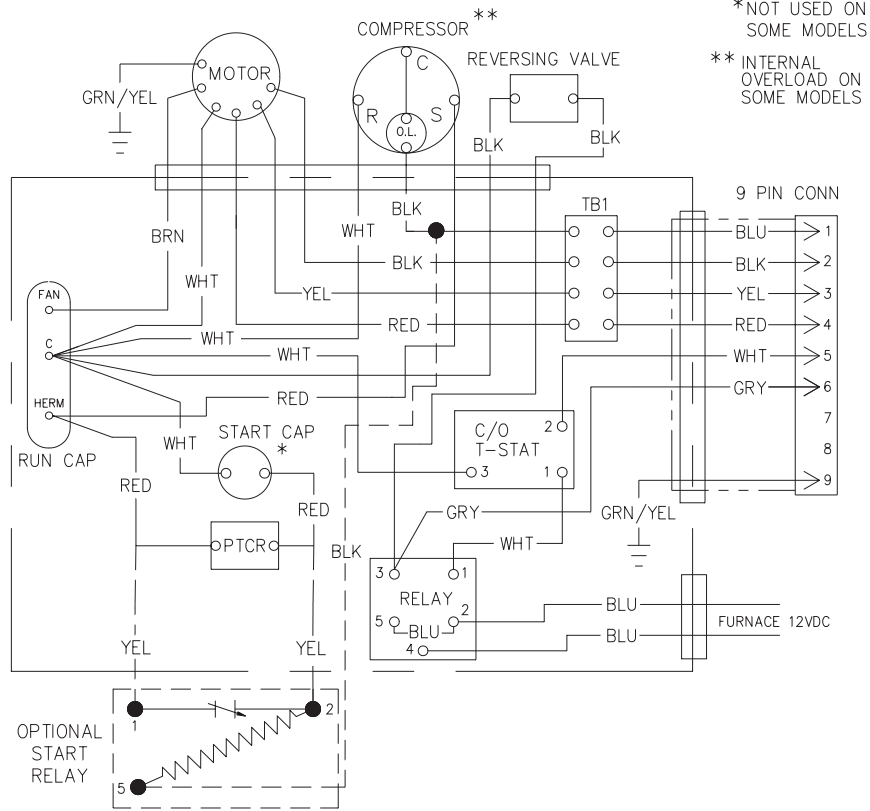
MODULARIZED ROOF TOP HEAT PUMP OPTIONAL WIRING DIAGRAM



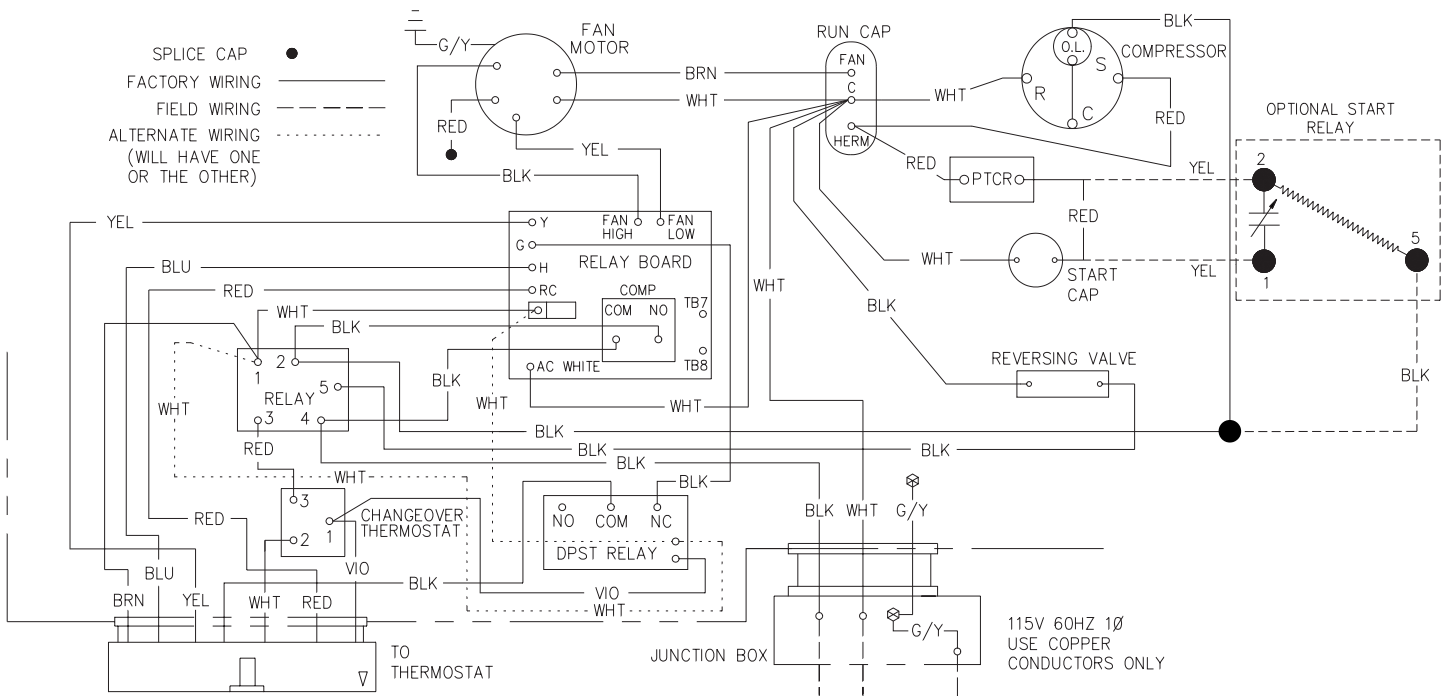
MODULARIZED ROOF MOUNTED AIR CONDITIONER OPTIONAL WIRING DIAGRAM



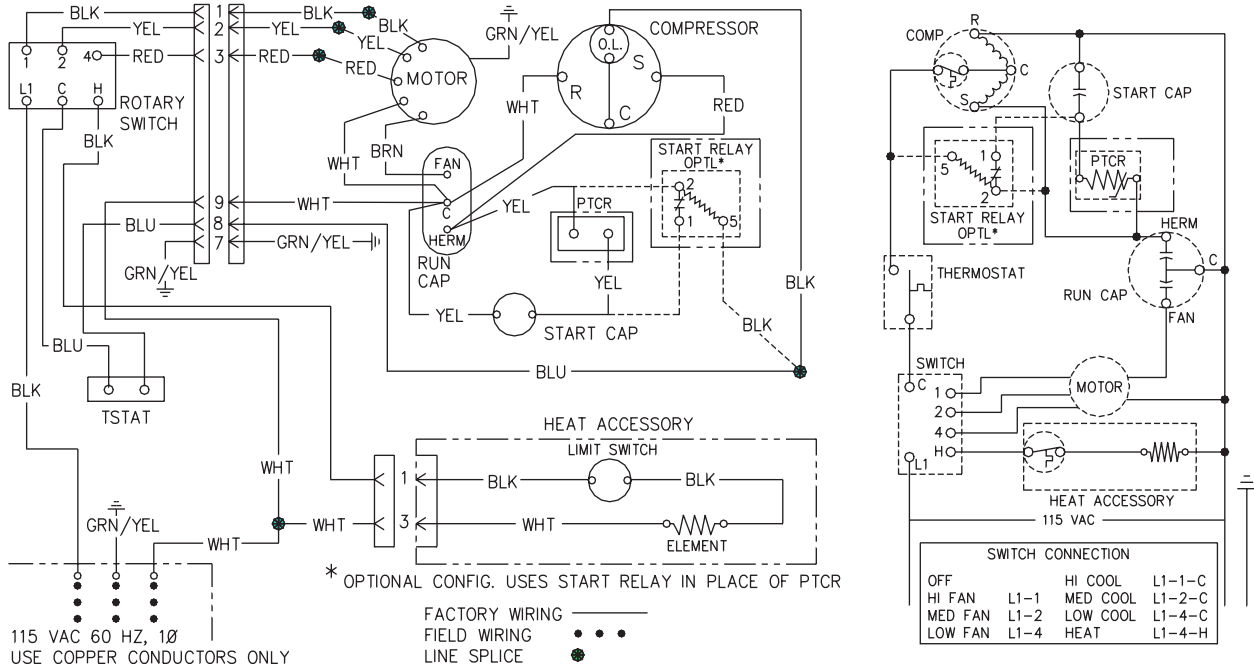
ROOF MOUNTED HEAT PUMP OPTIONAL WIRING DIAGRAM



ROOF MOUNTED HEAT PUMP OPTIONAL WIRING DIAGRAM



ROOF MOUNTED AIR CONDITIONER WITH MECHANICAL CONTROLS OPTIONAL WIRING DIAGRAM



ROOF MOUNTED AIR CONDITIONER WITH ELECTRONIC CONTROLS OPTIONAL WIRING DIAGRAM

