

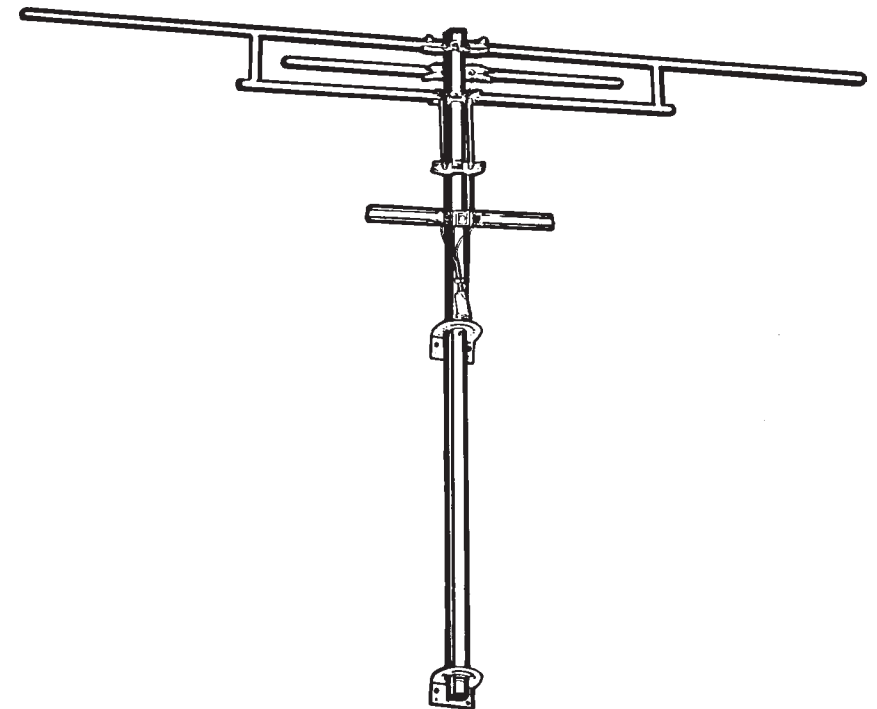


**WINEGARD®**  
**RV ANTENNA**

Model RV-7020

**INSTRUCTIONS**

Made in U.S.A.



**90 DAY LIMITED WARRANTY**

Winegard Company warrants this Winegard product against any defects in materials or workmanship within 90 (ninety) days from date of purchase. No warranty claim will be honored unless at the time the claim is made, you present proof of purchase to an authorized Winegard dealer (if unknown, please contact Winegard Company, 3000 Kirkwood Street, Burlington, IA 52601-2000, Telephone 319-754-0600).

Winegard Company (at its option) will either repair or replace the defective product at no charge to you. This warranty covers parts, but does not cover any costs incurred in removal, shipping or reinstallation of the product. This limited warranty does not apply if the product is damaged, deteriorates, malfunctions or fails from: misuse, improper installation, abuse, neglect, accident, tampering, modification of the product as originally manufactured by Winegard, usage not in accordance with product instructions or acts of nature such as damage caused by wind, lightning, ice or corrosive environments such as salt spray and acid rain.

The 90 Day Warranty is provided on the condition that the equipment is properly delivered with all handling and freight charges prepaid to your Winegard dealer for return to our factory for repair or replacement. Winegard dealers will arrange for the replacement or repair and return to you without charge the product which failed due to defective material or workmanship.

WINEGARD COMPANY WILL NOT ASSUME ANY LIABILITIES FOR ANY OTHER WARRANTIES, EXPRESS OR IMPLIED, MADE BY ANY OTHER PERSON.

ALL OTHER WARRANTIES WHETHER EXPRESS, IMPLIED OR STATUTORY INCLUDING WARRANTIES OF FITNESS FOR A PARTICULAR PURPOSE AND MERCHANTABILITY ARE LIMITED TO THE 90-DAY PERIOD OF THIS WARRANTY.

The foregoing shall be the sole and exclusive remedy of any person, whether in contract, tort or otherwise, and Winegard shall not be liable for incidental or consequential damage or commercial loss, or from any other loss or damage except as set forth above.

Some states do not allow limitations on how long an implied warranty lasts, or the exclusion of limitation of incidental or consequential damages, so the above limitations or exclusions may not apply to you.

This warranty gives you specific legal rights and you may also have other rights which vary from state to state.

**WARNING**  
**INSTALLATION OF THESE ANTENNAS NEAR POWER LINES**  
**IS DANGEROUS. FOR YOUR SAFETY, FOLLOW THE IN-**  
**STALLATION INSTRUCTIONS.**

## INSTALLATION

**STEP 1.** Remove antenna from carton and unfold elements until they lock into place.

**STEP 2.** Connect loose elements to stud rivets. Use flat washers and wing nuts from hardware bag to secure loose elements. See Figure 1.

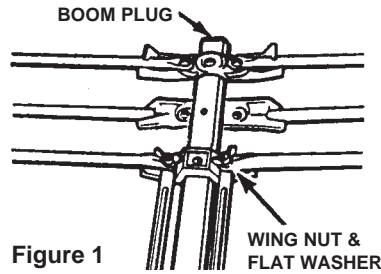


Figure 1

**STEP 3.** Insert boom plugs into top and bottom of mast. See Figure 1.

**STEP 4.** Insert retaining clip into hole just below downlead connection. See Figure 2.



Figure 2

**STEP 5.** Slide weather boot from matching transformer onto coax. To install the F-connectors, strip the ends of the RG-59 cable as shown in Figure 3A.

**STEP 6.** Push back and twist the braid around the Dielectric until it butts against the cable jacket. See Figure 3B.

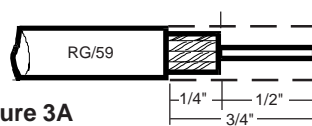


Figure 3A

**STEP 7.** Screw the F-connector onto the cable jacket until the Dielectric butts against the inner retaining ring. Cut the center conductor off flush with the end of the connector. See Figure 3C.

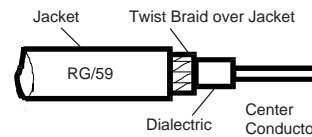


Figure 3B

**STEP 8.** Attach matching transformer to downlead stud rivets with washers and wing nuts supplied from hardware bag. See Figure 4.

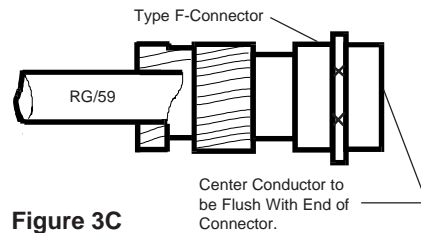


Figure 3C

**STEP 9.** Screw coax downlead onto matching transformer, making sure to slide weather boot over connection. See Figure 4.

**STEP 10.** Secure matching transformer to retaining clip. See Figure 4.

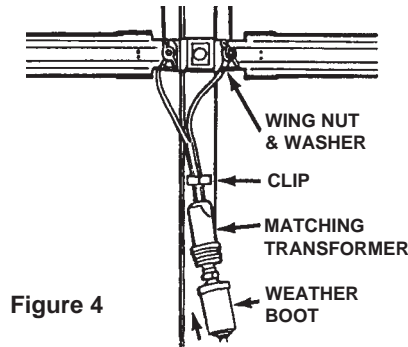


Figure 4

**STEP 11.** Select location on vehicle for antenna where downlead entry will be made and where antenna may be lowered without protruding above roof line. Hold antenna in position and mark location of mast to aid in mounting mast brackets.

**STEP 12.** Mount mast bracket 22" below roof line. Use two (2) #10 x 1" sheet metal screws provided in hardware bag. See Figure 5. Mount bottom bracket 18" below top mast bracket, making sure brackets line up vertically. See Figure 5.

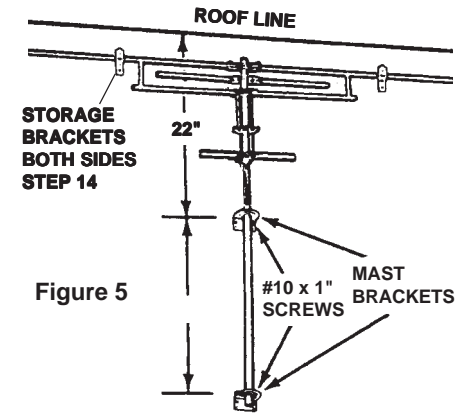


Figure 5

**STEP 13.** Slide antenna assembly down thru mast brackets. Insert locking bolt thru top hole in mast so it will be above lower mast bracket. See Figure 6. Antenna should rest on locking bolt.

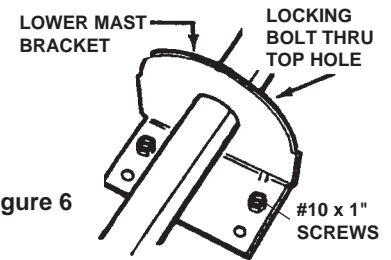


Figure 6

**STEP 14.** Place storage brackets approximately 12" from end of long VHF element and attach to vehicle with one (1) #10 x 1" sheet metal screw. See Figure 7.

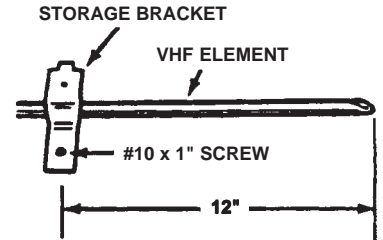


Figure 7

**STEP 15.** Run downlead to TV set, leave enough slack so antenna may be raised.

### To Raise Antenna to Operating Position:

Remove locking bolt and wing nut from hole in center of mast, slide antenna up thru brackets until hole at bottom of mast is just above bottom mast bracket and insert locking bolt and secure with wing nut. See Figure 5.

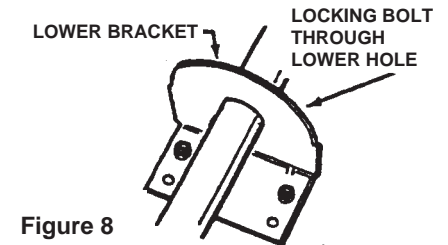


Figure 8

**NOTE:** Antenna may be rotated when in the operating position to obtain best picture.

**To Lower Antenna to Travel Position:** Rotate antenna until elements are on side facing vehicle. Remove locking bolt and wing nut, slide antenna down thru mast brackets until VHF element rests on storage brackets. Replace locking bolt in top hole below bottom mast bracket and secure bolt and wing nut. See Figure 9.

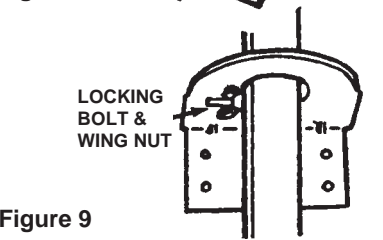


Figure 9