

## SIDEOUT KOVER II (SOK II)

SOK II ORDERING INFORMATION & SPECIFICATIONS

**SIZES AVAILABLE: 57" – 197"**

**EXTENSION AVAILABLE: 42" STANDARD**

---

### SOK II TIPS, FACTS AND COMMONLY ASKED QUESTIONS

---

#### THE SOK II:

- Available in Vinyl, PolyWeave, Fullview, Standard or custom Sunbrella Acrylic fabrics.
- Available with wind deflector or full case option.
- Custom color Wind Deflector and Case available in Black, Pewter and Champagne.
- Brackets and end caps are white with white case or deflector, black with cameo, satin and all custom colors.
- Complete with roller, awning rail and hardware.
- Canopy will measure approximately 4" longer than stated awning size.  
(Example: TT0570042W fabric will measure 61")

#### MEASURING TIPS:

- Measure in one of two ways:
  1. Outside edge of flange to outside edge of flange.
  2. Slideout room box (open the room to measure).
- If the room measurement ends in a fraction always round down to the next number.

#### MOUNTING:

- The SOK II will mount with the mounting bracket as shown on the following page.
- The universal brackets will mount into the sidewall and roofline of the slide out, with the top row of mounting screws going into the sidewall of the room.
- **Caution:** Do not mount the brackets on the flange of the slideout! This may cause the flange to bend and possibly cause the room not to seal properly.
- The awning rail must be mounted to where the slot of the rail is positioned 5"-6" above the top row of screws.

#### ORDERING:

**You will need to know the following information:**

- Box or Flange measurement of slideout room.
- Slideout room extension.
- Canopy fabric and color.
- Wind deflector or full case option.
- Wind deflector or case color.

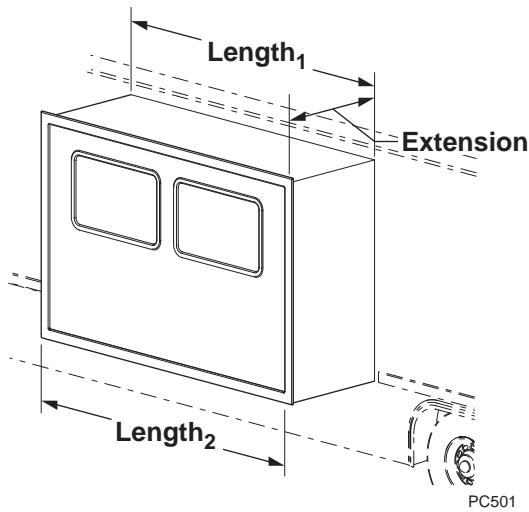
#### WARRANTY:

##### **Carefree Two & Four Year Limited Warranty**

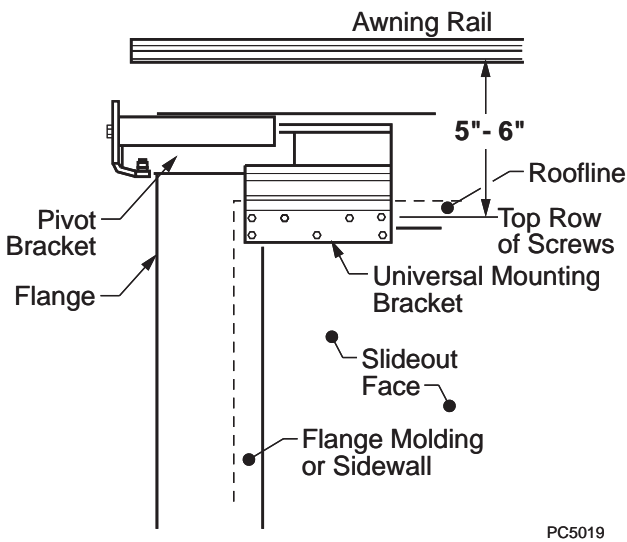
- Two Years 100% on canopy, parts, labor, freight. Four Years, 100% parts, labor and freight on roller assembly and hardware from manufacturer defects.

#### SHIPPING:

- Applicable freight surcharges may apply.



**Measuring the Room**



**Bracket Installation**

MEASURE 1 OF 2 WAYS ROOF MEASUREMENT (LENGTH <sub>1</sub> )	FLANGE MEASUREMENT (LENGTH <sub>2</sub> )	FABRIC WIDTH
62" – 65"	68" – 70"	69"
66" – 69"	71" – 74"	73"
70" – 73"	75" – 78"	77"
74" – 77"	79" – 82"	81"
78" – 81"	83" – 86"	85"
82" – 85"	87" – 90"	89"
86" – 89"	91" – 94"	93"
90" – 93"	95" – 98"	97"
94" – 97"	99" – 102"	101"
98" – 101"	103" – 106"	105"
102" – 105"	107" – 110"	109"
106" – 109"	111" – 114"	113"
110" – 113"	115" – 118"	117"
114" – 117"	119" – 122"	121"
118" – 121"	123" – 126"	125"
122" – 125"	127" – 130"	129"
126" – 129"	131" – 134"	133"
130" – 133"	135" – 138"	137"
134" – 137"	139" – 142"	141"
138" – 141"	143" – 146"	145"
142" – 145"	147" – 150"	149"
146" – 149"	151" – 154"	153"
150" – 153"	155" – 158"	157"
154" – 157"	159" – 162"	161"
158" – 161"	163" – 166"	165"
162" – 165"	167" – 170"	169"
166" – 169"	171" – 174"	173"
170" – 173"	175" – 178"	177"
174" – 177"	179" – 182"	181"
178" – 181"	183" – 186"	185"
182" – 185"	187" – 190"	189"
186" – 189"	191" – 194"	193"
190" – 193"	195" – 198"	197"
194" – 197"	199" – 203"	201"