

OMEGA

OMEGA II ORDERING INFORMATION & SPECIFICATIONS

SIZES AVAILABLE: 4'-15'

EXTENSION AVAILABLE: UP TO 44"

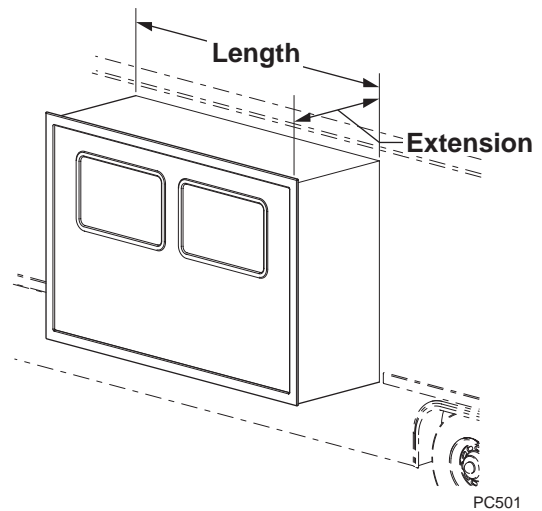
OMEGA II TIPS, FACTS AND COMMONLY ASKED QUESTIONS...

THE OMEGA II:

- Available in Vinyl, PolyWeave, Fullview, Standard or custom Sunbrella Acrylic fabrics.
- Standard with full case.
- Custom color case and arms available in Black, Pewter and Champagne.
- Arms and end caps are white with white case, black with cameo, satin and all custom colors.
- Complete with roller, arms, awning rail and hardware.
- Canopy will measure approximately 5" longer than the stated box size.
- (Example: VE118GAGA42W fabric will measure 123")
- Window awning portion will project an additional 28".

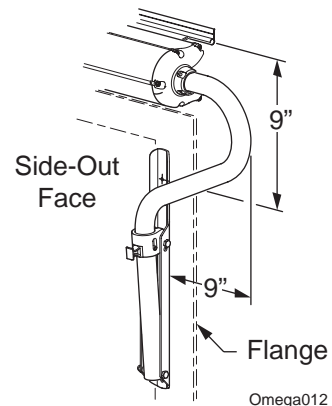
MEASURING TIPS:

- **Length**-measure the top of the slideout room box **DO NOT INCLUDE THE FLANGE!**
- **Extension**-fully extend the slideout, and measure from the sidewall of the unit to the front of the flange.
- If the room measurement ends in a fraction always round **UP** to the next number.
- Outside edge of arm is 9" outboard of where the outside of the mounting brackets are placed. The sidewall must be free of obstructions in this area. (See diagram below)
- Omega II awnings are custom made to the specifications provided.



MOUNTING:

- The awning rail must mount with the bead of the rail a minimum of 1" above the top of the slide out room face (top flange).
- Arm mounting brackets must mount on a flat surface that is a minimum of 1 1/16" wide.
- Arm mounting brackets must be mounted into the sidewall structure NOT on the outside edge of the flange.



ORDERING:

You will need to know the following information:

- Box measurement of slideout room.
- Slideout room extension.
- Canopy color and fabric.
- Arm & case color.

WARRANTY:

Carefree Two & Four Year Limited Warranty

- Two Years 100% on canopy, parts, labor, freight. Four Years, 100% parts, labor and freight on roller assembly and hardware from manufacturer defects.

SHIPPING:

- Applicable freight surcharges may apply.