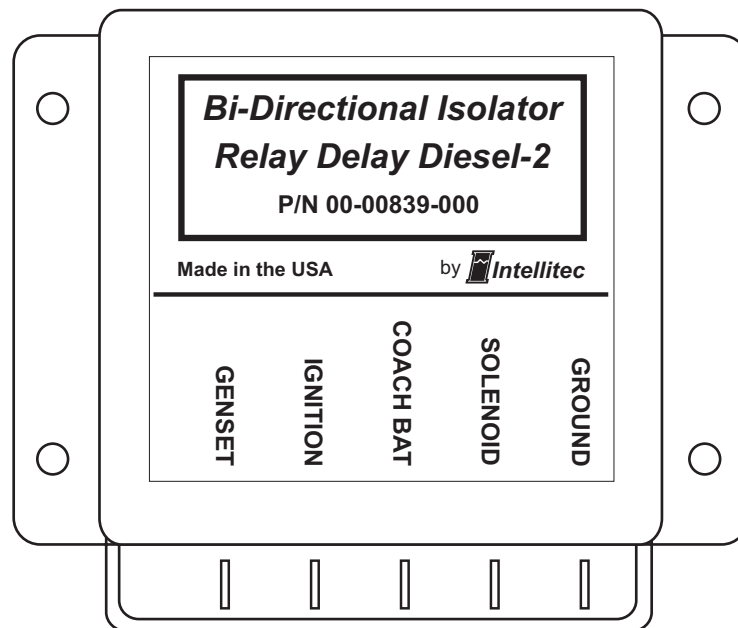


# BI-DIRECTIONAL ISOLATOR RELAY DELAY Diesel-2™

## SERVICE MANUAL



P/N 00-00839-000

### PRODUCT DESCRIPTION

**Intellitec's Bi-Directional Isolator Relay Delay-Diesel 2™** performs two important functions. It provides a method of charging the coach battery from the engine alternator and charges the chassis battery from the converter when the coach is plugged into shore power. When neither battery is being charged, the batteries are isolated from each other to prevent the loads of one battery from inadvertently discharging the other battery. If the generator is running, the isolator is prevented from pulling in to prevent the generator and converter from operating the chassis functions, which might over-load the converter.

The unit is housed in a plastic enclosure suitable for mounting under the hood, out of direct water spray. It operates in combination with a continuous duty solenoid to connect the two batteries at the proper times for charging.

**NOTE** The **Bi-Directional Isolator Relay Delay-Diesel 2™** controls the Isolator Relay which is connected directly to the chassis and coach batteries. Power from both the batteries is fed into the module. The full power of the battery may be available at this module. Inadvertent shorts at this box could result in damage and/or injury. All servicing of this module should be done only by a qualified Service Technician.

Tools required: Low current Test Light, Accurate Voltmeter (*digital read-out preferred*)

**Intellitec**

131 Eisenhower Lane North  
Lombard, IL 60148  
630.268.0010 / 1.800.251.2408

# **BI-DIRECTIONAL ISOLATOR RELAY DELAY Diesel-2™**

## **SERVICE MANUAL**

### **HOW IT WORKS**

The BIRD operates in conjunction with a continuous duty solenoid to provide the isolator/battery charging functions of a motor home. It senses voltage on the coach and chassis batteries. If the voltage on either one is above 13.1 volts (indicating the battery is being charged), it closes the isolator relay, paralleling the batteries, charging both. It operates in two directions, charging the batteries from the engine alternator and charging the batteries from the converter. These functions are similar but operate at different thresholds.

### **Engine Alternator Charging the Batteries**

When the ignition switch is turned on and the engine is running, the system senses the level of voltage on the chassis 12 volt system. When this voltage goes *above* 13.1 volts for approximately 2 ½ minutes, as happens when the engine is running normally (normal alternator output voltage of a cold engine is approximately 14.4 volts), it will close the isolator relay providing charging current to the coach battery. This delay allows a cold engine an opportunity to start and warm up before having the heavy load of a discharged coach battery placed on it.

If the voltage should fall *below* 12 volts for more than about one minute, the relay will drop out to feed all the alternators available output to the chassis battery to keep the engine running. This might happen when the alternator is not able to supply sufficient current to all of the loads and charge the coach battery at the same time. When the chassis voltage goes *above* 13.1 volts again, the relay will again close in about one minute to retry to charge the coach battery. The resultant flickering of lights would alert the driver of the system overload.

### **Converter Charging the Batteries**

When the coach is plugged into shore power and the ignition is off, the unit senses the voltage on the coach batteries. When this voltage goes *above* 13.1 volts for approximately 2 ½ minutes, as happens when the converter isn't heavily loaded, it will close the isolator relay providing charging current to the chassis battery.

If the voltage should fall *below* 12.5 volts for more than about one minute, the relay will drop out to prevent the coach loads from discharging the chassis battery. This might happen when the converter is heavily loaded by coach loads. When the coach battery voltage goes *above* 13.1 volts again, the relay will again close in about one minute to retry to charge the chassis battery.

### **Generator Operation**

When the generator is operating, a 12 volt signal is applied to the generator input. This inhibits the isolator from operating. This is to prevent the generator/converter combination from supplying power to the chassis functions which might over-load the converter or the generator circuit breaker.

A Gen Set lock-out lead is provided to isolate the batteries and prevent conflicts if both the converter/gen-set and alternator are trying to charge the batteries at the same time. When this conflict occurs, it can cause the dash alternator indicator light to illuminate in error and may cause 1200 volt circuit breakers to trip.

If the Gen Set is running, the chassis battery and coach battery will be isolated. In this case the chassis battery will be charged by the alternator and the coach battery will be charged by the Gen Set. In the event that the chassis engine is not running, the chassis battery is isolated and will not be discharged by auxiliary loads.

**Intellitec**

131 Eisenhower Lane North  
Lombard, IL 60148  
630.268.0010 / 1.800.251.2408

# **BI-DIRECTIONAL ISOLATOR RELAY DELAY Diesel-2™**

## **SERVICE MANUAL**

### **Trouble Shooting**

#### **PROBLEM**

#### **POSSIBLE CAUSE/SOLUTION**

Coach battery not charging from engine.

Check for open circuit breaker to coach battery.

With engine running, chassis voltage should be above 13.5 volts. If less than 13.1 volts, check vehicles charging system.

Check ground on module.

Check for voltage on coil of isolator relay after engine has been running for at least 3 minutes. Voltage should be approximately 12 Volts. If no voltage, replace BIRD.

If 12 volts is applied to isolator relay coil, check for voltage drop across the isolator relay contacts. If the drop is greater than 0.2 volts, replace relay.

Chassis battery drains into coach

Check for ignition voltage on module with ignition off. Should be 0 volts. If not, check wiring.

Check for continuity across the isolator relay contacts, the relay should be open with no voltage applied to coil.

Isolator relay "clicking" on and off.

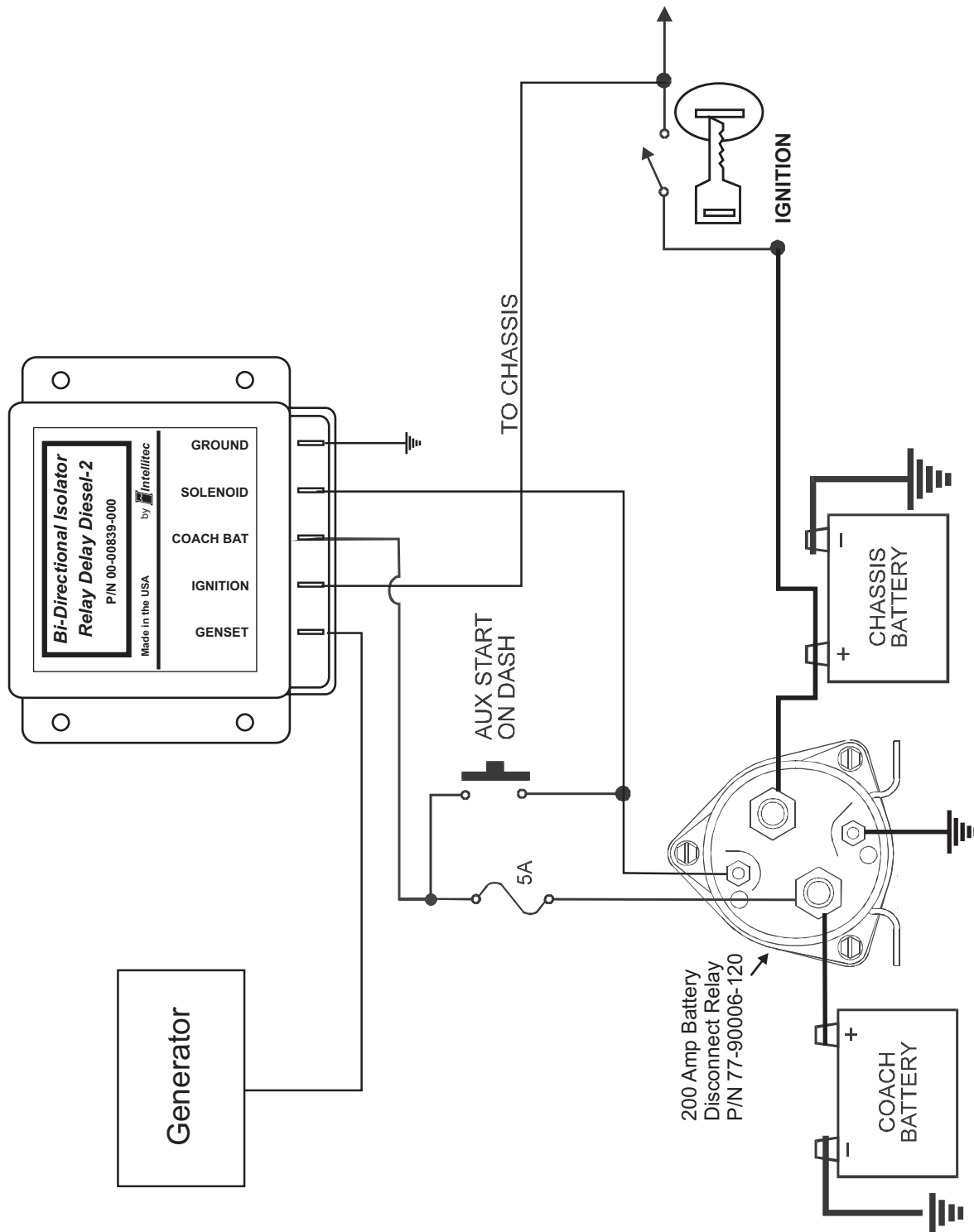
Battery voltage falling below 12.5 when plugged in or 12.0 when engine is running. This is normal with heavy loads or low batteries.

**Intellitec**

131 Eisenhower Lane North  
Lombard, IL 60148  
630.268.0010 / 1.800.251.2408

# BI-DIRECTIONAL ISOLATOR RELAY DELAY Diesel-2™

## SERVICE MANUAL



TYPICAL INSTALLATION DIAGRAM

**Intellitec**

131 Eisenhower Lane North  
Lombard, IL 60148  
630.268.0010 / 1.800.251.2408