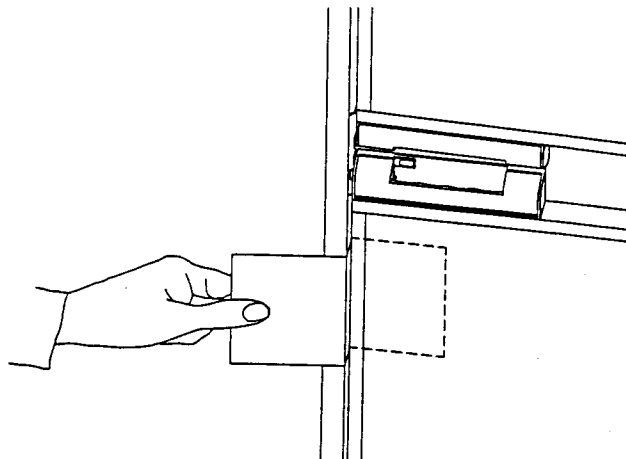


Frost buildup in gas absorption refrigerators is normal.

The following guideline has been prepared to help prevent excessive frost formation. Refrigerators will build frost of varying amounts depending upon the environmental conditions they are in, the frequency of usage, and what is stored in them. The coldest part of the cooling fins are located on the right side of the refrigerator as viewed from inside. It is normal to accumulate frost on the right side of the fins. Defrosting of the unit is not required until a decline in performance is noted. Refer to the operators guide "Defrosting and cleaning the refrigerator interior".

If the unit does exhibit heavy frost in 2-3 days, inspect the following items to be sure of proper sealing;

- ⇒ Check the door latch mechanism, is it engaging completely? There should be an audible click when the door is closed completely.
- ⇒ Make sure the shelves are installed properly. Anything inside the refrigerator that would keep the doors from completely closing could cause air leakage.
- ⇒ Is the door sealing to the cabinet properly. Refer to figure #4 below



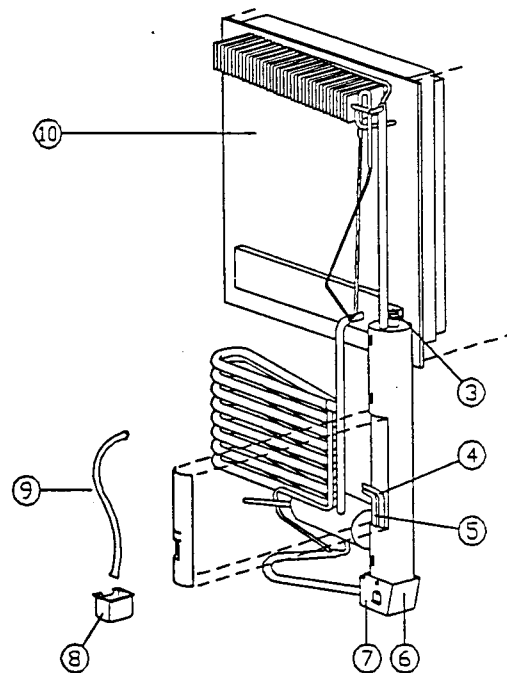
#### Checking Door Seals

To insure cooling efficiency and to prevent frost formation, the door gaskets must seal completely.

To check for proper door seal, lay a strip of paper between the gasket and the refrigerator. Close the door and withdraw the paper. A slight frictional drag should be noticed. Repeat all around the door. If the paper does not have a noticeable drag, the gasket is not sealing.

- ⇒ Is the gasket rolled under on the hinge side of the doors? The gasket bellows should be free to seal on the face of the cabinet liner
- ⇒ Is the gasket pinched under the head of a bolt or screw?
- ⇒ Is the door out of alignment? Refer to door adjustment procedures bulletin.
- ⇒ Check drain hose for crimped end to limit air intake. The crimp on the end of the hose is intended to allow water to drain freely but keep air from entering the refrigerated cabinet.

Drain Hose Crimp



- ⇒ If the above steps do not correct the frost buildup, the cooling unit may need to be sealed by an authorized Norcold service center. Authorization can be obtained by calling Norcold Customer Support Center at 1-800-543-1219