



Door Hinge Shim Service Kit 625129

Models 1200LR/1200LRIM/1201LRIM

Purpose

The purpose of this kit is to provide the necessary parts and procedure to readjust both of the lower food compartment doors on a NORCOLD 1200 Series Refrigerator.

Service Kit and Procedure

Before attempting to install this kit:

- Read this information thoroughly.
- Locate all of the described components on each door's hinge assembly.
- Make sure the kit is complete. This kit, P/N 625129, contains:
 - ✓ Installation Instructions, P/N 625128.
 - ✓ (2) Lower hinge metal reinforcement plates, P/N 624505.
 - ✓ (2) Plastic washers (black), P/N 624722.
 - ✓ (2) Adhesive shims (white), P/N 624701.

Tools and Materials

The following tools and materials are needed to install this kit but are not included:

- 1/4 in. flat blade screwdriver.
- 5/16 in. nut driver.
- Threadlocking compound, semipermanent type (such as Loc-tite 222 [blue]).
- Standard #2 Philips head screwdriver.

Procedure

1. Turn refrigerator OFF.
2. Empty all the lower door bins to lighten load on door.
3. Remove the left or right lower food compartment door:
 - a. Remove hinge pin while holding the door closed.
 - b. Pull the door out to clear the lower hinge, then lower the door to free it from its upper hinge pin.
4. Remove the lower hinge. The hinge is attached by three 5/16 in. hexhead bolts.

NOTE: If the hinge is bent, replace the hinge.

5. Clean the surface that was covered by the hinge. Allow the surface to dry completely before continuing.
6. Install the adhesive shim (P/N 624701):
 - a. Peel off the adhesive backing.
 - b. Install the shim adhesive side down as shown in Figure 1.
 - c. Press the shim firmly into place for a few seconds.

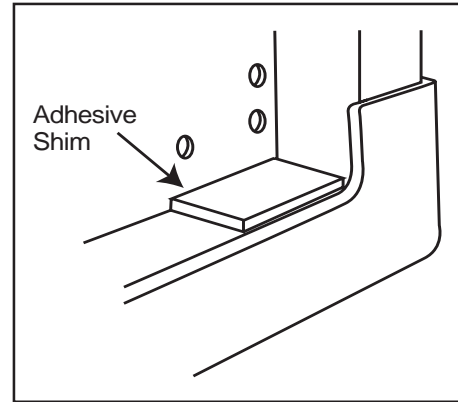


Figure 1. Shim placement (on both sides of cabinet)

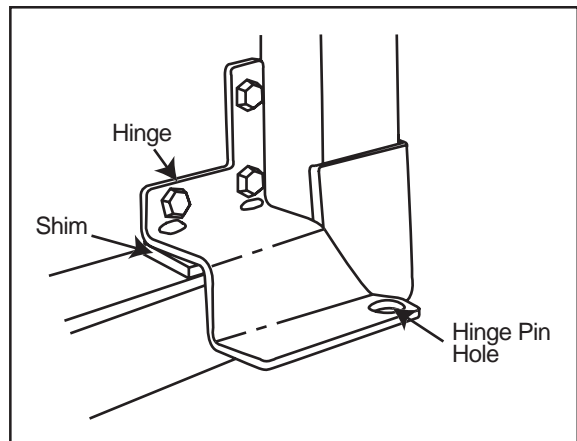


Figure 2. Hinge installation (on both sides of cabinet)

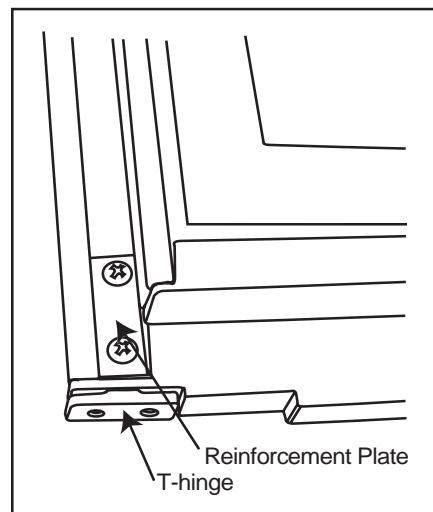


Figure 3. Reinforcement plate position (on both doors)

7. Reinstall the hinge onto the cabinet. See Figure 2.
8. Install the metal reinforcement plate. See Figure 3.
 - a. Remove the two Philips head screws from the lower corner of the door at the T-hinge.
 - b. Orient the reinforcement plate so that the side with the holes closer to the edge is closer to the center of the door.
 - c. Install the plate aligning the plate's holes with the screw holes.
 - d. Reinstall the screws.
9. Install the door onto the upper hinge.

16. Install the hinge pin. See figure 5b. It may be necessary to slightly move the lower end of the door or the plastic shim to align the hinge pin to the mounting plate threads. *Do not overtighten the hinge pin!*
17. Repeat steps 2 through 16 to adjust the remaining door.
18. Turn refrigerator ON after both doors have been adjusted.

Technical Assistance:

Please contact NORCOLD Technical Assistance if further assistance is needed to complete this procedure:

- Telephone: 1-800-444-7210
- World Wide Web: www.norcold.com/cda

 **CAUTION!**

Hold the door firmly against the cabinet during reinstallation! Without the hinge pin installed the door can fall and may cause personal injury or property damage.

10. Mount the door on the lower hinge in the closed position.
11. Insert the tip of a 1/4 in. size flat blade screwdriver as shown in Figure 4.
12. Apply slight downward pressure on the screwdriver to hold open a slight gap between the hinge and the door. See Figure 4.
13. Insert the plastic washer and center it on the existing bushing at the hinge pin hole. See Figure 4.
14. Remove the screwdriver to close the gap. Make sure the plastic washer stays in place.

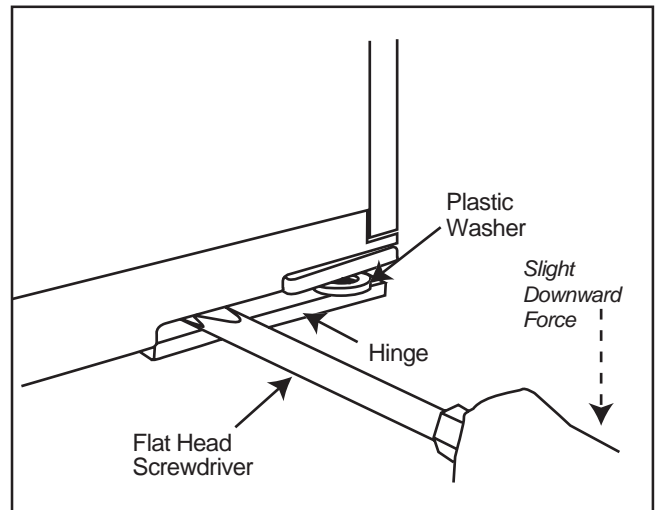



Figure 4. Plastic washer insertion (on both doors)

 **WARNING!**

Do not install the hinge pin without applying threadlocking compound to the threads! The threadlocking compound prevents the hinge pin from loosening and falling out. Not applying this compound could cause the hinge pin to unthread and the door to fall off the hinge, which may cause personal injury and/or property damage.

15. Apply a drop of threadlocking compound to the hinge pin threads. See Figure 5a.

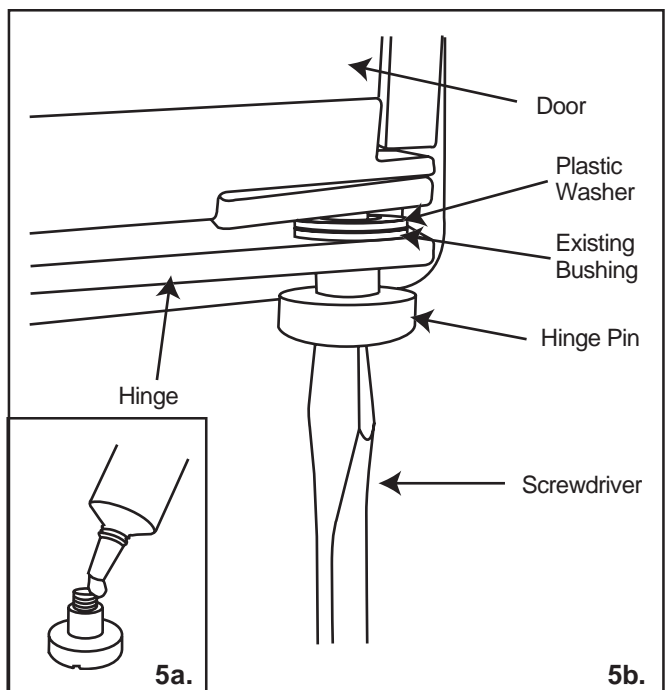


Figure 5a. Threadlocker application (on both pins)
Figure 5b. Hinge pin installation (on both doors)

 **CAUTION!**

Do not overtighten the hinge pin! Overtightening the hinge pin can cause the threads to strip.