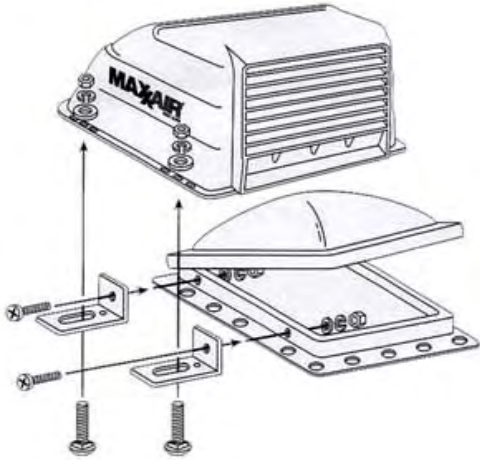


Maxxair Vent Cover Installation Guide



NOTE: All hardware provided with MaxxAir's Zero-Leak Mounting System is made of stainless steel or aluminum for durability and long life.

1. Place the MaxxAir Vent Cover over the roof vent with the louver area facing the rear of the vehicle. After verifying that the Vent Cover is centered over the roof vent, trace on your roof (*with a pencil*) the location of the slots in the MaxxAir Vent Cover's mounting flange.
2. Position a mounting bracket on your roof so that the slot in the bracket intersects one of the slot locations traced on the roof. For maximum strength place the mounting brackets as close as possible to the outside corner of your existing roof vent frame.
3. Mark the location of the screw hole in the bracket onto your roof vent frame. Drill through the roof vent frame using a 3/16" dia. drill bit. Place one of the carriage bolts upward through the slot in the bracket and fasten the bracket to the roof vent wall using the small bolt provided. The small washer, lockwasher, and hex nut should be placed on the inside of the roof vent frame wall. Install two brackets on each side of your roof vent as shown in the drawing.
4. Place the Vent Cover on the four upward pointing carriage bolts and fasten using the large washers and hex nuts provided. You may have to push the head of the carriage bolt up into the bracket slot to prevent the carriage bolt from turning during tightening of the hex nuts.

PLEASE NOTE:

A slight air gap between the base of the MaxxAir Vent Cover and the RV roof after installation is normal and permits condensation to escape.