

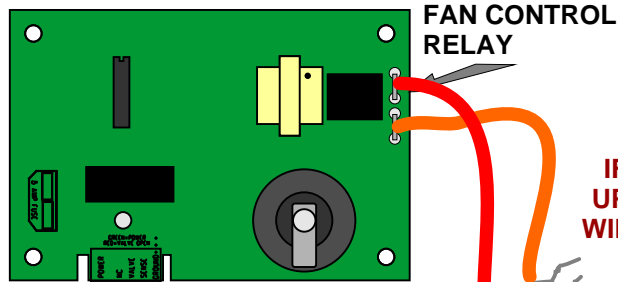


Dinosaur Electronics

1160 SE 27th St.
Lincoln City, OR 97367
Ph. (541) 994-4344 Fax: (541) 994-2796

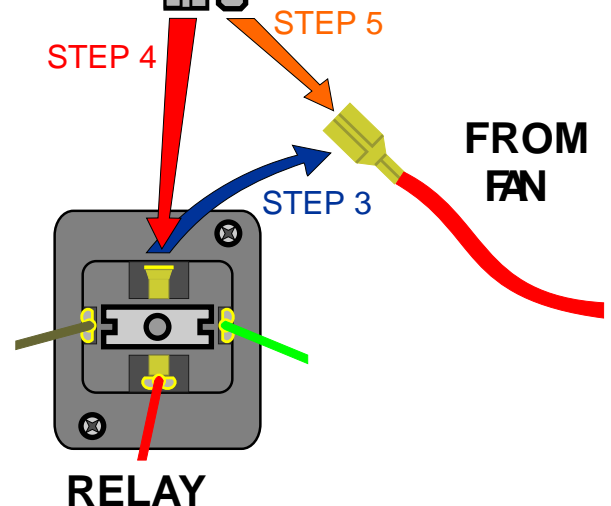
UIB FAN CONTROL LARGE AND SMALL INSTALLATION GUIDE


WARNING
USE ONLY IN 12V DC
FURNACES,
NOT IN AC POWERED
PARK MODELS.




WARNING
IF YOU DON'T HOOK
UP RED AND ORANGE
WIRES AS SHOWN,
THE BOARD WILL NOT
OPERATE.

1. Install board as you would any other.
2. Trace wire from fan motor to the point where it plugs onto the time-delay relay.
3. Unplug fan wire from time-delay relay.
4. Plug red wire from board onto time-delay relay.
5. Plug orange wire from board into wire from fan.
6. You're done!



THIS BOARD IS COVERED BY A 3 YEAR FACTORY WARRANTY.

ADDITIONAL NOTES:

The UIB "Fan Control" comes from the factory with these attributes:

20 second delay- Waits 20 seconds after fan power is applied before attempting ignition.

DUAL SENSE- Will simultaneously sense a flame current of .2 microamps through the local or remote electrode.

3-TRY- Comes as a true 3-try board, but can be converted to a single-try board by cutting and removing the configuration jumper.

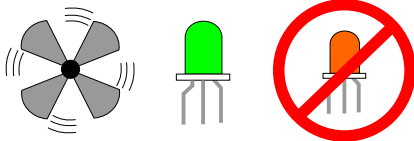
FAN CONTROL BOARD TROUBLESHOOTING

SYMPTOMS:

PROBABLE CAUSES:

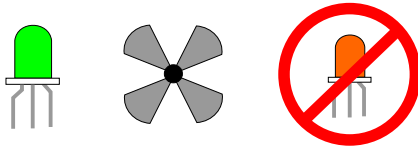
Fan comes on, Green light comes on, but no fire.

Red and Orange wires on UIB are not connected, or connected incorrectly.



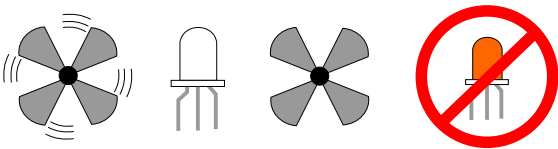
Green light comes on, but fan does not, and board never fires.

Sail switch is stuck closed or is bypassed. (power is applied to board connector before fan starts)



Fan comes on for 10 minutes, then goes off. Green light never comes on, board never fires.

Sail switch does not close properly, or limit switch is faulty.



Fan comes on, Green light comes on, board fires, Furnace lights, but board goes back to green, (tries 2 more times if jumper is not cut) and shuts off fan after 1 minute.

Board is not sensing the flame;

Check electrode condition and spacing.

Check fuel/air mixture.

