

WIRING DIAGRAMS

Diagram 1976F119
Electronic Wall Thermostat Assembly (12 VDC)

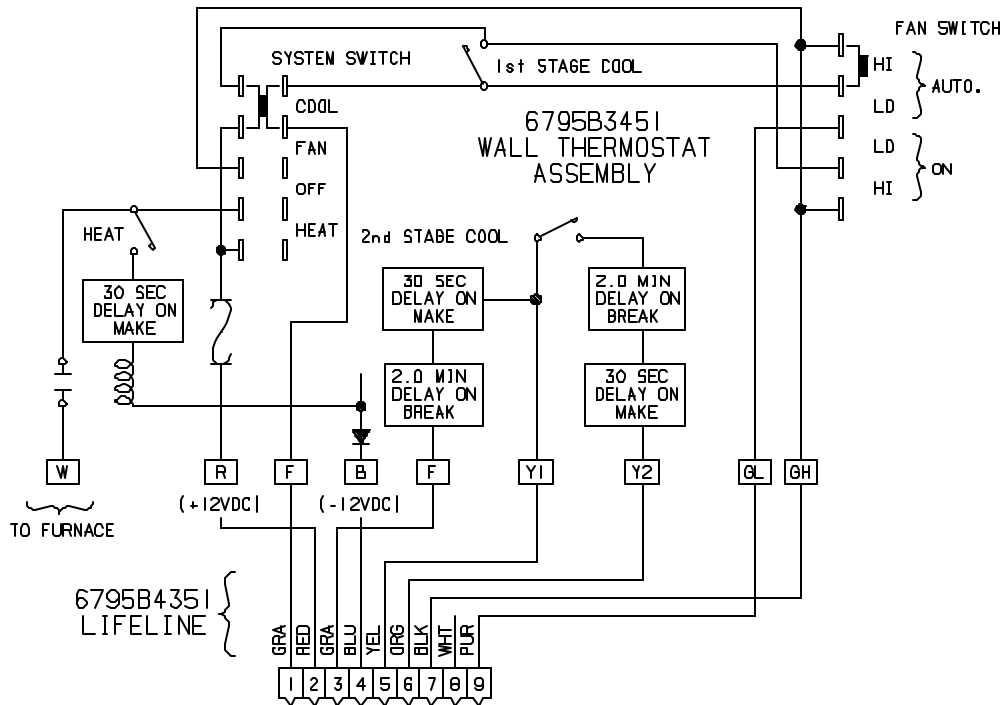
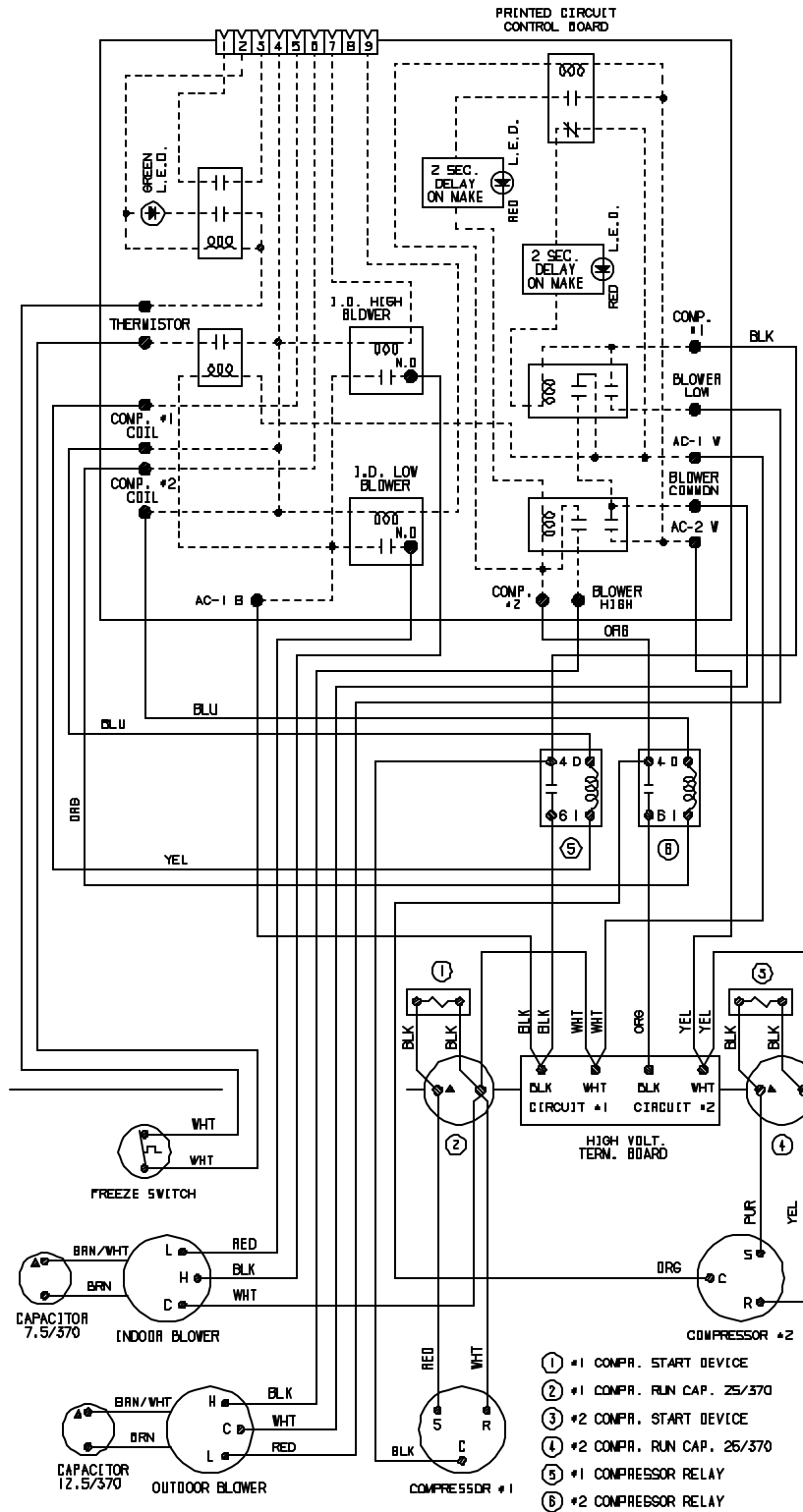


Diagram 1976F119

6536 Series Two Ton Packaged A/C



▲ IDENTIFIED TERMINAL

NOTE: HIGH VOLT. WIRING (115 V) SHOWN BOLD
 LOW VOLT. WIRING (12 V) SHOWN FINE
 P.C. BOARD CIRCUIT SHOWN DASHED