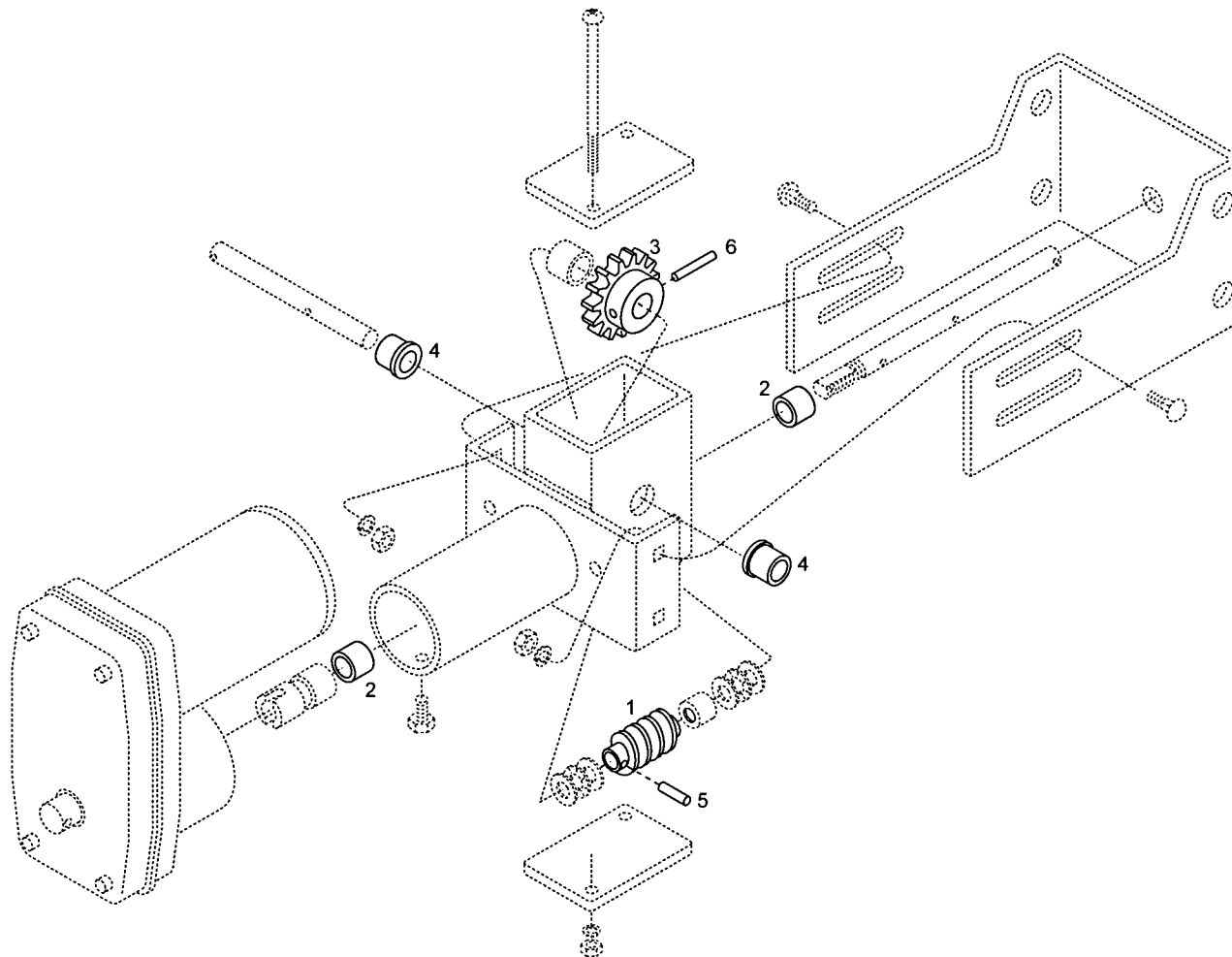


barker

BARKER MANUFACTURING CO.
BATTLE CREEK MI 49016



Item	Part	Req'd	Description
1	22842	1	WORM
2	22839	2	BEARING, PLASTIC
3	22841	1	WORM GEAR
4	23301	2	FLANGE BEARING
5	624-0002	1	SPRING PIN (3/16")
6	624-0014	1	SPRING PIN (5/16" X 1 1/4")

TITLE:		ROLL OUT WORM DRIVE	
COMPANY:			
MODEL #:	DATE:	DRAWING #:	
28158	20 OCT 03	28159	
REVISION LETTER:	ECN#:	APPROVED:	
A	11956		