



T.I.P. Troubleshooting Information on Power Gear

FLUID SENSOR REPLACEMENT PROCEDURE

For kit no. 500199, 500342 and 500450

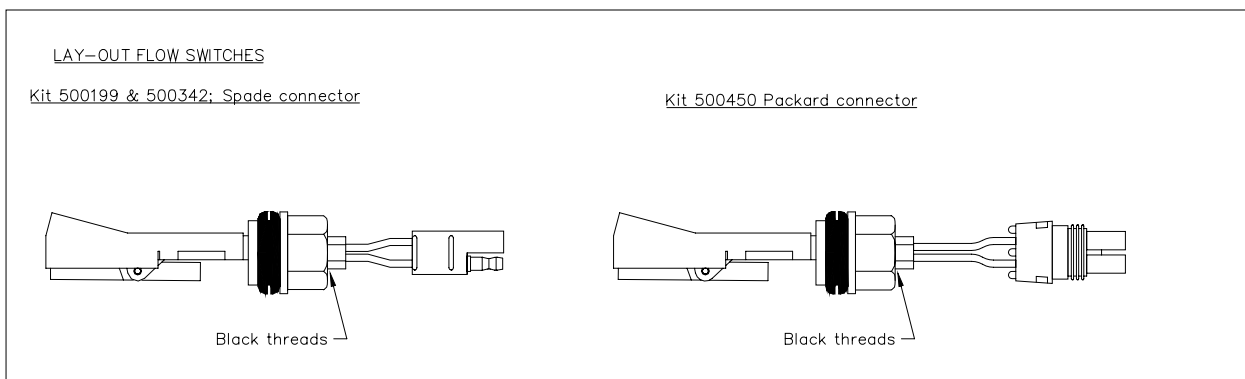
The following fluid sensor installation procedure is for power units with a round tank reservoir, manufactured after January 1994. The procedure is being updated due to the release of a new fluid sensor and connector design. Included in the fluid sensor kit will be a fluid sensor assembly and a connector adapter.

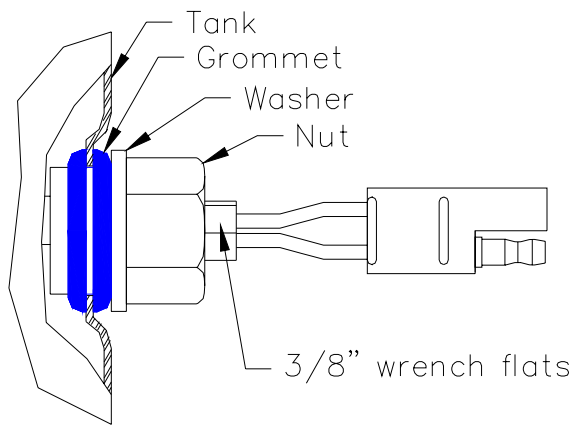
Removal of old switch

- 1) Clean drain port area.
- 2) Lower front jack legs until contact with ground is felt **or** remove drain fitting and drain a minimum of 1 1/2 quarts of oil from tank.
- 3) Clean area around fluid sensor.
- 4) Remove fluid sensor nut and washer.
- 5) Hold onto wires and push fluid sensor into tank to loosen grommet. **Use caution so that the fluid sensor does not drop into the tank.**
- 6) Remove old grommet from tank.
- 7) Carefully pull fluid sensor out of reservoir, ensuring that fluid sensor bobber does not hang on tank wall.
- 8) Disconnect fluid sensor from pump harness wiring.

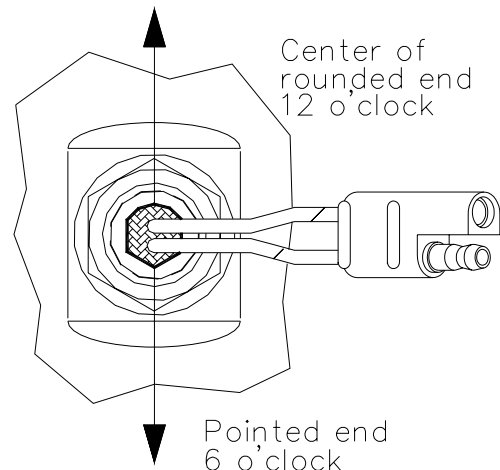
Installation of new switch

- 1) Move grommet, washer and nut off fluid sensor threads and onto the wires.
- 2) Insert fluid sensor into the power unit tank. **Use caution so that the fluid sensor does not drop into the tank.**
- 3) Slide grommet into the hole such that the tank wall is located in the grommet groove.
- 4) Gently pull and wiggle wires to bring the thread of the fluid sensor body out of the tank through the grommet hole.
- 5) While gently pulling on the wires, move the washer and nut onto the threads and tighten the nut until snug.
- 6) Locate the wrench flats on the fluid sensor and rotate the fluid sensor until the rounded end is located up and at a 12 o'clock position. (See diagram)
- 7) Hold fluid sensor in the 12 o'clock position with a 3/8" open end wrench and torque nut to 15 to 20 inch-pounds. (Approximately 1 1/4 to 1 1/2 turns)
- 8) Connect wires to wire harness "brown" and "red" leads, if necessary, use adapter for spade connectors and grease spade connections. The switch wires are not polarity sensitive and can be connected in either direction. Refer to wiring diagram in owners manual.
- 9) Refill tank per procedure in owners manual.





Side view
Installed float switch



Face view
Installed float switch