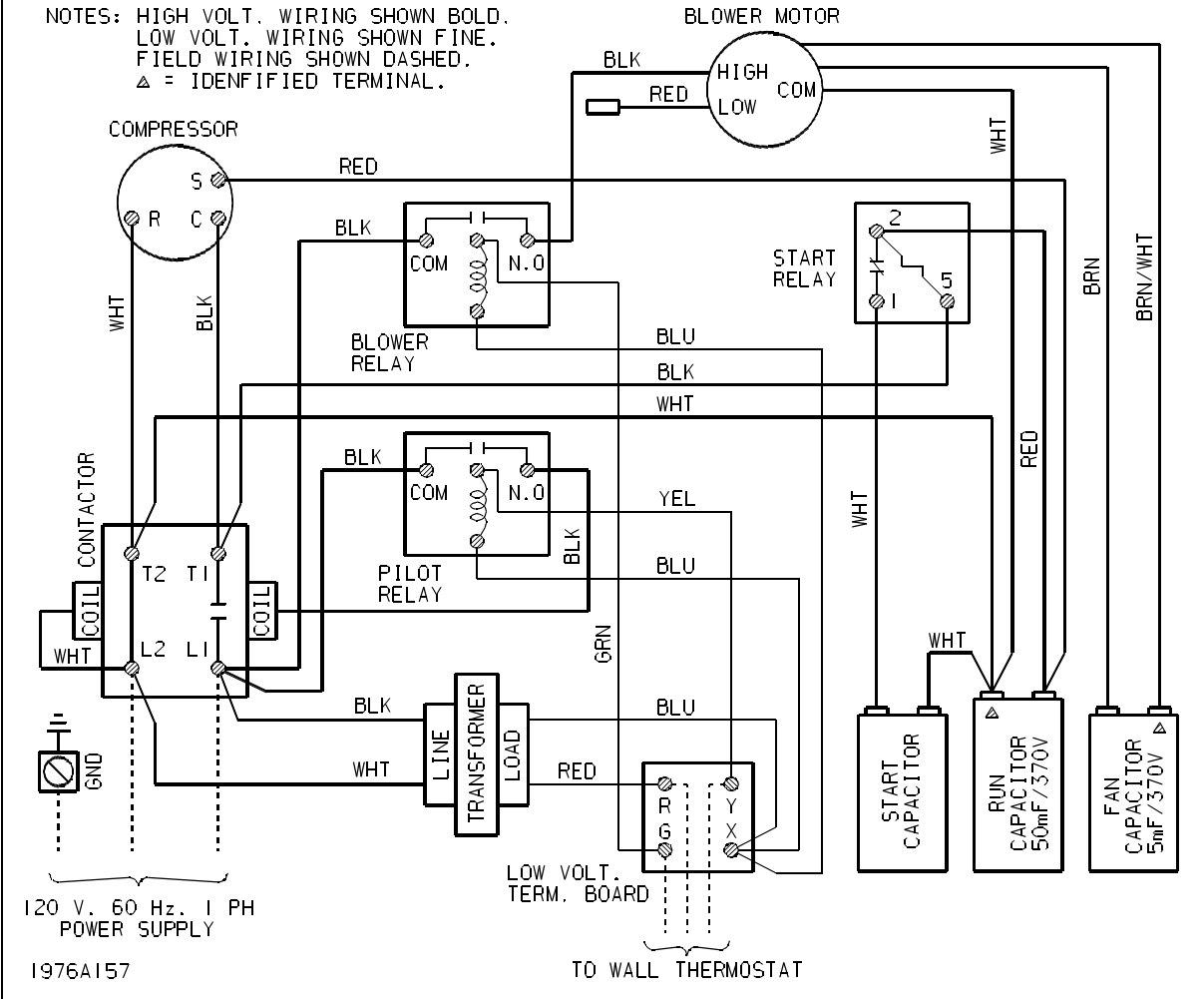


NOTES: HIGH VOLT. WIRING SHOWN BOLD.
 LOW VOLT. WIRING SHOWN FINE.
 FIELD WIRING SHOWN DASHED.
 Δ = IDENTIFIED TERMINAL.



120 V, 60 Hz, 1 PH
 POWER SUPPLY

1976A157

LOW VOLT.
 TERM. BOARD
 TO WALL THERMOSTAT