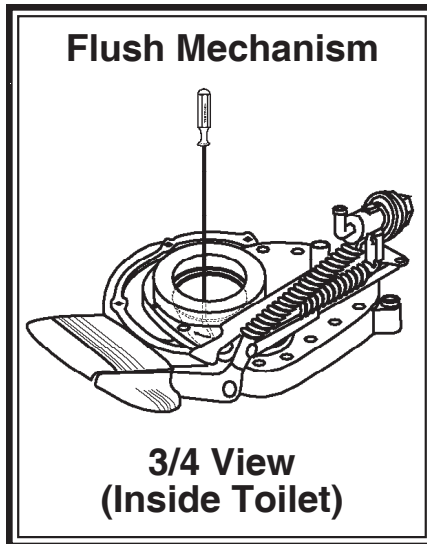


Instructions for Thetford Part #33011 ("Bent Screwdriver")

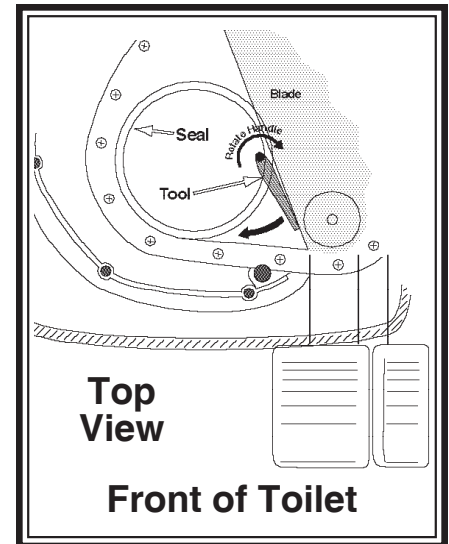
Use the tool to clean groove:

1. Depress the two foot pedals to slide the blade back and fully expose the seal groove for cleaning.
2. Insert the tool at the "4 o'clock" position.
3. Rotate the tool clockwise to scrape out the debris. (You may experience resistance which may require added twisting force to remove the buildup.)
4. The tool should leave seal at about the "6 o'clock" position.



Note: Since cleaning of the seal groove is more pleasant after draining, rinsing and deodorizing the holding tank, we recommend that this be a routine procedure, rather than an on-the-road fix.

Note: Take care to avoid letting Screwdriver drop down toilet



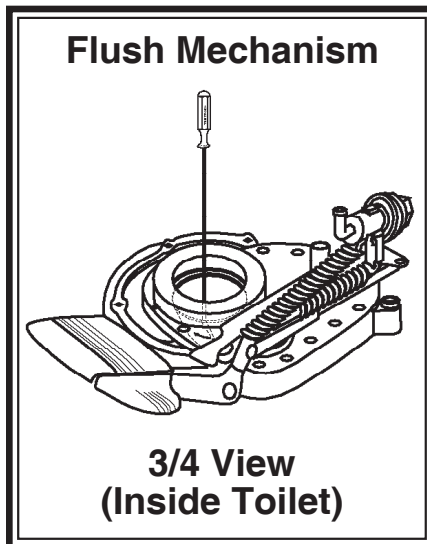
into holding tank. If you are concerned this may happen, tie a string around Screwdriver before doing work, so that you may retrieve Screwdriver if it should fall.

Form No. 24739
Rev. 7/02

Instructions for Thetford Part #33011 ("Bent Screwdriver")

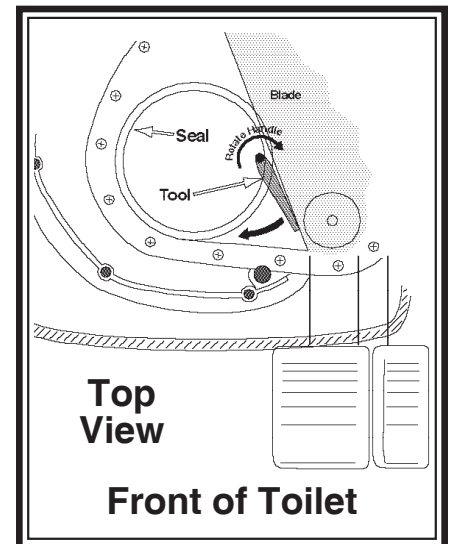
Use the tool to clean groove:

1. Depress the two foot pedals to slide the blade back and fully expose the seal groove for cleaning.
2. Insert the tool at the "4 o'clock" position.
3. Rotate the tool clockwise to scrape out the debris. (You may experience resistance which may require added twisting force to remove the buildup.)
4. The tool should leave seal at about the "6 o'clock" position.



Note: Since cleaning of the seal groove is more pleasant after draining, rinsing and deodorizing the holding tank, we recommend that this be a routine procedure, rather than an on-the-road fix.

Note: Take care to avoid letting Screwdriver drop down toilet



into holding tank. If you are concerned this may happen, tie a string around Screwdriver before doing work, so that you may retrieve Screwdriver if it should fall.

Form No. 24739
Rev. 7/02