

Seaward *Products*

LP GAS COOKTOP

OWNER'S MANUAL

Installation – Operation - Maintenance



Princess Model 1273



Princess Model 2276



Princess Model 2277



Princess Model 3276



IMPORTANT:

Read all instructions before operating cooktop.

Save the Owner's Manual / Installation instructions for local inspector's use.

Installer:

Provide this manual to the vehicle owner.

Vehicle Owner:

Keep this manual for future reference.

PRINCESS MODELS:

1273, 2276, 3276, G3278-1000, G3278-1001
2277-1000, 2277-1001

2277NS-1002, 2277NS-1103

Serial Number: _____

WARNING

If the information in this manual is not followed exactly, a fire or explosion may result causing property damage, personal injury or death.

FOR YOUR SAFETY

Do not store or use gasoline or other flammable vapors and liquids in the vicinity of this or any other appliance.

WHAT TO DO IF YOU SMELL GAS

- Evacuate all persons from vehicle.
- Shut off the gas supply at the gas container or source.
- Do not touch any electrical switch, or use any phone or radio in the vehicle.
- Do not start the vehicle's engine or electrical generator.
- Contact the nearest gas supplier or qualified service technician, contact nearest fire department.
- Do not turn on the gas supply until the gas leak(s) has been repaired.

Installation and service must be performed by a qualified installer, service agency or the gas supplier.

FIRE HAZARD

Do not obstruct the flow of combustion and ventilation air.

PERSONAL INJURY HAZARD

To eliminate the risk of burns or fire by reaching over heated surface units, cabinet storage space located above the surface unit should be avoided. If cabinet space is to be provided, the risk can be reduced by installing a range hood that projects horizontally a minimum of 5 inches beyond the bottom of the cabinets.

Reaching over a heated cooking surface could result in a serious burn or other personal injury.

CARBON MONOXIDE POISONING

- Do not use any cooking appliance for space heating because of potential danger to occupants of the vehicle and damage to the cooktop.
- A window or air vent should be open slightly while using any cooking appliance. Gas flame consumes oxygen which must be replaced to assure proper combustion and prevent carbon monoxide.

Note to consumer: Have the installer or dealer show you where the main gas shut off valve is located so that you will know how and where to turn off the gas supply when necessary.

IMPORTANT INSTRUCTIONS

Save the Owner's Manual / Installation instructions for local inspector's use.

NOTE: LPG is heavier than air and if allowed to settle, accumulate and if ignited WILL CAUSE AN EXPLOSION!!

Install cooktop, cylinder, and regulating system in compliance with ABYC A-1 "Marine LPG – Liquid Petroleum Gas Systems". For RV applications the installation must conform to ANSI Standard Z21.57. A copy may be obtained from the following sources.

FOR MARINE

American Boat & Yacht Council
P.O. Box 806
Amityville, N.Y. 11701

FOR RECREATIONAL VEHICLES (RV)

American National Standards Institute
CSA America
8501 East Pleasant Valley Rd
Cleveland, OH 44131

CYLINDER, REGULATING SYSTEM, FUEL LINE INSTALLATION

CYLINDERS

Cylinders used in LPG systems shall be constructed, tested, marked, maintained and re-qualified for continued service in accordance with DOT regulations.

No repairs or alterations shall be made on any cylinder.

Cylinders that have been subject to fire or physical damage shall not be returned to service unless re-qualified.

LPG cylinders shall be permanently and legibly marked in a conspicuous manner on the outside to show the correct mounting position. The method of mounting shall be designed to position the cylinder correctly.

The cylinder shall be returned to an authorized fuel distributor for refilling.

Cylinders shipped by land or air freight must be packed and marked in accordance with DOT regulations.

Only systems using LPG cylinders of the vapor withdrawal type are permitted. Cylinders designed or installed so as to admit liquefied gas into any other part of the system are prohibited.

CYLINDER VALVES AND SAFETY DEVICES

Each LPG cylinder shall have manually operated shut-off valve threaded directly into the cylinder outlet, the valve outlet conforming to CGA connection number 510. The valve shall be equipped with a securely attached hand wheel for convenient operation without the use of a separate wrench.

For Marine use. A readily accessible shut-off valve or electrically operated solenoid shall be installed in the low or high pressure supply line to each attended appliance. The valve or its control shall be operable from within the vicinity of the appliance and its control readily accessible in the event of a fire at the appliance. If the cylinder valve is readily accessible from the vicinity of the attended appliance, the above shut-off valve on the supply line is not required.

All LPG cylinders shall be provided with a safety relief device specifically designed for LPG as required by DOT regulations.

A threaded protective cap and retaining device to protect the threads of the cylinder valve during transit and storage shall be supplied.

In addition to the valve required at the cylinder, a dual cylinder system shall be provided with a two-way positive shut-off valve at the cylinder manifold.

Cylinder valves and safety relief devices shall be installed in, or be directly connected to, the vapor space of the cylinder.

The LPG tank valve outlet fitting does not require pipe dope or Teflon tape and should be attached to the regulation system nut dry and clean to keep foreign materials out of the system. When assembling the regulation system, use a high quality sealant only on all male pipe threads.

REGULATING SYSTEM

Each LPG system shall be provided with a regulating device, specifically designed for use with LPG.

The LPG regulating device shall be adjusted to deliver gas at any or each appliance, under varying appliance loads, at a pressure not in excess of 11 inches water column, approximately 0.397 pounds per square inch gauge.

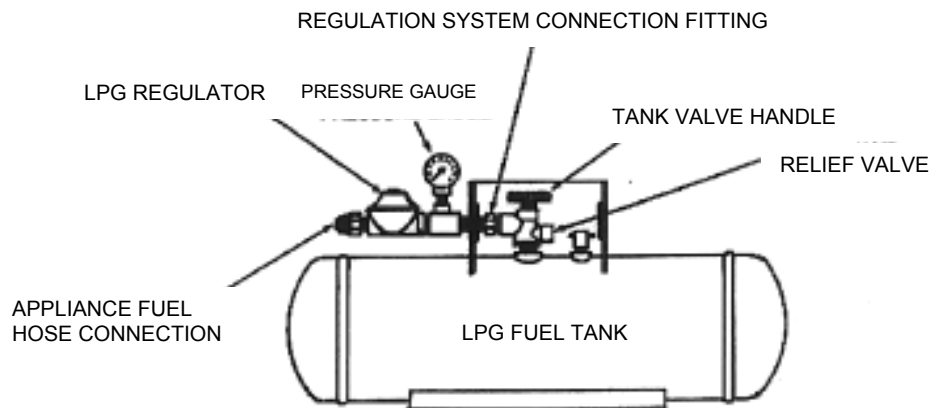
Each regulating device shall be fitted with a high flow check valve located on the cylinder pressure side of the regulating device. In the event of a regulator malfunction, the high flow check valve must actuate and control gas flow through the vent or vent system to the open atmosphere. This check valve must maintain this gas flow within the designed pressure limits of the vent system.

For Marine use. Each regulating device shall be fitted with a 0 to 250 PSI pressure gauge. The gauge shall read the cylinder pressure side of the regulating device. **See page 14 for general leak down procedures for RV or Marine**

NOTE: The purpose of the gauge is to provide a quick and easy way to test the system for leakage.

In addition to, but not substituting for the pressure gauge, a leak detector may be installed in the system.

A low-side pressure relief device shall be integral with each regulating system. It shall discharge at between two times and three times the delivery pressure of the regulator.



FUEL SUPPLY LINES

The fuel supply line system and its components, as installed, shall be designed to be compatible with LPG and to withstand the stresses and exposure to the marine environment. One type is annealed copper tubing, standard type, Grade K or L, conforming to specifications for seamless copper water tube. (ASTM B88-75a)

The flexible LPG fuel line shall comply with UL21.

The hose shall have end fittings designed to use with that hose.

Fuel supply lines shall be protected from physical damage and shall be accessible for inspection.

Fuel supply lines shall be supported by clips or straps or other suitable means to prevent vibration damage. The clips or straps or other devices shall be corrosion resistant and shall be designed to prevent cutting, abrading or damage to the lines and shall be compatible with fuel supply line material.

Fuel supply lines shall be protected by close-fitting grommets, sleeves or sealants of non-abrasive material wherever they pass through decks, watertight or waterproof bulkheads and the method used shall be vapor tight. Fuel supply lines passing through interior bulkheads that need not be watertight shall be installed so that the bulkheads will not cut, abrade or damage the line.

Fuel supply lines shall be continuous lengths of tubing, piping or hose from the regulating device, solenoid valve or leak detector to the appliance or to the flexible section at the appliance. Each appliance shall be served by a separate supply line which shall originate inside the cylinder housing or locker.

LPG fuel supply lines shall not be used for an electrical ground.

LOCATION – CYLINDER AND CONNECTED DEVICES

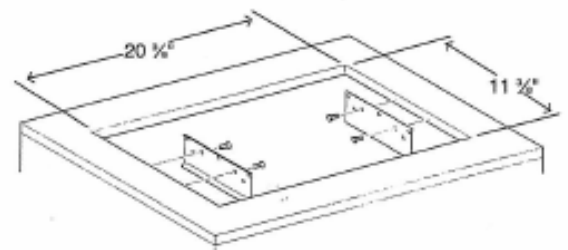
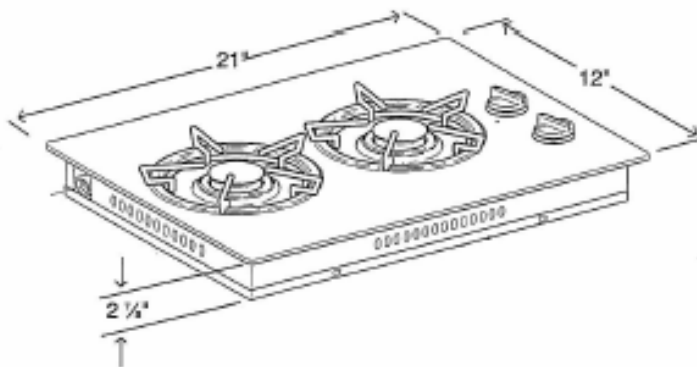
LPG cylinders, cylinder valves, safety devices and regulating equipment shall be located so that escaping vapor cannot reach machinery spaces, accommodations or other enclosed spaces.

INSTALLATION

Installation must conform with local codes or in the absent of local codes, with the American Standard for Recreational Vehicles, ANSI A119.2 and article 551, ANSI/NFPA 70. For Marine installation, refer to ABYC standard A-1, A-3, A-26 and A-30.

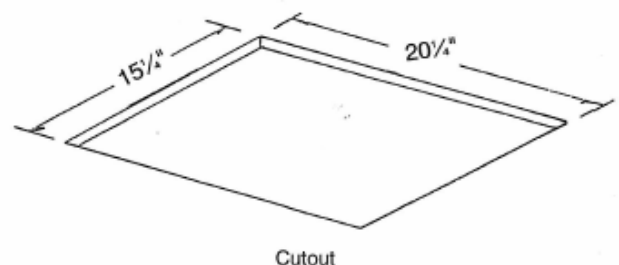
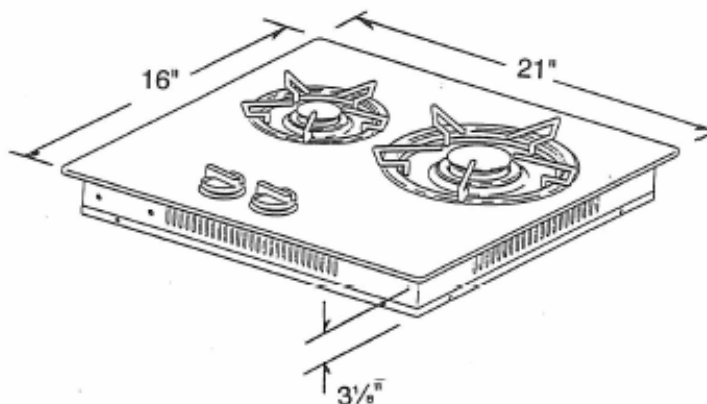
It is the responsibility of the installer to comply with the insulation clearances specified on the serial / rating plate. The serial / rating plate is located on the bottom of cooktop.

Check location where cooktop will be installed. The location should be away from strong draft areas, such as windows, doors and strong heating vents or fans.



Princess Model 2276

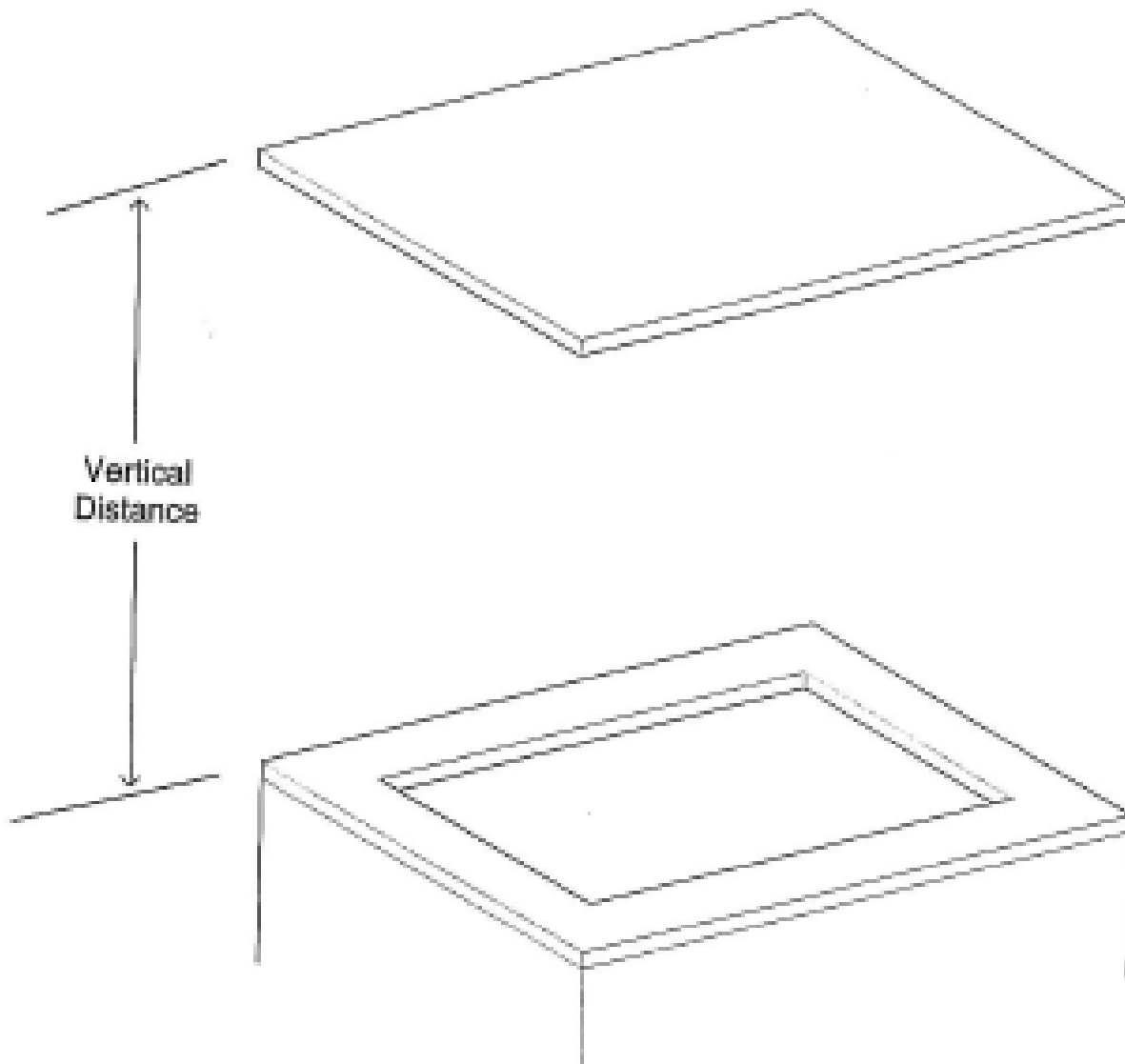
Attach mounting brackets to the 11 3/8" sides of the cutout. Angled bracket on the wire spring side and the hemmed bracket on the clamping bracket side.



Princess Model 2277

CAUTION

The **minimum vertical distance** to combustible material above the cooktop is 30 inches. This distance may be reduced to 24 inches if the combustible material above the cooktop is protected by no less than ¼ inch thick insulating millboard covered with 28 gauge sheet metal extending 9 inches beyond the sides of the cooktop and covering the entire bottom of the material to be protected extending over the top of the cooktop. In lieu of 28 gauge sheet metal, a hood, 28 gauge sheet metal may be used. Hood shall not be less than the width of the cooktop and shall be centered over the cooktop and cover the entire bottom of the material to be protected.



The **minimum horizontal distance**, outside edge to vertical walls:

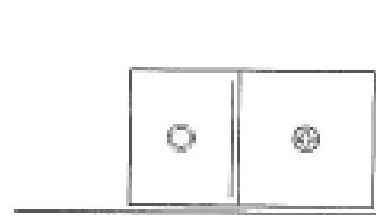
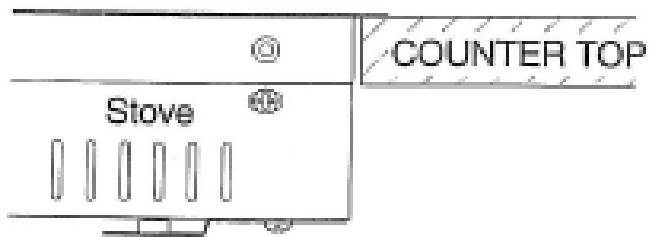
Back: 2"

Side: 2"

INSTALLATION

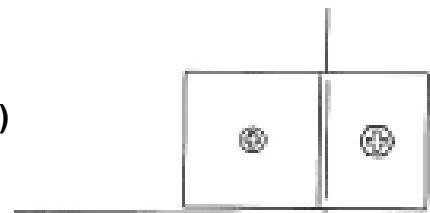
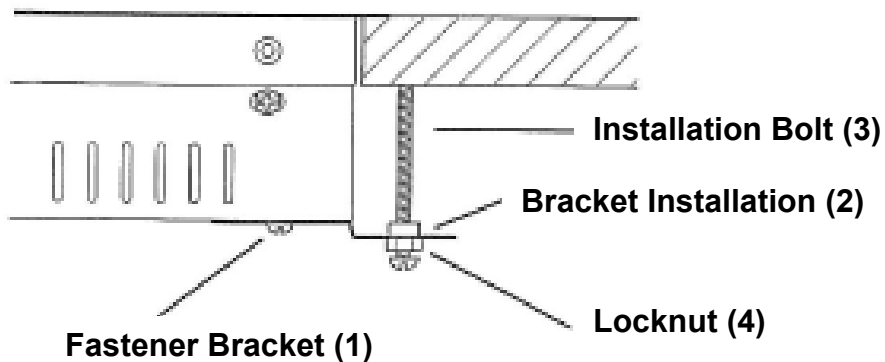
1. Make the cutout.
2. Insert the cooktop.
3. Loosen the fastener, bracket (1).
4. Rotate the bracket (2) outward.
5. Tighten the fastener, bracket (1).
6. Screw the installation bolt (3) until the cooktop is secured.
7. Tighten the locknut (4).

To remove the cooktop, reverse the above sequence.



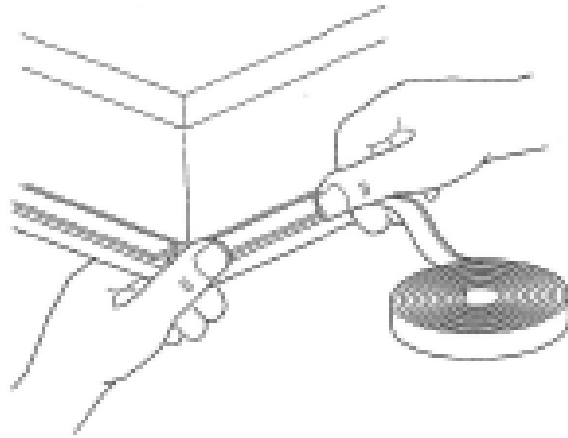
Bottom View

Bracket Position Inserting and Removing the Stove

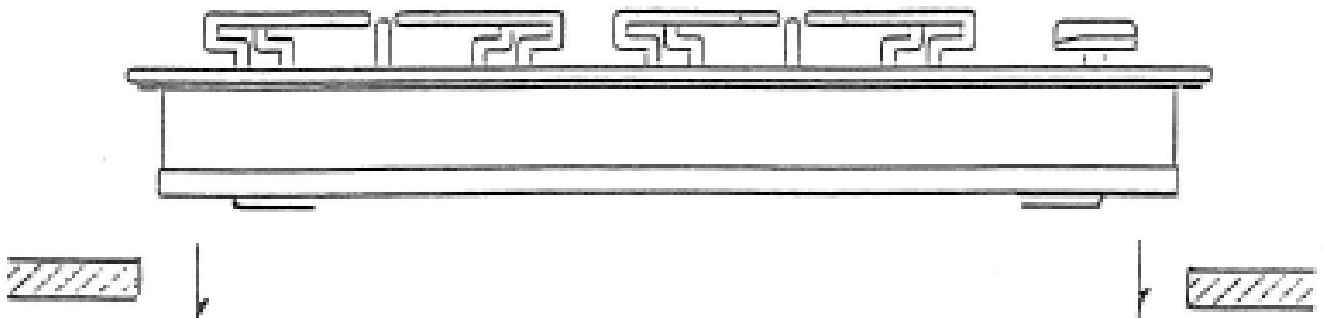


Bottom View

Bracket Position Stove Installed and Secured



- Place the cooktop upside down on a protected surface.
- Remove the paper backing from the foam sealing strip.
- Place the strip on the underside of the glass.
- Continue until foam strip completely outlines the edges of the cooktop.



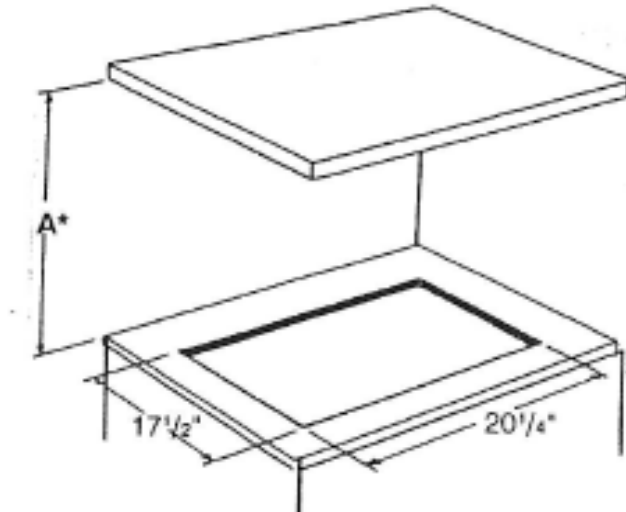
Insert the cooktop into the cutout

D/C ELECTRICAL CONNECTION

Ignition Wires: Red to (+) Positive
White to (-) Negative

Power Source: 9 to 12 VDC **ONLY**

***SEE PAGE 1 FOR
MINIMUM HEIGHT
FOR DIMENSION A**

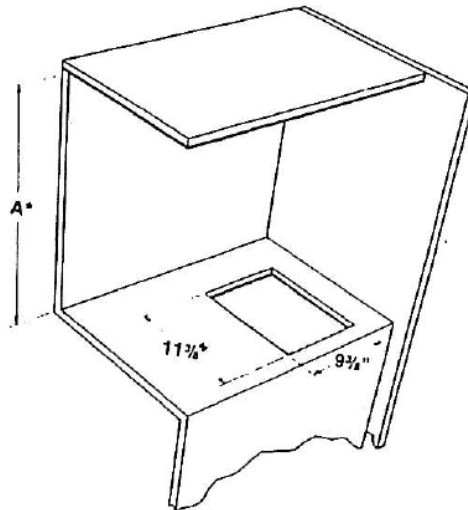


Princess Model 3276

Procedure is similar to the model 2276.

The differences being the cutout dimensions and the securement of the unit

1. Locate cooktop according to the installation diagram.
2. Cut out top to dimensions shown.
3. Install the two installation brackets as shown. The top edge of the bracket must be flush to the counter top surface for the proper engagement of the 3M mounting pads.
4. Set cooktop into cutout. Press down to engage 3M pad on glass top to pad on mounting bracket.



***SEE PAGE 1 FOR
MINIMUM HEIGHT
FOR DIMENSION A**

Princess Model 1273

LEAK CHECK & LEAK DOWN TEST

Check all connections for gas leaks with a non-corrosive and non-toxic leak detection fluid. Test the unit by turning on the LPG tank and observing the pressure gauge. Turn the tank valve off and note the pressure. If there is no drop on the gauge in 3 minutes, the system is free of leaks.

Ammonia, which is present in some soaps and detergents, attacks brass fittings. Undetectable at first, in a matter of months these fittings may develop cracks and leaks.

WARNING

DO NOT USE OPEN FLAME TO CHECK FITTINGS AND GAS LINES FOR LEAKS.

Checking for leaks with an open flame may result in a fire or explosion.

LINE PRESSURE TEST ABOVE 1/2 PSI

The cook top must be disconnected from the gas supply line system during any pressure testing in excess of 8 oz. per square inch. (1/2 psi)

TO LIGHT THE BURNERS

1. Push down the knob and turn counterclockwise to "IGNITE" position.
2. Hold the knob down fully until the spark ignites the gas and continue to hold the knob down for approximately 5 to 10 seconds. The thermocouple will be heated to activate the safety mechanism.

(**Does not apply to models 2277-1002 & 2277-1003)

3. Release the knob and set to desired setting.
4. To turn off the burner flame, turn the knob clockwise to "OFF" position.

*Thermocouple is not used in models 2277-1002 & 2277-1003

CAUTION

- Be sure your cooktop is installed properly.
- Do not operate cooktop if it is damaged or not working properly.
- Do not store flammable materials on or near the cooktop.
- Never leave lit burners unattended. A boil-over may result, causing smoke or fire.
- Do not use your cooktop for warming or heating the room.
- The handle of utensil should be positioned so that it is turned inward but not extending over adjacent burner.
- To reduce the risk of burns and ignition of flammable materials, the burner flame should not extend beyond the edge of the cooking utensil.
- Grease is flammable. Never allow grease to collect around top burners or cooktop surface. Wipe spillovers immediately.
- Only certain types of glass, glass / ceramic, earthenware, or other glazed utensils are suitable for cooktop use without breaking due to sudden change in temperature.
- Do not use water on grease fire. Smother the fire or flame or use baking soda, multipurpose dry chemical or foam type fire extinguisher.
- Children should not be left alone or unattended in area where cooktop is in use. Children should never be allowed to sit or stand on any part of the cooktop.
- Do not heat unopened containers. They could explode.
- Do not touch burners, grates or areas near cooktop after use. Units may be hot even though it may not be obvious. Areas near burners and grates may become hot enough to cause burns. During and after use, do not touch, or let clothing or other flammable material contact cooktop or areas near it until they have had sufficient time to cool.

CARE AND CLEANING

Regular cleaning with a soft cloth and a warm detergent solution is generally enough to keep your cooktop clean and beautiful. This is done when the cooktop is cool. Use a dry cloth or paper towel to clean splatters and spills when surfaces are warm.

GLASS

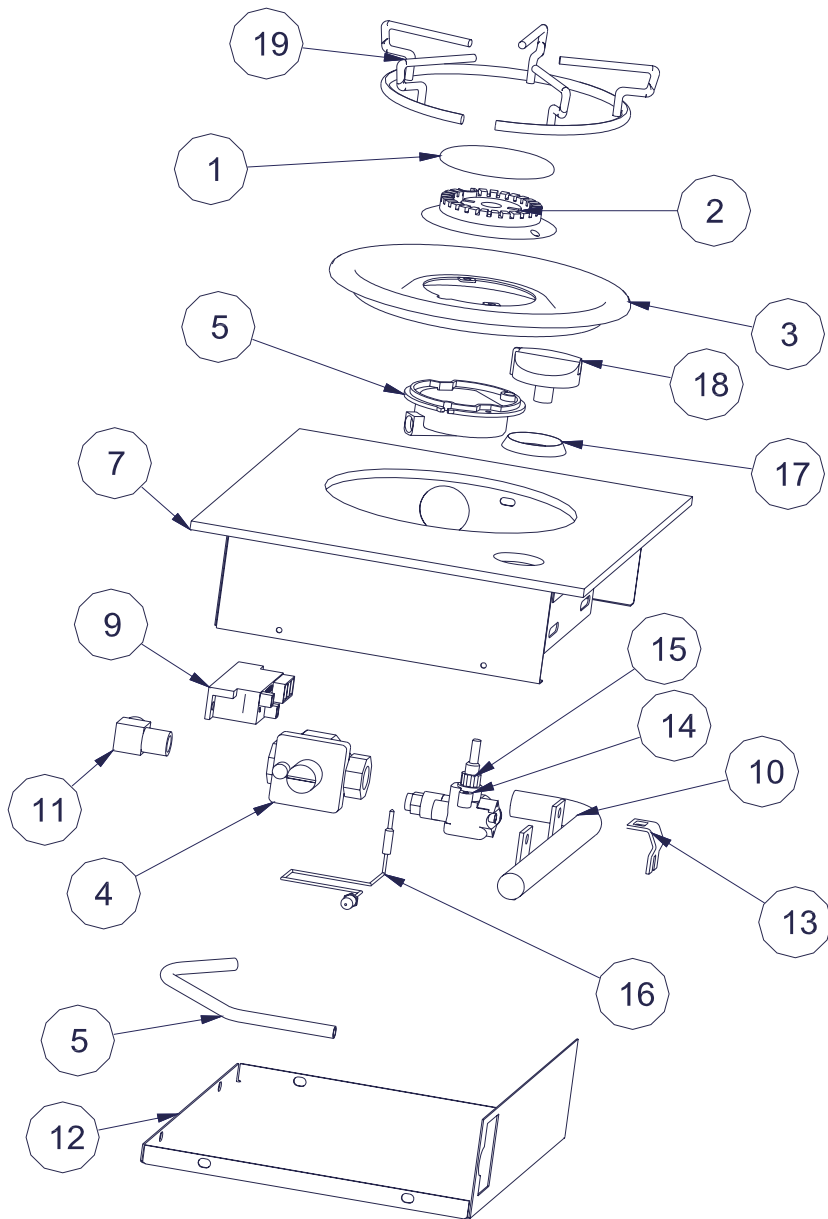
We recommend the use of *HOPE'S CLEANING CREAM* for care and maintenance of the glass surfaces. For more information about this product and a dealer near you, contact: *THE HOPE COMPANY, Inc. (800) 325-4026*

STAINLESS STEEL

The best way to clean metal surfaces on your stove is to wipe them down with a damp cloth, and then dry thoroughly, stubborn spots caused by spillage and discoloration from heat may be removed by the use of lemon juice, vinegar, or chrome polish. Care must be used to keep these away from porcelain enamel surfaces. NEVER use coarse cleaners, steel-wool scouring pads or metal brushes to clean chrome. These will make deep scratches on chrome. These scratches cannot be removed.

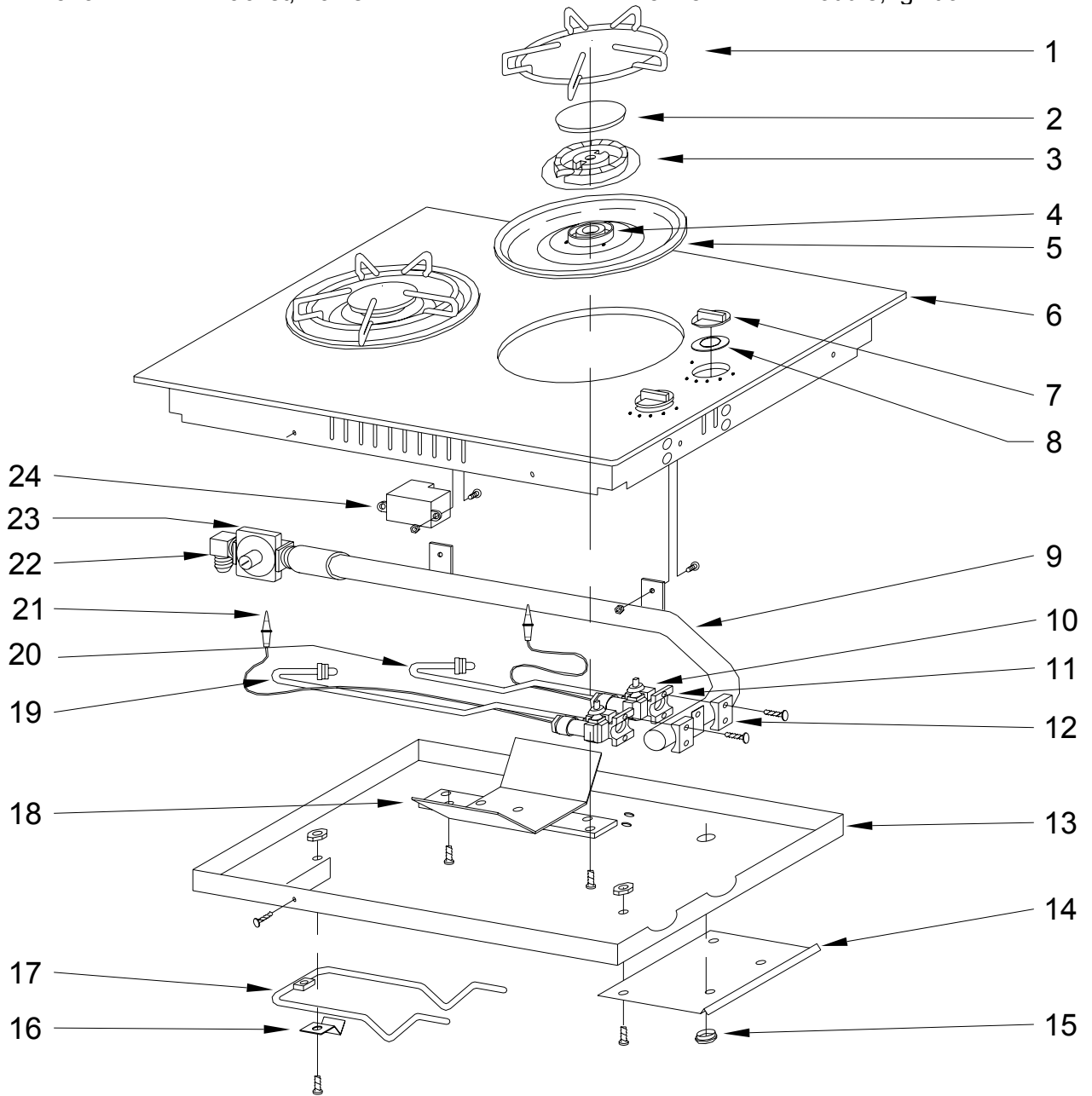
EXPLODED VIEW & PARTS LIST PRINCESS 1273

ITEM NO.	PART NO.	DESCRIPTION	ITEM NO.	PART NO.	DESCRIPTION
1	75422	Burner Cap	11	72906	Fitting
2	75421	Burner Base	12	73449	Cover
3	80716	Burner Spill Bowl	13	75431	Fixing Flange
4	73592	Regulator	14	75419	Gas Valve
5	75420	Burner	15	75427	Ignition Switch
6	75418	Thermocouple	16	75470	Fuel Line
7	80270	Assy. Glass Top	17	73884	Knob Washer
8	75505	Bracket, Burner (Not Shown)	18	80421	Knob, with Insert
9	75228	Ignition Module	19	73420	Grate
10	75290	Manifold			



EXPLODED VIEW & PARTS LIST PRINCESS 2276

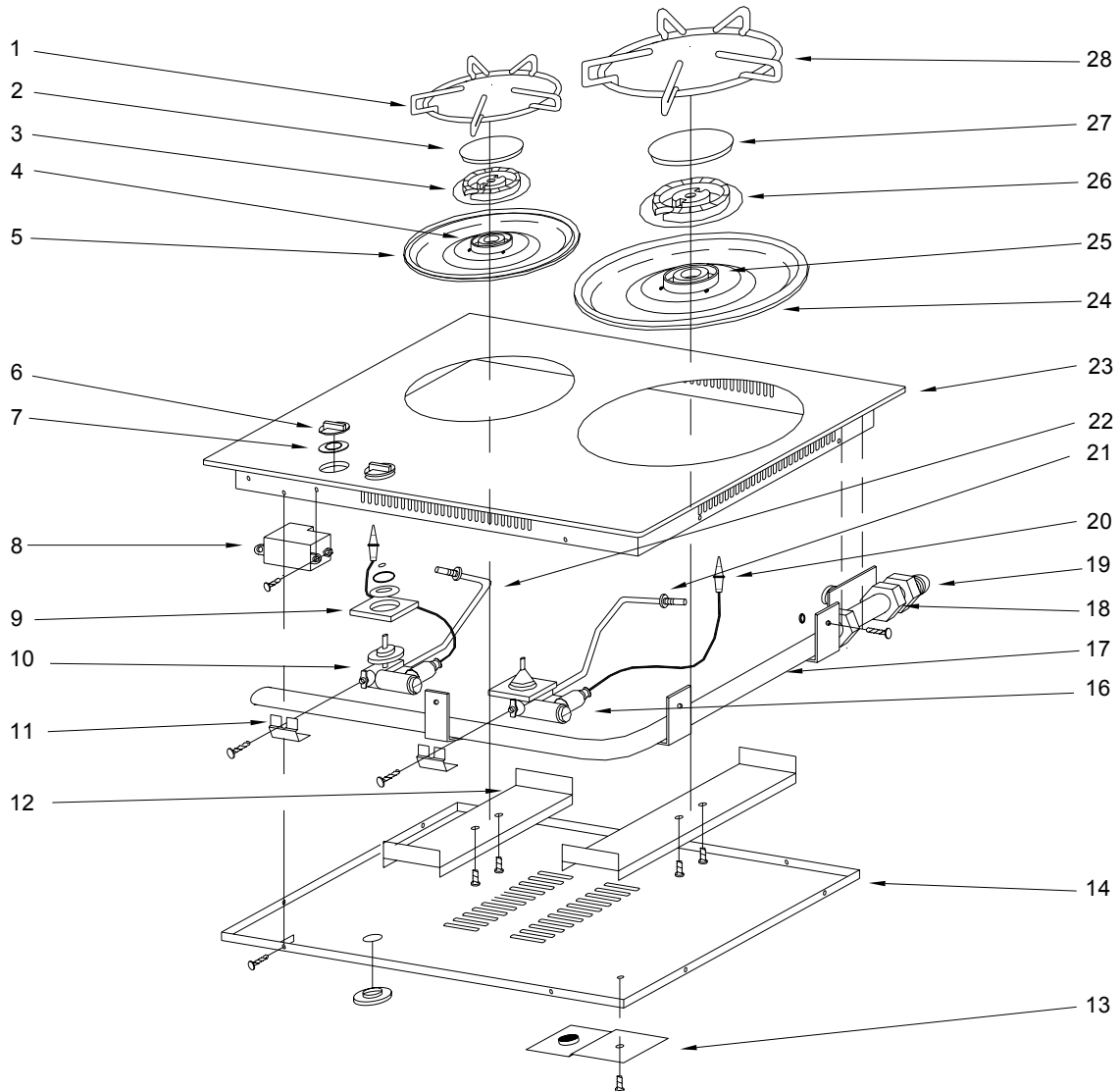
ITEM NO.	PART NO.	DESCRIPTION	ITEM NO.	PART NO.	DESCRIPTION
1	73420	Grate	13	73666	Cover, Bottom
2	75422	Cap, Burner	14	74144	Bracket, Installation
3	75421	Burner, Base	15	73251	Grommet
4	75420	Burner	16	73204	Clip
5	80716	Bowl, Spill	17	73120	Spring, Hold Down
6	80292	Assy. ,Top	18	75505	Bracket, Burner
7	80421	Knob, With Insert	19	75462	Fuel Line, Long
8	73884	Seal, Knob	20	75470	Fuel Line, Short
9	74075	Manifold	21	75418	Thermocouple
10	75417	Switch, Ignition	22	72906	Fitting, 3/8" Npt X 3/8" Flare
11	75419	Valve	23	73592	Regulator
12	75431	Bracket, Valve	24	75228	Module, Ignition



EXPLODED VIEW & PARTS LIST PRINCESS 2277-1000, 2277-1001

<u>ITEM NO.</u>	<u>PART NO.</u>	<u>DESCRIPTION</u>	<u>ITEM NO.</u>	<u>PART NO.</u>	<u>DESCRIPTION</u>
1	73420	Grate, 7k btu	16	75423	Valve, 10k btu
2	75422	Cap, Burner 7k btu	17	74383	Manifold
3	75421	Burner, Base 7k btu	18	73592	Regulator
4	75420	Injector Holder, 7k btu	19	70192	Manifold, Fitting
5	80716	Bowl, Spill 7k btu	20	74137	Thermocouple
6	80421	Knob, With Insert	21	75470	Fuel Line, Short
7	73884	Grommet	22	75462	Fuel Line, Long
8	75228	Module, Ignition	23	80402*	Top Assy. Glass (Model 1000)
9	75417	Switch, Ignition		80590*	Top Assy. S/S (Model 1001)
10	75419	Valve, 7k btu	24	80717	Spill Bowl, 10k btu
11	75431	Bracket, Valve	25	75424	Injector, Holder 10k btu
12	75293	Bracket, Burner	26	75425	Burner, Base 10k btu
13	80397	Bracket, Mounting	27	75426	Cap, Burner 10k btu
14	74500	Cover, Burner Box	28	74515	Grate, 10k btu
15		Not Applicable			

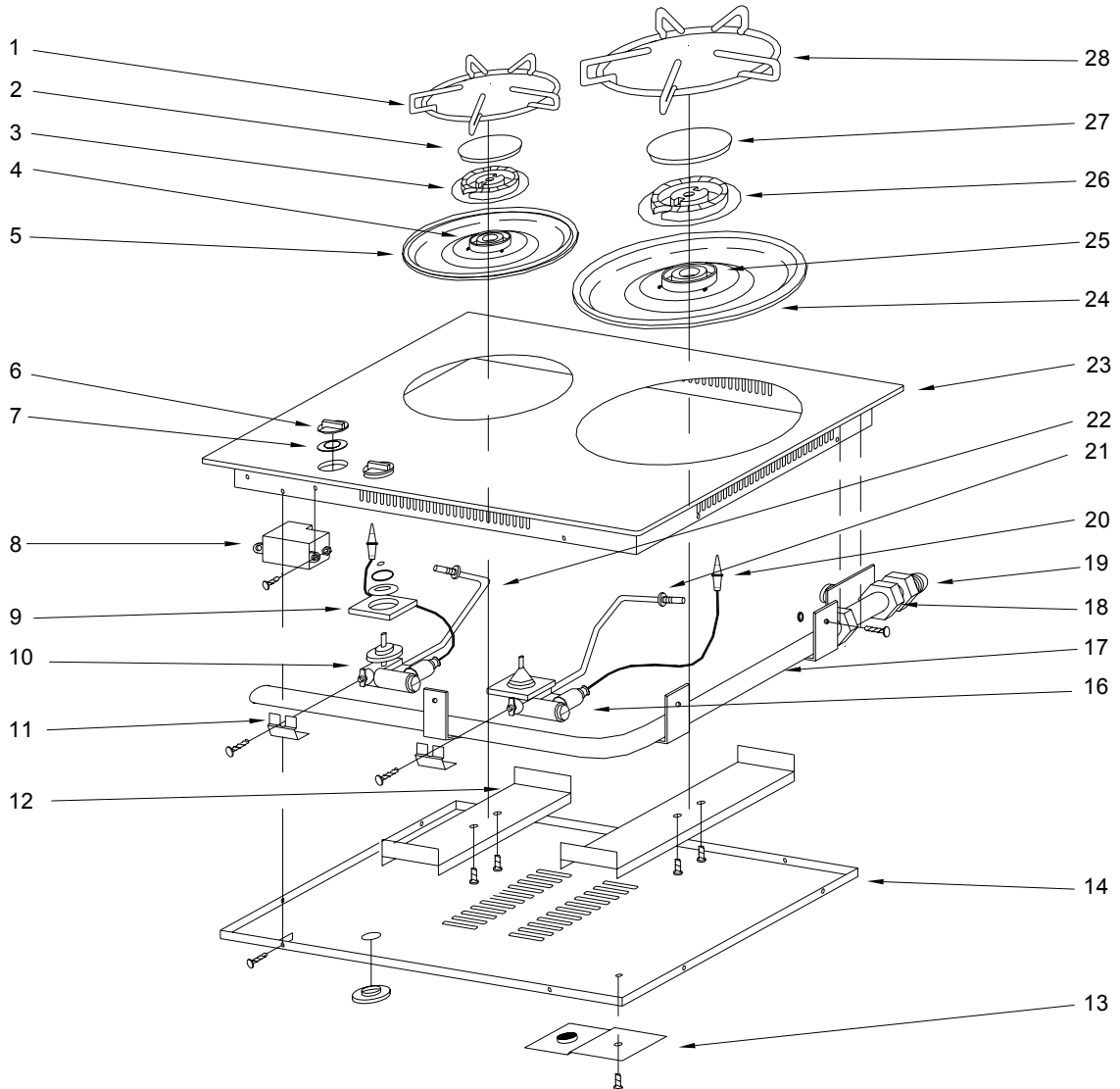
* All part numbers are for BOTH models except item #23



EXPLODED VIEW & PARTS LIST PRINCESS 2277NS-1002, 2277NS-1003

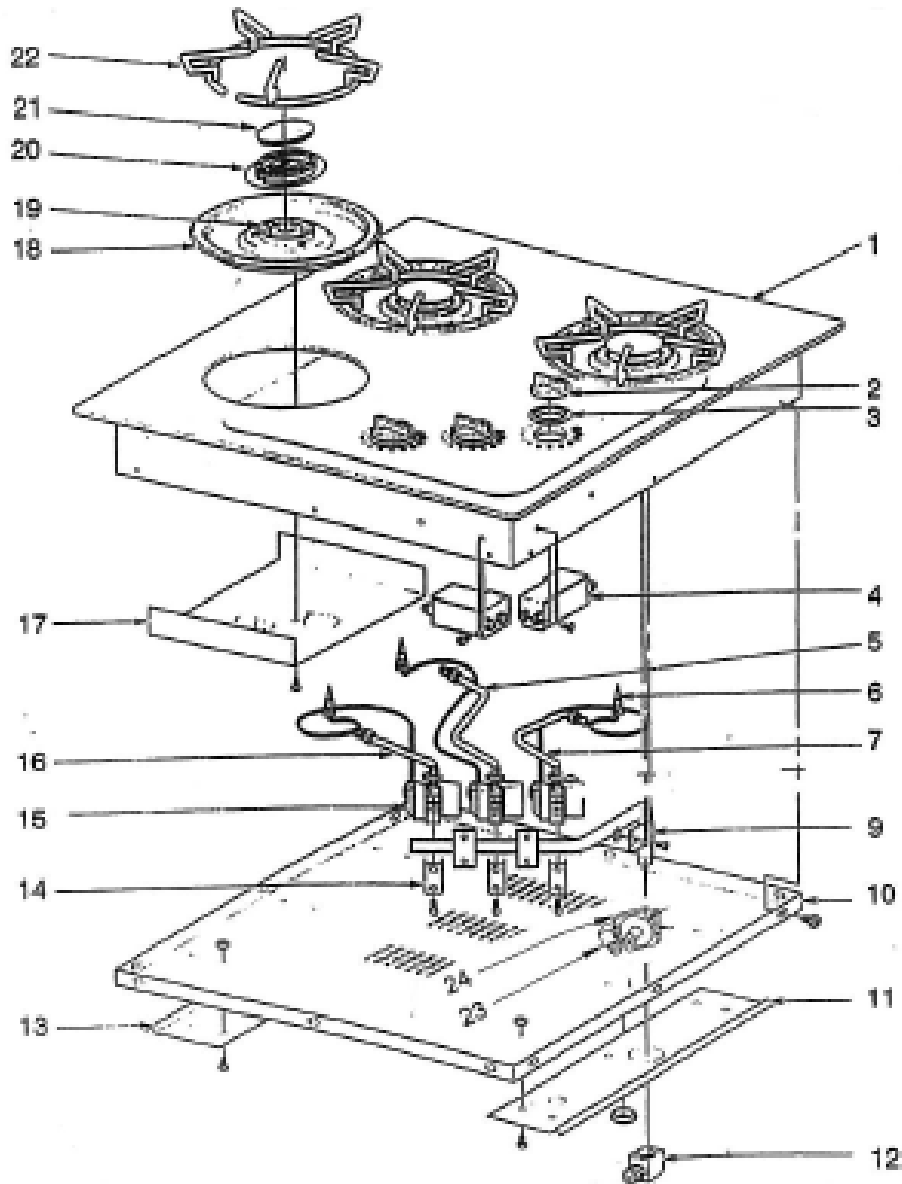
ITEM NO.	PART NO.	DESCRIPTION	ITEM NO.	PART NO.	DESCRIPTION
1	73420	Grate, 7k btu	16	75430	Valve, 10k btu
2	75422	Cap, Burner 7k btu	17	74383	Manifold
3	75421	Burner, Base 7k btu	18	73592	Regulator
4	75420	Injector Holder, 7k btu	19	70192	Manifold, Fitting
5	80722	Bowl, Spill 7k btu	20		Not Applicable
6	80421	Knob, With Insert	21	75470	Fuel Line, Short
7	73884	Grommet	22	75462	Fuel Line, Long
8	75228	Module, Ignition	23	80602*	Top Assy. Glass (Model 1002)
9	75417	Switch, Ignition		80590*	Top Assy. S/S (Model 1003)
10	75419	Valve, 7k btu	24	80723	Spill Bowl, 10k btu
11	75431	Bracket, Valve	25	75424	Injector, Holder 10k btu
12	75293	Bracket, Burner	26	75425	Burner, Base 10k btu
13	80397	Bracket, Mounting	27	75426	Cap, Burner 10k btu
14	74500	Cover, Burner Box	28	74515	Grate, 10k btu
15		Not Applicable			

* All part numbers are for BOTH models except item #23



EXPLODED VIEW & PARTS LIST PRINCESS 3276

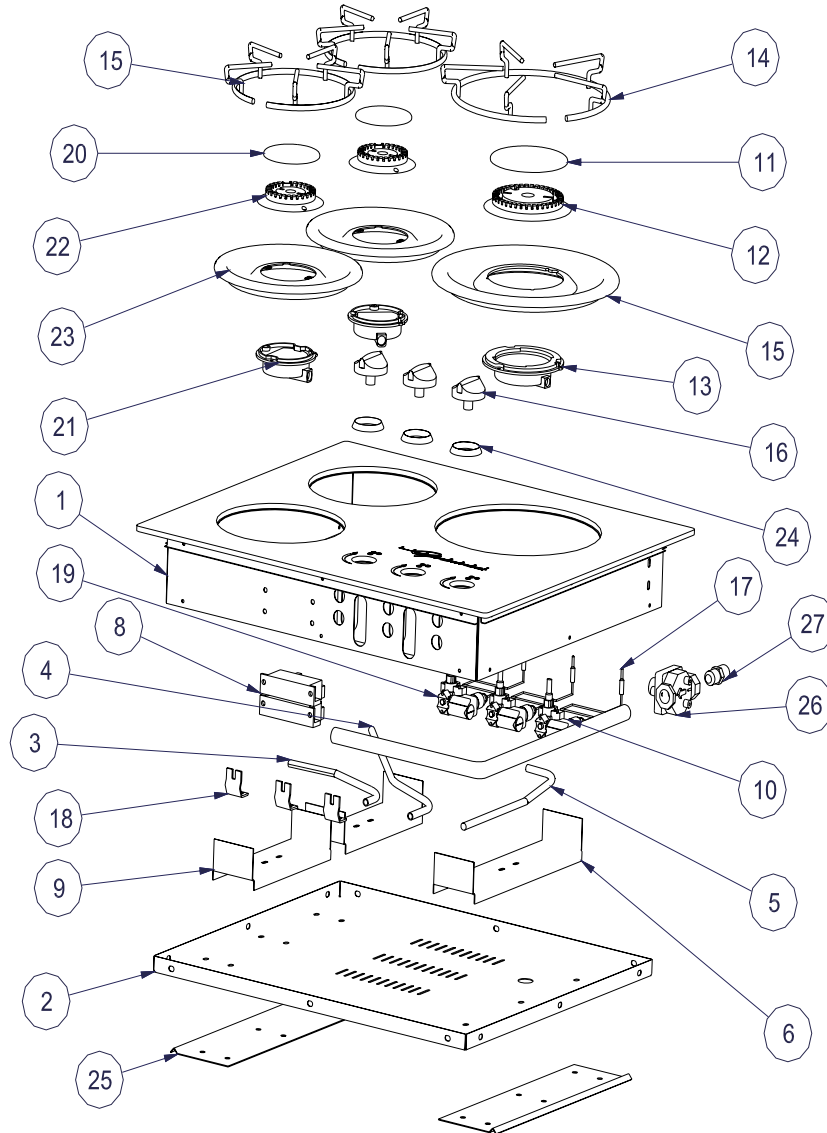
<u>ITEM NO.</u>	<u>PART NO.</u>	<u>DESCRIPTION</u>	<u>ITEM NO.</u>	<u>PART NO.</u>	<u>DESCRIPTION</u>
1	80298	Assy. Top, Black	13	73719	Bracket, Installation
2	80421	Knob, With Insert	14	75431	Bracket, Valve
3	73884	Grommet	15	75419	Valve
4	75228	Module, Ignition	16	75470	Fuel Line, Left Front
5	75462	Fuel Line, Left Rear	17	75505	Bracket Burner Mount
6	75418	Thermocouple	18	80716	Bowl, Spill
7	75470	Fuel Line, Right Rear	19	75420	Burner
8		Not Applicable	20	75421	Burner Base
9	75239	Manifold	21	75422	Burner Cap
10	73782	Cover, Bottom	22	73420	Grate
11	73719	Bracket, Installation	23	73592	Regulator
12	72543	Manifold, Fitting	24	70192	Fitting



EXPLODED VIEW & PARTS LIST PRINCESS GOURMET G3278-1000, G3278-1001

ITEM NO.	PART NO.	DESCRIPTION	ITEM NO.	PART NO.	DESCRIPTION
1	80668	Assy. Top, Glass	14	74515	Grate Large
	80696	Assy. Top, SS	15	80717	Large Spill Bowl
2	75315	Cover Bottom	16	74250	Knob
3	75470	Cover Bottom	17	75418	Thermocouple
4	75462	Fuel Line Top Left	18	75431	Valve Bracket
5	75470	Fuel Line, Right	19	75419	Valve 7K BTU
6	75470	Burner Bracket Large	20	75422	Burner Cap Small
7	75291	Manifold	21	75421	Burner Base Small
8	75228	Ignition Module	22	75420	Injector Holder Small
9	75505	Burner Bracket Small	23	80716	Small Spill Bowl
10	75423	Valve 10K BTU	24	73884	Seal Knob
11	75426	Burner Cap Large	25	73719	Mounting Bracket
12	75425	Burner Base Large	26	73592	Regulator
13	75424	Injector Holder Large	27	70192	Manifold Fitting

G3278-1001 PARTS LIST



LIMITED TWO YEAR WARRANTY

SEAWARD PRODUCTS warrants the products delivered will be:

- A. Free from (1) encumbrances and (2) defects in material and workmanship under the normal use and service.
- B. Will meet applicable specifications and descriptions at time of delivery to BUYER.

The obligation of SEAWARD under this warranty is limited to the repair, Rework, or replacement, at SEAWARD'S option, any part or component thereof, which examination discloses to our satisfaction to have been nonconforming or defective. SEAWARD, after establishing customer's purchase date and determining problem to be under warranty, will either repair the product at their factory or authorized service center and allow labor and parts for (2) two years from purchase date. Transportation charges are the responsibility of the customer. Conditions not covered under warranty are:

- (1) Porcelain Enamel
- (2) Glass
- (3) Routine maintenance that may be required

The foregoing warranty and condition shall apply to any repaired, reworked, or replaced products, part or component supplied by SEAWARD and shall in no event be liable to BUYER or BUYER'S customers for any incidental or consequential damages, or loss of use, or other losses, however occasioned.

Implied warranties of merchantability and of the fitness of the product for any purpose are warranted for a period of two years on parts and labor.

SEAWARD makes no warranties, expressed or implied after that time.

Some states do not allow limitation on how long an implied warranty lasts or for the exclusion or limitations of incidental or consequential damages, therefore, the above limitations may not apply to you.

This warranty is extended to the original purchaser only, unless purchased for purpose of resale. This warranty gives you specific legal rights, and you may also have other rights which vary from state to state.

Seaward Products

REPAIR PARTS

Repair parts listed herein may be ordered through Seaward Products. Seaward Distributors and Dealers, or Dealer's Authorized Service Centers. All parts will be shipped at prevailing prices.

When ordering repair parts, please give the following information:

- (1) The part number
- (2) The part description
- (3) The model number of the cooktop
- (4) The serial number of the cooktop

The model number and serial number of the water heater will be found on the rating plate located on the front panel. For the Authorized Service Center nearest you, please contact Seaward Products.

Seaward Products

3721 Capitol Avenue

Whittier, CA 90601-1732

Tel. (562) 699-7997 Fax. (562) 699-0908

www.seawardproducts.com