



3307653.000 TIME DELAY RELAY KIT for Model 39045

Kit Contains:

- | | |
|-----------------------------|------------------------|
| 1ea Time Delay Relay | 1ea Field Wiring Decal |
| 1ea Yellow Wire 7" long | |
| 1ea Self Drilling Screw #10 | |
| 1ea Instructions | |

The Time Delay Relay Kit will allow the refrigerant pressures to equalize in the 39045 Basement Air Conditioner before the compressor will start. This will prevent short cycling (rapid on/off) of the compressor which can cause tripping of breakers and cycling on the compressor overload.

GENERAL INSTRUCTIONS

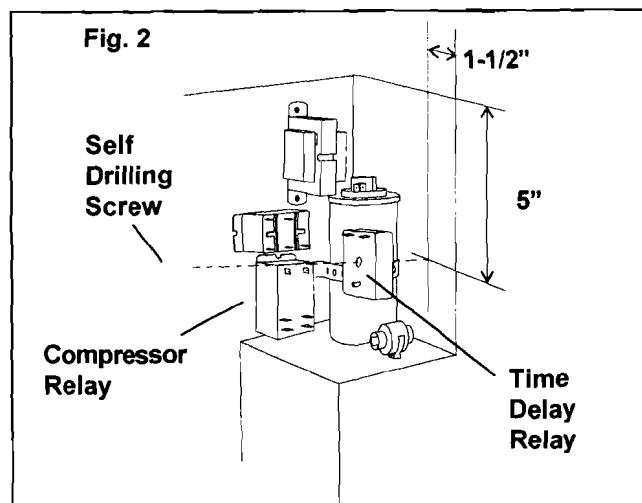
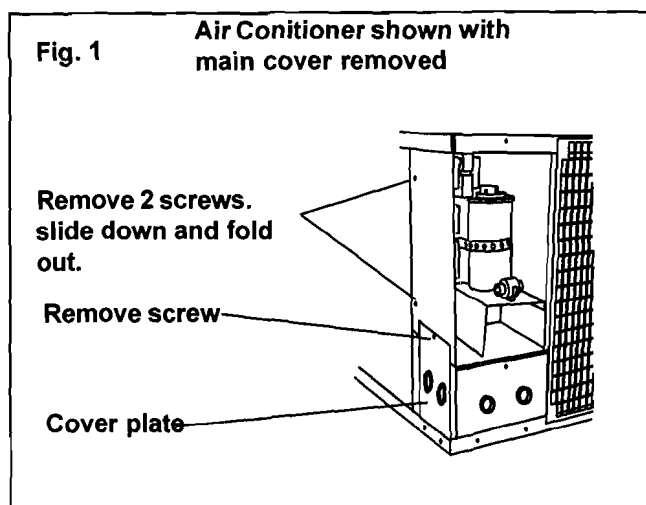
All field wiring modifications should be made in compliance with all National , State and Local Code.

This Time Delay Relay Kit should be installed only by a qualified serviceman who is familiar with air conditioners and electrical wiring.

Read and understand these instructions **BEFORE** attempting to install the Time Delay Relay Kit. Keep these instructions with the air conditioner manuals.

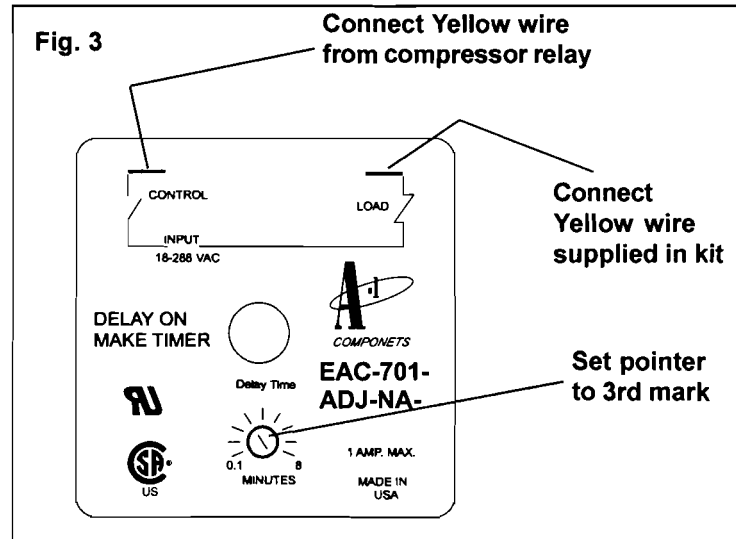
INSTALLATION INSTRUCTIONS

1. Shut off the AC supply power to the air conditioner.
2. Remove the cover off the unit main electrical box this will allow access to the electrical components.
3. Remove the 2 screws that secure the cover plate to base pan on the lower left side of the main electrical box. Cover need not be removed completely. See figure 1.
4. Remove the screw that holds the electrical box to the side of the unit. Slide the side of the electrical box down and fold the top away from the unit , when it is clear of the lip on the top cover. See figure 1.
5. Place the Time Delay Relay on the opposite side of the electrical box from the side folded out. It should be centered 5" from the top and 1-1/2" for the front edge. Drive the self drilling screw through the electrical box to attach the relay. See figure 2.



6. Remove yellow wire from coil terminal on compressor relay. The compressor relay is the lower relay in the electrical box. See Figure 2.

7. Place the yellow wire just removed in step 6 on to the time delay relay terminal marked control. See figure 3.
8. Place the yellow wire supplied in the kit on the opposite terminal on the Time Delay Relay (marked Load). See figure 3. Attach the remaining end of the yellow wire to the terminal on the compressor relay from where the wire was removed in step 6.



9. Turn the pointer on the Time Delay counter clock wise as far as it will turn and return it to the 3rd mark. This will set the Time Delay Relay to allow for a delay of approximately 3 minutes before the compressor starts.
10. Place the wiring decal supplied in the kit over the top of the existing wiring diagram.
11. Make sure all wiring is tight and replace the covers. Make sure not to pinch any wires causing a short.
12. Restore the AC power to the unit and set the thermostat to call for cooling. Check to verify the starting time of the compressor is approximate three minutes.