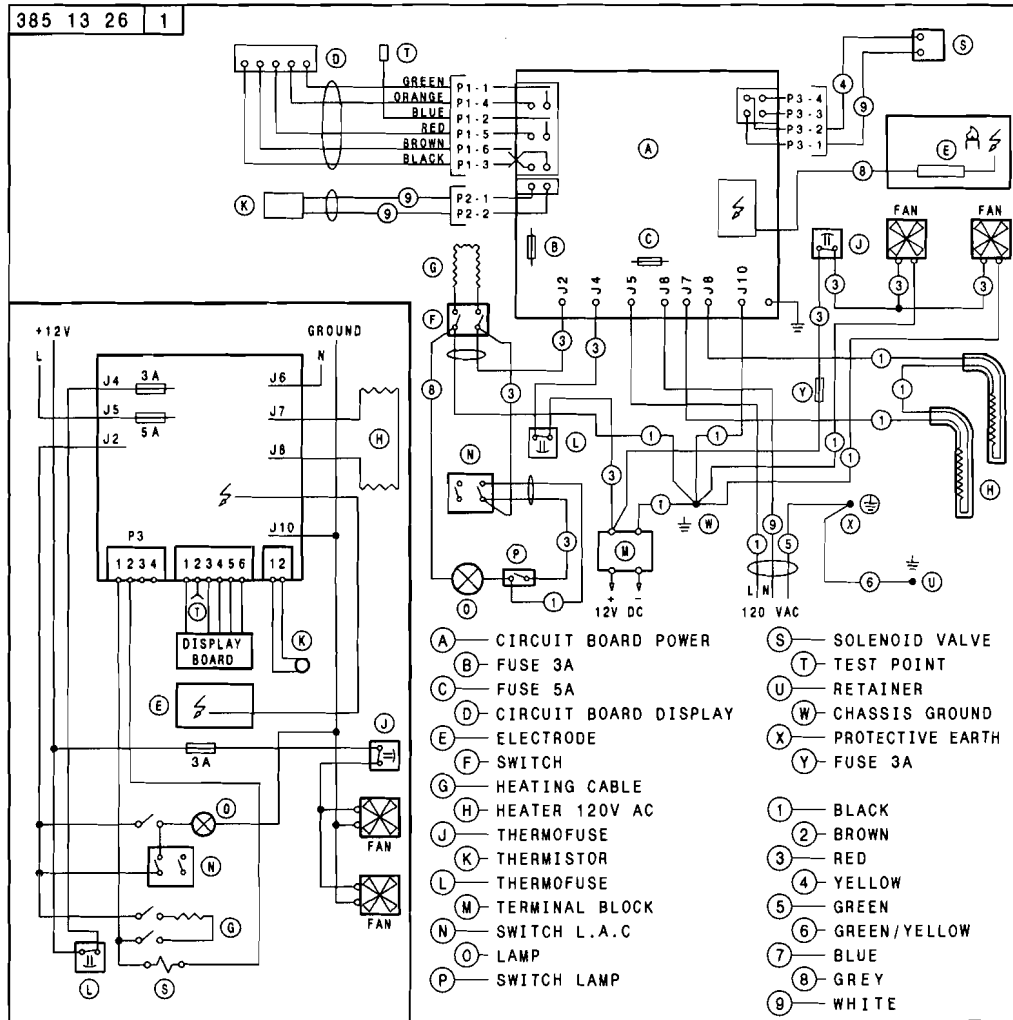


FROM SERIAL NO. 71900009



N38513261