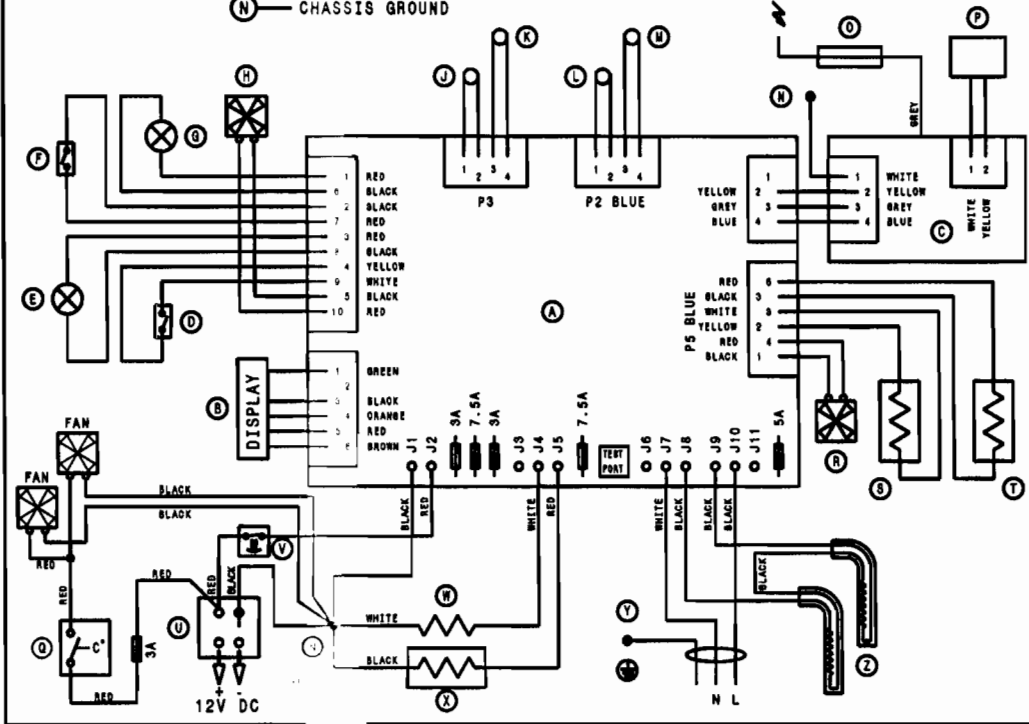
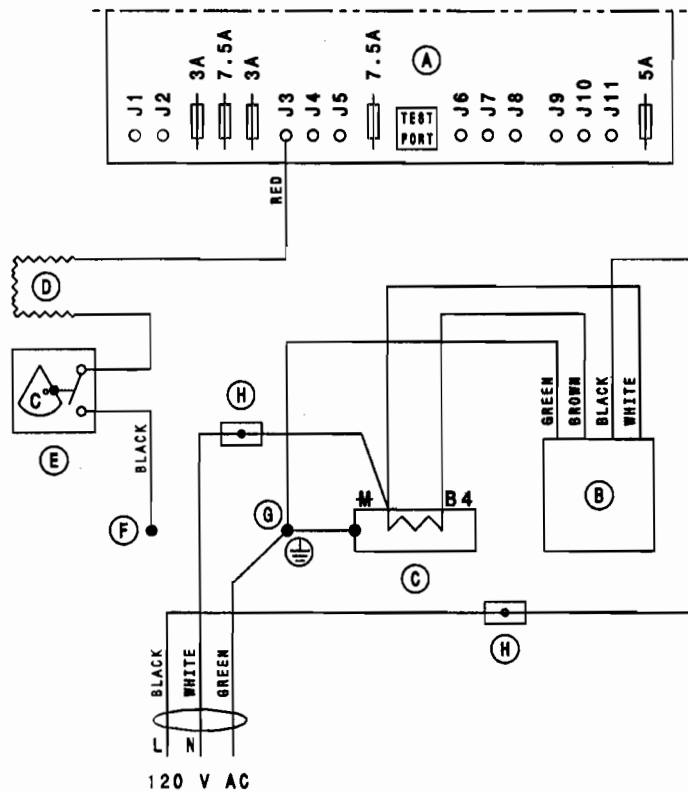


- (A) CIRCUIT BOARD POWER
- (B) CIRCUIT BOARD DISPLAY
- (C) 12V DC BURNER CONTROL
- (D) SWITCH FREEZER
- (E) LAMP FREEZER
- (F) SWITCH FRIDGE
- (G) LAMP FRIDGE
- (H) FAN FRIDGE
- (J) THERMISTOR FRIDGE AIR
- (K) THERMISTOR FRIDGE FLANGE
- (L) THERMISTOR FREEZER AIR
- (M) THERMISTOR FREEZER FLANGE
- (N) CHASSIS GROUND
- (O) ELECTRODE
- (P) SOLENOID VALVE
- (Q) THERMOSTAT
- (R) FAN FREEZER
- (S) HEATING ELEMENT DRAIN TRAY
- (T) HEATING ELEMENT FRIDGE
- (U) TERMINAL BLOCK
- (V) THERMOFUSE
- (W) HEATING CABLE FRONT FRAME
- (X) HEATING ELEMENT FREEZER
- (Y) PROTECTIVE EARTH
- (Z) HEATER 120V AC



- (A) — CIRCUIT BOARD POWER
- (B) — ICEMAKER
- (C) — WATER VALVE
- (D) — HEATING CABLE
- (E) — THERMOSTAT
- (F) — CHASSIS GROUND
- (G) — PROTECTIVE EARTH
- (H) — SPLICING SLEEVE



IN OPERATION THE ICE-MAKER
WILL ADD 1.4 AMPS TO THE
TOTAL REFRIGERATOR DRAW