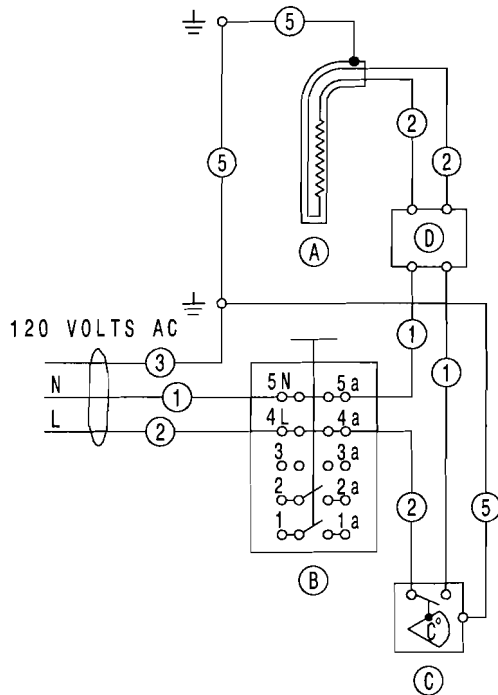
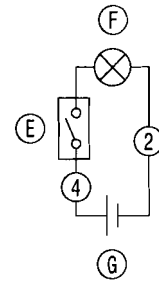
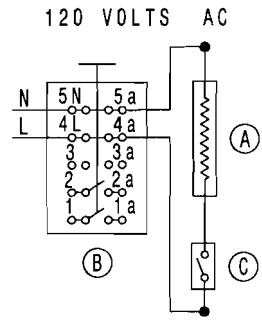


385 09 42



- ① — WHITE
  - ② — BLACK
  - ③ — GREEN
  - ④ — RED
  - ⑤ — YELLOW/GREEN
- 
- (A) — HEATER
  - (B) — SWITCH
  - (C) — THERMOSTAT
  - (D) — TERMINAL BLOCK
  - (E) — SWITCH LIGHT
  - (F) — LIGHT
  - (G) — BATTERY BOX 6V



N38509420