



RV Products  
A Division of Airxcel, Inc.  
P.O. Box 4020  
Wichita, KS 67204

**Web:** [www.rvcomfort@airxcel.com](http://www.rvcomfort@airxcel.com)  
**Support:** [www.rvsupport@airxcel.com](http://www.rvsupport@airxcel.com)  
**Sales:** [www.rvsales@airxcel.com](http://www.rvsales@airxcel.com)

INSTALLATION AND OPERATING INSTRUCTIONS  
FOR 6636- 345\*  
2 STAGE AIR CONDITIONER WALL THERMOSTAT

\* Last digit represents  
specific model number

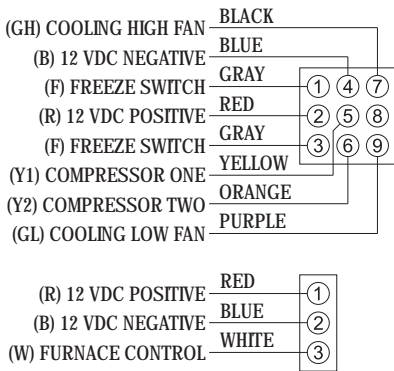


Note:  
Actual thermostat is black with white markings.  
Colors were reversed for use in these instructions.

## B. WIRING THE WALL THERMOSTAT

OEM must supply mating parts to connect these thermostats per Figure 1. The plugs must be connected to motorcoach wire harness before the base is secured to the wall.

Figure 1 6636-345\* Thermostat Assembly with Plugs



## OPERATION CHART

The chart below shows the system functions with the 6636-345\* thermostat. After the entire air conditioning system (and furnace system) is installed, check each position function.

6636-345\* 2-STAGE HEAT PUMP THERMOSTAT TRUTH TABLE

	Mode Switch	Fan Switch #1	Fan Switch #2	Calling	Operation
1	Cool	Auto	Lo	No	No functions occur in this mode
2	Cool	Auto	Lo	Stage 1 1 Above Set	ID fan low, compressor #1 and OD blower low cycle as needed
3	Cool	Auto	Lo	Stage 2 2 Above Set	ID fan low, compressor #1 & #2 and OD blower high cycle as needed
4	Cool	On	Lo	No	ID fan low continuous
5	Cool	On	Lo	Stage 1 1 Above Set	ID fan low continuous, compressor #1 and OD blower low cycle as needed
6	Cool	On	Lo	Stage 2 2 Above Set	ID fan low continuous, compressor #1 & #2 and OD blower high cycle as needed
7	Cool	Auto	Hi	No	No functions occur in this mode
8	Cool	Auto	Hi	Stage 1 1 Above Set	ID fan high, compressor #1 and OD blower low cycle as needed
9	Cool	Auto	Hi	Stage 2 2 Above Set	ID fan high, compressors #1 & #2 and OD blower high cycle as needed

## OPERATION

The display indicates room temperature and the word ROOM is shown on the LCD until the temperature selector is pressed; at which time the display temporarily indicates the setpoint temperature and the word SET is shown on the LCD. Each time the UP arrow is pressed, the setpoint will increase. Each time the DOWN arrow is pressed, the setpoint will decrease. Once the temperature selector button is no longer pressed for a few seconds, the room temperature will again be displayed, and the word ROOM will be displayed on the LCD.

TEMPERATURE		
MODE	RANGE	
	F	C
Cooling (set)	98-33 F	37-1 C
Heating (set)	98-33 F	37-1 C
Display (room)	99-32 F	38-0 C

### NOTE

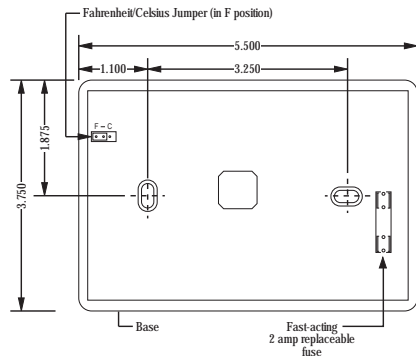
The temperature is displayed in degrees Fahrenheit as a factory set default (See Figure 2). To display in degrees Celsius, move the jumper marked "F" and "C" to bridge between middle pin and position "C".

1 Refer to truth table (pages 2&3)  
for a more detailed listing of operation sequence.

## C. ATTACHING THE WALL THERMOSTAT

1. Separate the thermostat body from the base by gently pulling at the top and bottom. See Figure 2.
2. Attach the new thermostat base to the wall at the desired mounting location.

Figure 2



6636-345\* Thermostat

	Mode Switch	Fan Switch #1	Fan Switch #2	Calling	Operation
10	Cool	On	Hi	No	ID fan high continuous
11	Cool	On	Hi	Stage 1 1 Above Set	ID fan high continuous, compressor #1 and OD blower low cycle as needed
12	Cool	On	Hi	Stage 2 2 Above Set	ID fan high continuous, compressors #1 & #2 and OD blower high cycle as needed
13	Off	Auto	Lo or Hi	N/A	No functions occur in this mode
14	Off	On	Lo	N/A	ID fan low continuous
15	Off	On	Hi	N/A	ID fan high continuous
16	Heat	Auto or On	Lo or Hi	No	No functions occur in this mode
17	Heat	Auto or On	Lo or Hi	Stage 1	Heater will be energized to run
18	Heat	Auto or On	Lo or Hi	Stage 2	There is no provision for 2nd stage heat when operating in the heat mode

There is a 30 second delay between cooling Stage 1 and Stage 2. There is also a 3 minute anti-short cycle delay time for cooling

## APPLICATION

The 6636-345\* thermostat is a heat/cool model wall thermostat.

The thermostat wiring is factory installed by the OEM (Original Equipment Manufacturer). Recreation Vehicle Products suggests the thermostat wiring be minimum 18 gauge. The 6636-345\* may also operate any RV furnace 12 VDC control circuit not exceeding one amp. The thermostat is equipped with a replaceable fast-acting 2 amp fuse located on the base of the thermostat. The fuse is designed to "open" if the furnace is mis-wired or there is a short in the system. Before replacing fuse, the cause of the failure must be located and corrected.

## INSTALLATION INSTRUCTIONS

**BE SURE ALL ELECTRICAL POWER HAS BEEN DISCONNECTED FROM THE AIR CONDITIONER AND THE POWER SUPPLY.**

These instructions are provided for the proper mounting of the thermostat itself. An Operation Chart is provided to show thermostat capabilities.

### A. THERMOSTAT LOCATION

This thermostat is a sensitive instrument. For accurate temperature control and comfort, the following considerations should be taken into account:

1. Locate the thermostat on an inside wall about five feet above the floor. Pick a dry area where air circulation is good.
2. Do not install the thermostat where there are unusual heating conditions; such as direct sunlight, heat producing appliances (television, radio, wall lamp, etc.) or a furnace or air conditioner supply register.