



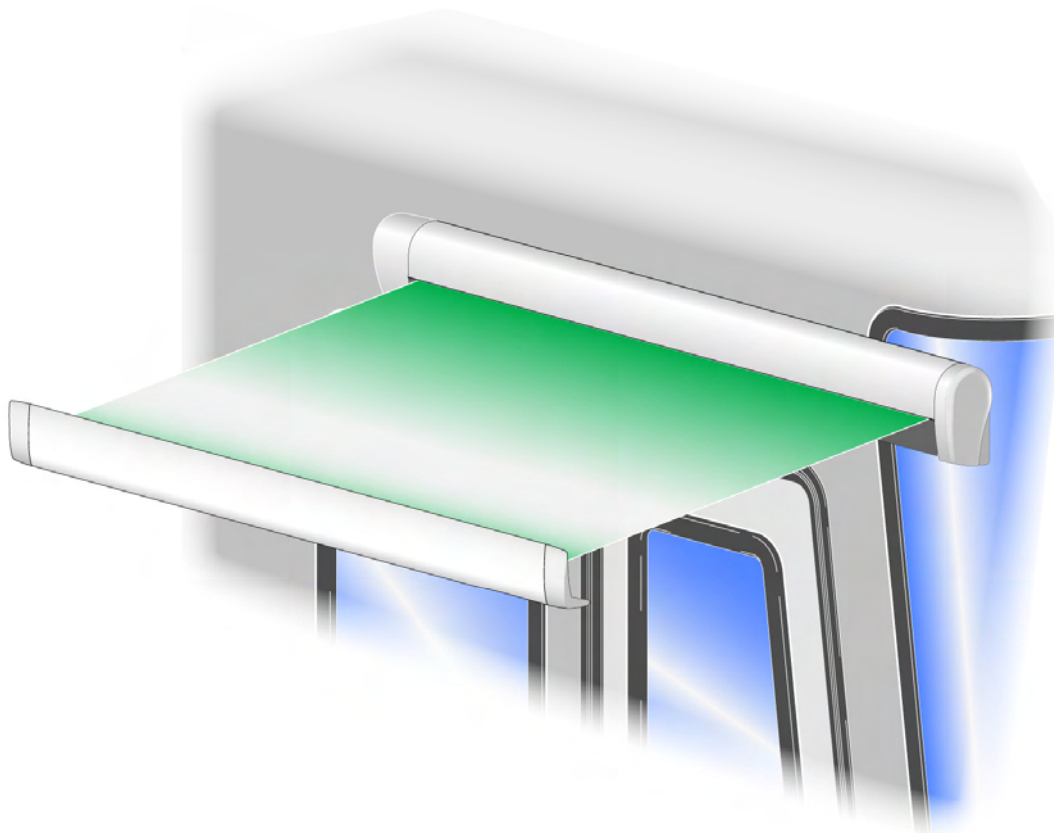
CAREFREE

## FREEDOM OTD SLIDER AWNING

---

**A MANUAL LATERAL ARM AWNING W/ ADJUSTABLE POSITIONING**

### *Installation and Operation*



*Awning shown in camping position.*

# TABLE OF CONTENTS

<b>Introduction .....</b>	<b>1</b>
Product Overview .....	1
Component Checklist.....	2
Prior to Mounting the Awning:.....	2
<b>Installation .....</b>	<b>3</b>
Installing the Slider .....	3
Mounting the Awning .....	3
Manual Crank Clip .....	3
<b>Operation .....</b>	<b>4</b>
Sliding the Awning .....	4
Opening and Closing the Awning .....	4
<b>Maintenance.....</b>	<b>5</b>
Fabric Care .....	5
Mildew .....	5
Pooling .....	5
Hardware Maintenance.....	5
<b>Limited Warranty .....</b>	<b>6</b>

## SAFETY INFORMATION

---

### **WARNING**

**A WARNING INDICATES A POTENTIALLY HAZARDOUS SITUATION WHICH, IF NOT AVOIDED, COULD RESULT IN DEATH OR SERIOUS INJURY AND/OR MAJOR PROPERTY DAMAGE.**

---

### **CAUTION**

**A CAUTION INDICATES A POTENTIALLY HAZARDOUS SITUATION THAT MAY CAUSE MINOR TO MODERATE PERSONAL INJURY AND/OR PROPERTY DAMAGE. IT MAY ALSO BE USED TO ALERT AGAINST UNSAFE PRACTICES.**

**NOTE: A note indicates further information about a product, part, or step.**

*Tip: A tip provides helpful suggestions.*

#### Safety Notes:

- Always wear appropriate safety equipment (i.e. goggles).
- Always use appropriate lifting devices and/or helpers when lifting or holding heavy objects.
- When using fasteners, use care to not over tighten. Soft materials such as fiberglass and aluminum can be "stripped out" and lose the ability to grip.

# INTRODUCTION

## PRODUCT OVERVIEW

The Freedom OtD (Over the Door) Slider Awning is a state of the art lateral arm awning. When retracted, the housing provides protection against the elements while the streamlined styling blends in with the coach side wall. The full tension canopy fabric allows the awning to be partially or fully extended for best shade coverage. Each unit is equipped with lateral support arms that are the strongest on the market. No vertical arms interfere with coach sidewalls or equipment that may be mounted on the sidewalls or custom graphics.

The slider assembly is a unique slide track made for coaches with a cab forward entrance door. In the travel position, the awning is stored toward the rear of the coach. In the camping position, the awning can slide forward to provide full coverage over the entrance.

### Freedom Awning Specifications:

- Fully retractable and self storing;
- Canopy is made with woven acrylic fabric;
- Case and frame are constructed of high-strength aluminum extrusions, protected with a polyester paint finish;
- Stainless steel fasteners and hardware.

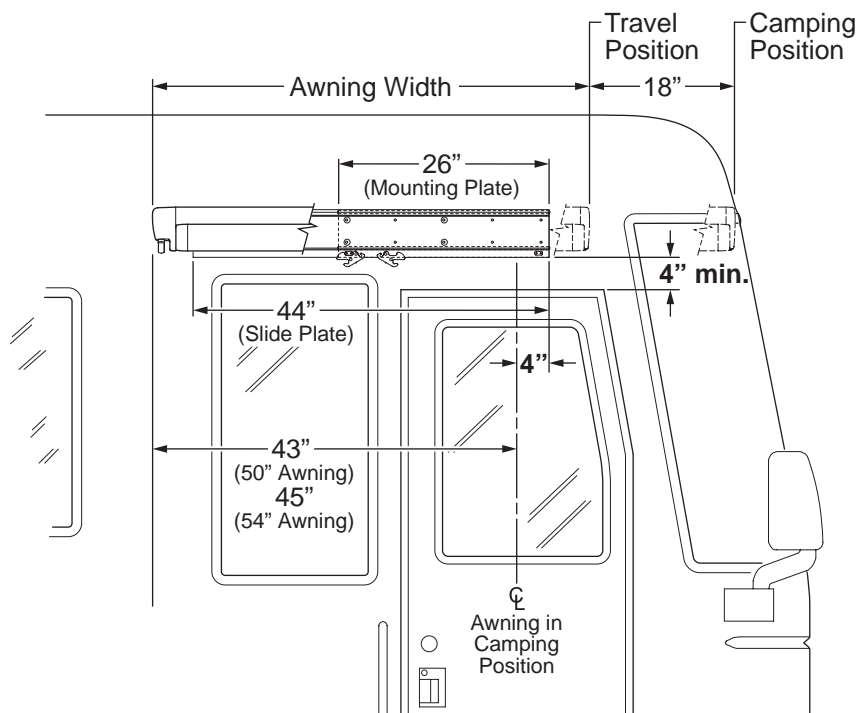
EXTENSION: 36 inches | AVAILABLE WIDTHS: 50", 54"

### LEADING EDGE POSITION ACTUATION AND CONTROL

<i>Power:</i>	Lateral Arm Spring
<i>Minimum Tension</i>	Open
<i>Position Control:</i>	Roll Out/In Controlled by Manual Crank
SLIDER MOVEMENT:	18 inches
	2 position, positive lock

### COLORS AVAILABLE

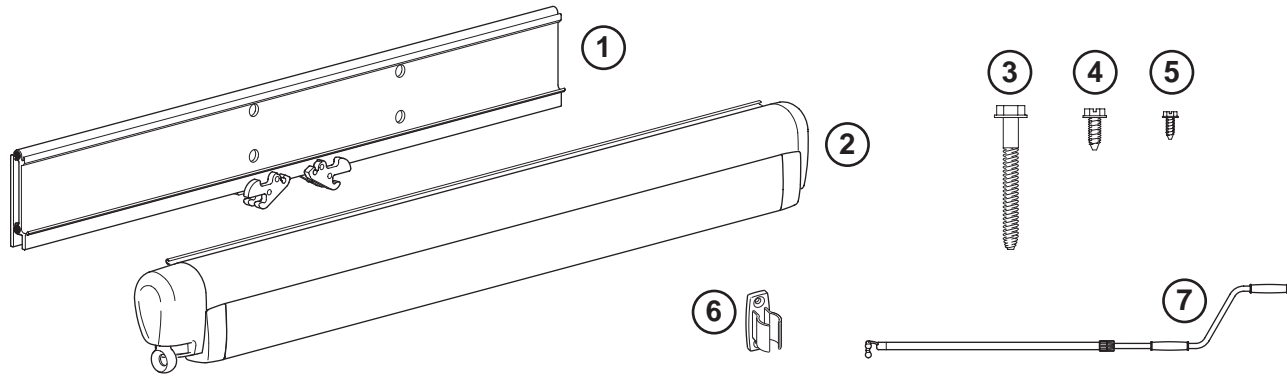
<i>Case</i>	Standard: Polar White
<i>Fabric</i>	Woven acrylic fabric refer to the sales literature for colors available



FIII010

Figure 1. General Dimensions.

**COMPONENT CHECKLIST**



**Figure 2. Component Checklist.**

<input checked="" type="checkbox"/>	ITEM	DESCRIPTION		QTY	NOTE
<b>BASIC ASSEMBLY</b>					
<input type="checkbox"/>	1	Slider Assembly		1	
<input type="checkbox"/>	2	Awning Assembly		1	1
<input type="checkbox"/>	3	Screw, Lag	1/4 x 2 1/2	10	
<input type="checkbox"/>	4	Screw, Hex Head	#12 x 1/2	2	
<input type="checkbox"/>	5	Screw, Hex Head	#8 x 3/8	2	
<input type="checkbox"/>	6	Crank Handle Clip		2	
<input type="checkbox"/>	7	Crank Handle		1	

Notes: 1. Specific awning configuration is specified at time of order, including awning length, fabric, color etc. Check awning assembly against original purchase order.

**PRIOR TO MOUNTING THE AWNING:**

(Refer to Figure 1 on page 1.) Lay out the mounting area for the Slider OtD.

- The mounting area must be flat and unobstructed. It may be necessary to cut the trim molding and or use a spacer to provide the proper mounting surface and clearance for the latch mechanism to be operated. If a spacer is required, a polypropylene sheet measuring 6" x 26" x (required thickness) works well.
- Mark the desired centerline of awning when in the travel position. This typically coincides with the centerline of the door entrance.
- From the centerline, confirm that there is adequate clearance toward the rear of the coach for the awning to be moved to the travel position. Adjust the centerline as required to prevent the awning from interfering with any existing equipment such as awnings, light fixtures, exhaust vents, openings, etc.
- From the centerline, mark a vertical line 4 inches toward the front of the coach. This will be the location of the front edge of the mounting plate.
- Measure a minimum of 4 inches above the door flange. This will be the location of the bottom edge of the mounting plate.

# INSTALLATION

## INSTALLING THE SLIDER

### ⚠ CAUTION

**THE SLIDER AND AWNING HAVE APPRECIABLE WEIGHT. IT WILL BE NECESSARY TO HAVE AT LEAST TWO PEOPLE FOR THIS INSTALLATION. THE SLIDER MUST MOUNT INTO THE STRUCTURE OF THE COACH. METAL OR FIBERGLASS WALL IS NOT ADEQUATE TO SUPPORT THE WEIGHT OF THE ASSEMBLY.**

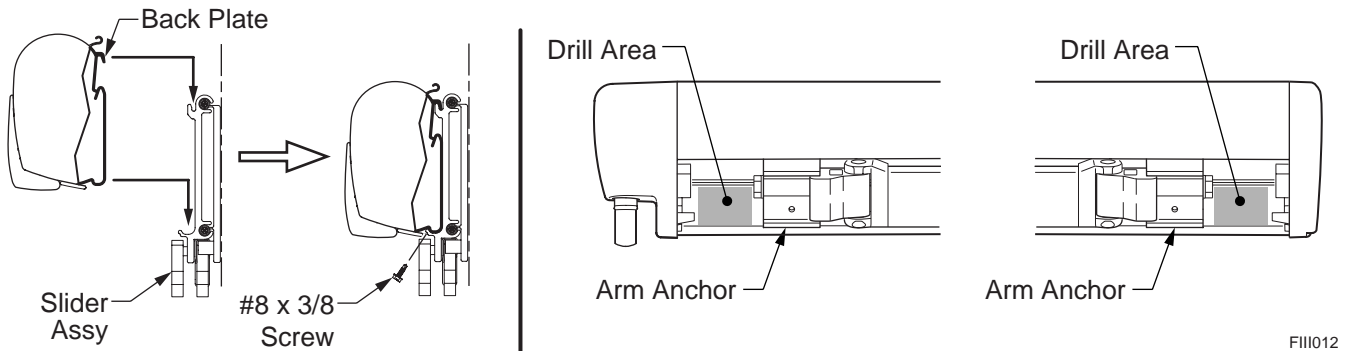
1. Position the slider mounting plate (and spacer if required) using the marks made previously.
2. 4 access holes are provided through the slide plate. Through the access holes, attach the mounting plate to the coach using 1/4 x 2/12 screws.

**NOTE: It will be necessary attach 4 screws then move the slide plate to align with next mounting holes in the mounting plate. There are 10 mounting holes in total.**

3. Lock the slide plate in the forward or rear position.

## MOUNTING THE AWNING

1. Set the awning into the hooks of the slide plate.
2. Horizontally center the awning on the slide plate.
3. Drill two 1/8" pilot holes through the bottom hook of the slide plate and awning case. Attach the slide plate and awning case using two (2) self-tapping #8 x 3/8 screws.
4. Open the awning using the hand crank.
5. In the approximate areas shown, drill two 11/64" pilot holes through the awning case and slide plate. Use care to not drill through the coach wall or mounting plate.



**Figure 3. Securing the Awning Case.**

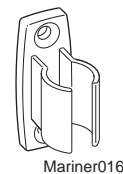
### ⚠ CAUTION

**THE SCREWS MUST BE LOCATED IN THE OPEN AREAS OF THE AWNING CASE AS SHOWN. THE ARMS CANNOT CLOSE COMPLETELY IF THE SCREW HEADS ARE UNDERNEATH.**

10. Secure the awning to the slide plate using two (2) #12 x 1/2 screws.

## MANUAL CRANK CLIP

Clips are provided to hang the manual crank handle. These may be mounted horizontally or vertically. Mount using the screws provided.



**Figure 4. Manual Crank Clip.**

## OPERATION

### SLIDING THE AWNING

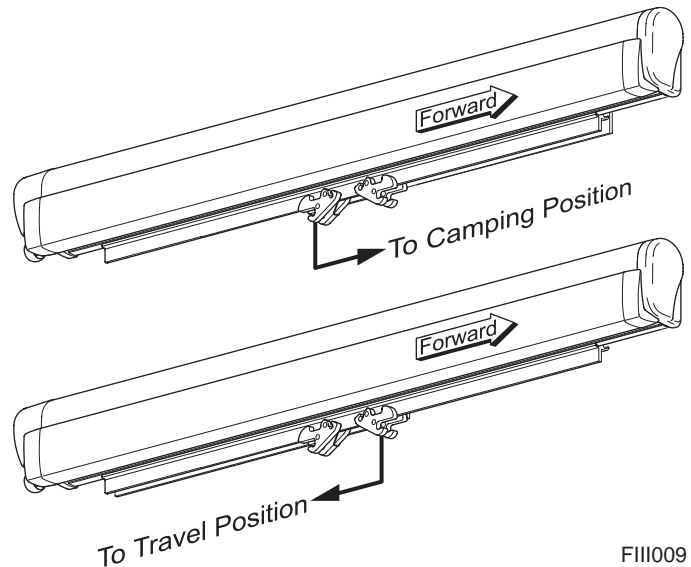
To access the catches, use the manual crank and hook over the notches in the catches.

*To position the awning in the camping position:*

- Grab the rear catch with the crank and pull down to unlock and pull forward until the front latch catches.

*To position the awning in the travel position:*

- Grab the front catch with the crank and pull down to unlock and pull to the rear until the rear latch catches.



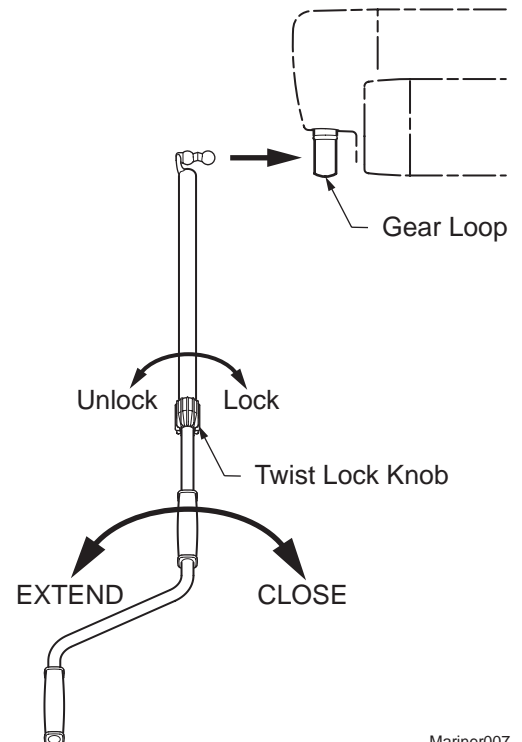
FIII009

**Figure 5. Positioning the Awning.**

### OPENING AND CLOSING THE AWNING

- Insert the manual crank into the gear loop located on the left side of the awning.
- Turn the handle counterclockwise to extend the awning. When the awning is fully extended, turn the handle a partial turn back to tighten the fabric.
- Turn the handle clockwise to retract the awning.

The crank handle may be extended or shortened by turning the twist lock knob counterclockwise and sliding the handle in or out as desired. Lock the handle in place by turning the twist lock knob clockwise.



Mariner007

**Figure 6. Manual Crank.**

## MAINTENANCE

Maintaining the Carefree Manual Patio Awning is easy. Just follow these basic steps:

- Always operate the awning according to the instructions.
- Periodically check that the fasteners are tight. Tighten if necessary.
- Keep the awning fabric and arms clean.

## FABRIC CARE

### CAUTION

**DO NOT USE OIL BASED CLEANERS OR ANY CAUSTIC, GRANULATED, OR ABRASIVE TYPE CLEANERS ON YOUR CAREFREE PRODUCT.**

1. One of the best ways to keep the fabric looking good and to delay the need for deep or vigorous cleanings is to hose fabrics off on a monthly basis with clear water. This practice will help prevent dirt from becoming deeply imbedded in the fabric and eliminate the need for more frequent vigorous cleanings. In most environments, a thorough cleaning will be needed every two to three years.
2. When it's time for a thorough cleaning, the fabric can be cleaned while still mounted.
  - For Vinyl Fabric – Use a soft brush and warm water with soap.
  - For Acrylic Fabric – Use a stiff brush and warm water with soap.
3. When cleaning the fabric, it is important to observe the following:
  - Always use a natural soap. Never detergent.
  - Water should be cold to lukewarm. Never more than 100 degrees.
  - Air-dry only. Never apply heat to the fabric.
  - Always allow the fabric to dry completely before rolling up the fabric.

### *Mildew*

Mildew is a fungus growth that looks like dirt. Vinyl coated polyester fabrics are mildew resistant because of a chemical biocide in the vinyl coating. Under ordinary conditions, mildew will not appear. However, in areas where high temperature and humidity are common, mildew can be a problem and require the material to be washed more frequently. THOROUGHLY rinse the fabric with clean water and allow to air dry completely before rolling up the fabric.

### *Pooling*

When water collects on the top of the fabric, this is known as "pooling". This can occur during inclement weather or if a running air conditioner discharges over the awning. The water is dumped when the awning is retracted. It is recommended that if water does accumulate, briefly retract the awning to dump the water. This will help prevent the fabric from stretching or distorting.

## HARDWARE MAINTENANCE

1. Replace any parts that become damaged.
2. Periodically check all mounting hardware, screws, lags, etc., and re-tighten when necessary.
3. Periodically flush the arm assemblies with low pressure water to keep them clean and free of debris.

**NOTE: Avoid introducing water into the motorized and non-motorized housings.**



# LIMITED WARRANTY

Carefree of Colorado (hereafter referred to as Carefree) warrants to the FIRST retail Purchaser that the Freedom OtD Slider Awning is free of defects in material and workmanship within the terms and conditions as set forth below. Carefree's obligation under this warranty is limited to the repair or replacement, at Carefree's option, of any defective component within the stated warranty period. THIS WARRANTY IS NOT TRANSFERABLE.

### 1. DURATION

- a) 2 years on parts, labor and freight on parts labor and freight on canopy.
- b) 2 years on parts, labor and freight on springs, motor assemblies, rollers and hardware.

Warranty duration is not extended by the length of time the product is not in use or the time which the purchaser is deprived the use of the product. The duration of coverage is determined by the date of the original product purchase, not the date of repairs.

### 2. WHAT IS COVERED UNDER THIS WARRANTY

Defects in the manufacturer's material and workmanship of product under normal use, and which occur within the duration of the warranty period. The following components are covered only as listed:

- a) *Fabrics* – Free from quality defects (normal wear and fading are excluded). Cracking, peeling, hardening, sagging or loss of strength provided that the damage is not the result of high winds or water pooling.
- b) *Roller tube & Hardware* – Free from extrusion defects.
- c) *Springs* – Defects.

### 3. WHAT IS NOT COVERED UNDER THIS WARRANTY

- a) Fabric damage such as pinholes or tears not reported within ten (10) calendar days of purchase.
- b) Improper installation and/or any damage or failure that results from improper installation of the product, including fabric damage caused by improper installation.
- c) Normal wear including the occasional need to re-tension the awning.
- d) Conditions that are not related to the material or workmanship of the product: including any failure that results from an accident, wind, rain, water pooling, or other acts of God.
- e) Purchaser's abuse, including but not limited to neglect; failure to operate, use or maintain the product in accordance with the instructions provided with the product.
- f) Any component not sold or manufactured by Carefree.
- g) Any failure that results from the use of another manufacturer's product with a Carefree product that is not specifically approved by Carefree.
- h) Any incidental, indirect, or consequential loss, damage, or expense that may result from any defect, failure, or malfunction of the Carefree product.
- i) The removal or alteration of any product component or device. In the event of such removal or alteration, this warranty is void.
- j) Any expense related to delivery or pick-up of product to/from the Service Dealer; including travel time, transport costs and/or service call charges.

### 4. RESPONSIBILITIES OF THE PURCHASER

IN ORDER FOR THE WARRANTY TO BE HONORED, THE PURCHASER MUST HAVE PROOF OF PURCHASE: THE ORIGINAL RECEIPT OR THE WARRANTY CARD ON FILE AT CAREFREE OF COLORADO. FAILURE TO PROVIDE THE REQUIRED DOCUMENTATION MAY DELAY OR VOID ANY WARRANTY CLAIM.

- a) Retain dated proof of purchase for specified product, and provide it as requested.
- b) Inspect the awning upon purchase to confirm the condition of the canopy, hardware and proper operation of the product.
- c) Perform "Periodic Maintenance" as specified in Owners Manual.
- d) Use reasonable care in maintenance, operation, use and storage of the product in accordance with the instructions contained in the owner's manual.

### 5. WARRANTY CLAIM PROCEDURE

- a) Deliver any product claimed or found defective during warranty period to a Carefree of Colorado Authorized Service Dealer. Visit [www.carefreeofcolorado.com](http://www.carefreeofcolorado.com) for the name of nearest Authorized Service Dealer, or call Carefree at the phone number shown.
- b) Customer shall schedule a time with an Authorized Service Dealer. Repair or replacement will be scheduled and performed at the Authorized Service Dealer according to normal work flow and availability of replacement parts.
- c) *Work must be performed by a Carefree authorized service center.* When warranty work/repair is performed by an authorized service agent, the agent is responsible for directly billing Carefree of Colorado for warranted parts and labor.
- d) Carefree shall pay the respective servicing dealer or agent for performing any repairs authorized by Carefree as per the terms of this warranty. Company will allow for freight and labor charges - labor is based on Flat Rate Form.
- e) All warranty claims shall be paid through the servicing agent. Carefree does not provide reimbursement for warranty claims paid for by the customer.
- f) The customer shall pay only those costs not covered by warranty. The customer shall have no out-of-pocket expenses except as stated.
- g) The Original Purchaser is responsible for any expenses related to delivery or pick up of product to/from the Service Dealer; including travel time, transport costs and/or service call charges.
- h) If the Purchaser does not receive satisfactory results from the Authorized Service Dealer, the Purchaser should contact the Carefree of Colorado Customer Care Department within 10 days after completion of the questionable service.

**THIS WARRANTY GIVES THE OWNER SPECIFIC LEGAL RIGHTS. THE LAWS OF CERTAIN JURISDICTIONS MAY GRANT THE OWNER ADDITIONAL RIGHTS AND PRIVILEGES.** Except as set forth above, Carefree makes no warranty, whether statutory or otherwise, including without limitation, any warranty of merchantability or fitness for a particular purpose. Carefree shall have no liability except to repair, replace or adjust defective products and parts. Carefree specifically excludes any liability, whether in contract, tort or otherwise, for personal injury, property damage, economic or consequential losses. Carefree has not authorized any person or company to alter the terms of this warranty.

It is Carefree of Colorado's policy and practice to continuously improve the company's products and services. Therefore, Carefree reserves the right to make changes in design and components, without notice, whenever it is believed the quality of the product will be improved, but without incurring any obligation to incorporate such improvements in any product which has been shipped or in service.

**FOR YOUR RECORDS:**

**DEALER/INSTALLER**

**NAME:** \_\_\_\_\_

**ADDRESS:** \_\_\_\_\_

**PHONE:** \_\_\_\_\_

**PURCHASE DATE:** \_\_\_\_\_

**PART NUMBER:** \_\_\_\_\_

**SERIAL NUMBER:** \_\_\_\_\_

**PRODUCT NAME**

**OR DESCRIPTION:** \_\_\_\_\_

**Color:** \_\_\_\_\_ **Size:** \_\_\_\_\_

**Register your Carefree products on-line @**  
[www.carefreeofcolorado.com](http://www.carefreeofcolorado.com)