



RV

CAREFREE

FREEDOM WINDOW & OTD AWNINGS

MOTORIZED OR MANUAL LATERAL ARM AWNINGS

Installation and Operation

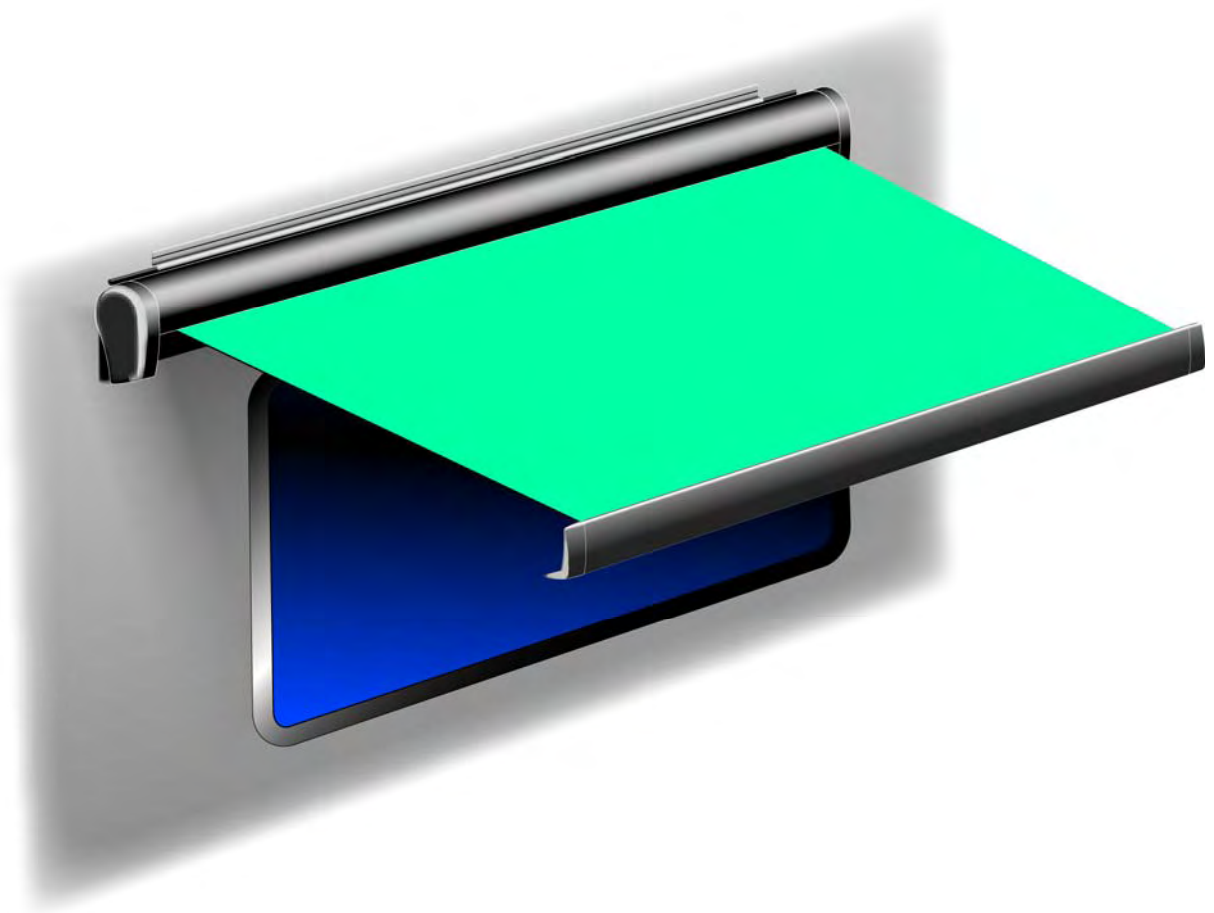


TABLE OF CONTENTS

Introduction	1
Product Overview	1
Component Checklist.....	2
Installation	3
Installation Using an Awning Rail	3
Installation Using the Mounting Plates.....	5
Manual Crank Clip	6
Standard Switch and Wiring	7
Wiring Using the Relay Module (OEM Installations Only)	8
Operation	9
Motorized Awning	9
Manual Crank Awning.....	9
Maintenance.....	10
Fabric Care	10
Mildew	10
Pooling	10
Hardware Maintenance	10
Motor Maintenance	10
Limited Warranty	12

SAFETY INFORMATION

WARNING

A WARNING INDICATES A POTENTIALLY HAZARDOUS SITUATION WHICH, IF NOT AVOIDED, COULD RESULT IN DEATH OR SERIOUS INJURY AND/OR MAJOR PROPERTY DAMAGE.

CAUTION

A CAUTION INDICATES A POTENTIALLY HAZARDOUS SITUATION THAT MAY CAUSE MINOR TO MODERATE PERSONAL INJURY AND/OR PROPERTY DAMAGE. IT MAY ALSO BE USED TO ALERT AGAINST UNSAFE PRACTICES.

NOTE: A note indicates further information about a product, part, or step.

Tip: A tip provides helpful suggestions.

Safety Notes:

- Always disconnect battery or power source before working on or around the electrical system.
- Always wear appropriate safety equipment (i.e. goggles).
- Always use appropriate lifting devices and/or helpers when lifting or holding heavy objects.
- When using fasteners, use care to not over tighten. Soft materials such as fiberglass and aluminum can be "stripped out" and lose the ability to grip.

INTRODUCTION

PRODUCT OVERVIEW

The Freedom Window and OtD (Over the Door) Awnings are state of the art lateral arm awnings. When retracted, the housing provides protection against the elements while the streamlined styling blends in with the coach side wall. The full tension canopy fabric allows the awning to be partially or fully extended for best shade coverage.

Each unit is equipped with lateral support arms that are the strongest on the market. No vertical arms interfere with coach sidewalls, custom graphics or equipment that may be mounted on the sidewalls.

Freedom Awning Specifications:

- Fully retractable and self storing;
- Available as manual or motorized;
- The sealed awning motor operates on standard 12VDC (range 10VDC to 14VDC);
- Fabric is Sunbrella® woven acrylic;
- Case and frame are constructed of high-strength aluminum extrusions, protected with a polyester paint finish;
- Stainless steel fasteners and hardware.

EXTENSION: 36"	AVAILABLE WIDTHS:	<i>OtD</i>	50", 54", 60", 66", 72"
		<i>Window</i>	50", 54", 60", 66", 72", 7', 8', 9', 10' 11', 12' & 13'

LEADING EDGE POSITION ACTUATION AND CONTROL

<i>Power:</i>	Lateral Arm Spring	
<i>Minimum Tension</i>	Open	
<i>Position Control:</i>	<i>Motorized:</i>	Roll Out/In Controlled by Electrical Motor
	<i>Manual:</i>	Roll Out/In Controlled by Manual Crank

MOTOR SPECIFICATIONS

<i>Motor Type:</i>	Tubular		
<i>Power:</i>	12VDC	<i>Minimum:</i> 8VDC	<i>Output:</i> 30 Watts
	<i>Nominal Current:</i> 2.5Amps		<i>Max Current:</i> 14Amps (stall @ min voltage)
<i>Power Source:</i>	Motor and controls are routed and hardwired into the vehicle's 12V system		
<i>Torque</i>	<i>Continuous:</i> 6Nm/4.5 ft-lbs.		<i>Tightening:</i> 18Nm/13.2 ft-lbs.
<i>Speed</i>	15 rpm		

COLORS AVAILABLE

<i>Case</i>	Standard: Polar White
	Custom: Black, Champagne and Pewter
<i>Fabric</i>	Sunbrella Acrylic Fabric (refer to sales literature for colors available)

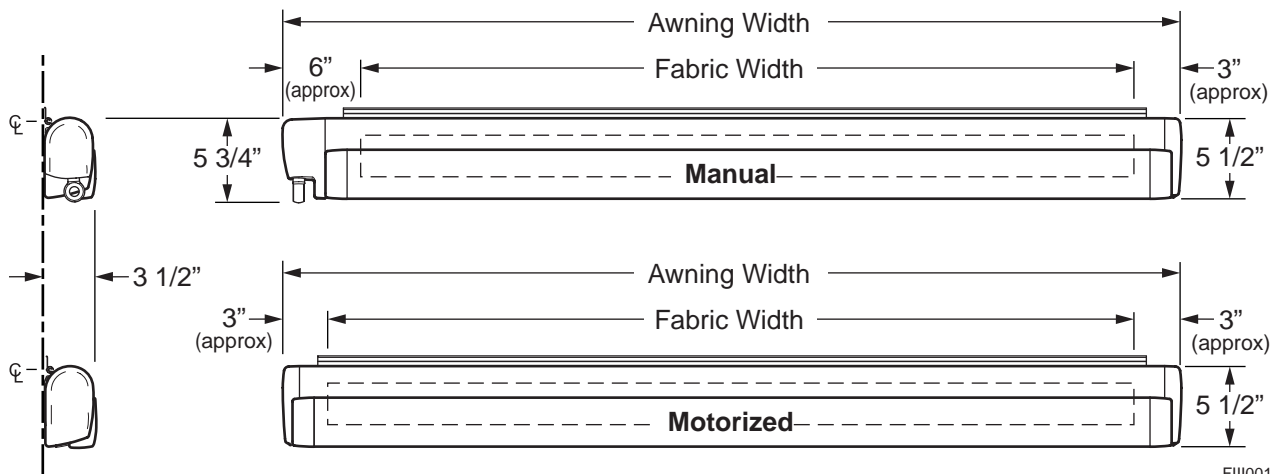


Figure 1. General Dimensions.

F111001

COMPONENT CHECKLIST

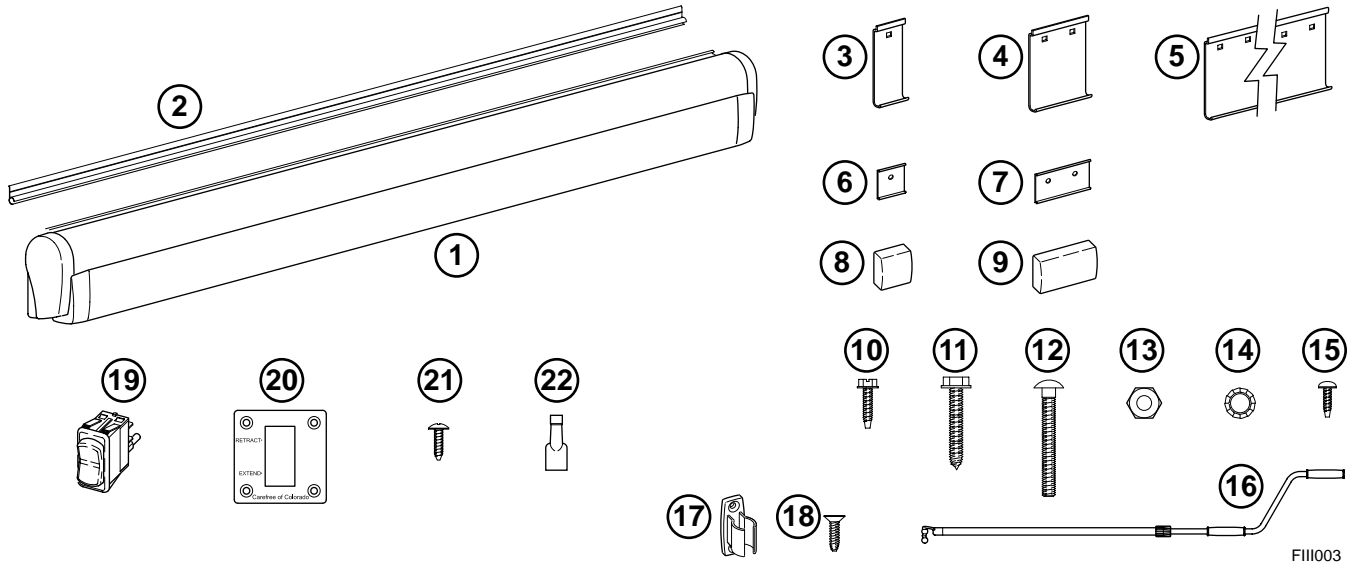


Figure 2. Component Checklist.

<input checked="" type="checkbox"/>	ITEM	DESCRIPTION	QTY			NOTE	
BASIC ASSEMBLY							
<input type="checkbox"/>	1	Awning Assembly	1			1	
<input type="checkbox"/>	2	Awning Rail	1				
HARDWARE KITS (application depending on Awning Length, see note 2)							
			A	B	C		
<input type="checkbox"/>	3	Mounting Plate	1 1/2"	1	1	2	
<input type="checkbox"/>	4	Mounting Plate	3"	2	-	-	
<input type="checkbox"/>	5	Mounting Plate	18"	-	2	2	
<input type="checkbox"/>	6	Backing Plate	1 1/2"	3	3	4	
<input type="checkbox"/>	7	Backing Plate	3"	2	2	2	
<input type="checkbox"/>	8	Cover	1 1/2"	3	3	4	
<input type="checkbox"/>	9	Cover	3"	2	2	2	
<input type="checkbox"/>	10	Screw, Hex Head	#10 x 3/4	20	20	20	
<input type="checkbox"/>	11	Screw, Lag	1/4 x 1 1/2	6	6	6	
<input type="checkbox"/>	12	Carriage Screw	1/4-28 x 2	5	5	6	
<input type="checkbox"/>	13	Nut	1/4-28	7	7	8	
<input type="checkbox"/>	14	Lock Washer	1/4	7	7	8	
<input type="checkbox"/>	15	Screw, Phillips Pan Head	#6 x 3/8	5	5	6	
<input type="checkbox"/>	16	Crank Handle		1	1	1	3
<input type="checkbox"/>	17	Crank Handle Clip		2	2	2	3
<input type="checkbox"/>	18	Screw, Flat Head	M4 x 25	4	4	4	
ELECTRICAL							
<input type="checkbox"/>	19	Switch, DPDT, Momentary Contact		1		4	
<input type="checkbox"/>	20	Switch Plate, Single Switch		1		4	
<input type="checkbox"/>	21	Screw	#6 x 1/2	4		4	
<input type="checkbox"/>	22	Spade Connector, Female		4		4	

- Notes:
- Specific awning configuration is specified at time of order, including awning length, fabric, color etc. Check awning assembly against original purchase order.
 - Hardware Kits are based on awning length:
 - A = OtD and window awnings 9' or shorter
 - B = 10'-11'
 - C = 12'-13'
 - Crank Handle and Clip (items 16 & 17) used with manual version only.
 - Items listed under "Electrical" are used with motorized version only
 - Two styles of awning rail are available when ordering the awning. Refer to the illustration on page 3.

INSTALLATION

Two methods are available to securely mount the Freedom awning. The awning may be mounted using a standard awning rail. When this is not practical, the awning may be mounted using a set of mounting brackets that mounts to the wall (refer to page 5).

Prior to mounting the awning:

- Review both mounting methods to determine the best mounting method for the particular application. The awning rail must be attached to structural components for stability. The awning rail may be mounted to a blind surface while the flat plates require access to the inside of the mounting surface.
- If there is an awning rail installed, check that the awning rail runs the full length of the awning. The awning rail must be extremely straight to accommodate the awning mount. If a full length awning rail is installed, skip to step 6 under “Awning Rail Installation”.
- Ensure that the awning will not interfere with other equipment such as light fixtures, exhaust vents, openings, etc.

INSTALLATION USING AN AWNING RAIL

1. Determine the optimum positioning of the awning.
 - The centerline of the awning fabric is offset from the centerline of the awning assembly. To align the center of the fabric, use the backplate of the awning assembly for measurements.
 - When installed, the bottom of the awning case is 5 1/4” from the centerline of the awning rail. The rail must be mounted a minimum of 7” above openings to avoid interference.
 - Measure rail position so that the awning is mounted parallel to the ground.

NOTE: Two styles of awning rail are available with the Freedom Window and OTD awnings. When mounting the rail, the slot must be pointed down.

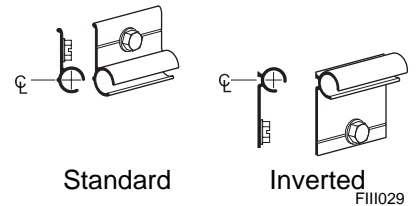


Figure 3. Awning Rail Styles.

2. Mark the centerline position with a chalk line.
3. Coat the back of the rail with silicone sealant or putty tape.
4. Align the awning rail onto the wall and secure with #10 x 3/4 screws. Use all the attach holes and ensure that the rail is securely mounted to the structural frame.
5. Lightly spray the inside track of the awning rail with a silicone lubricant.
6. Using a minimum of two people, lift the awning up and tilt as shown.

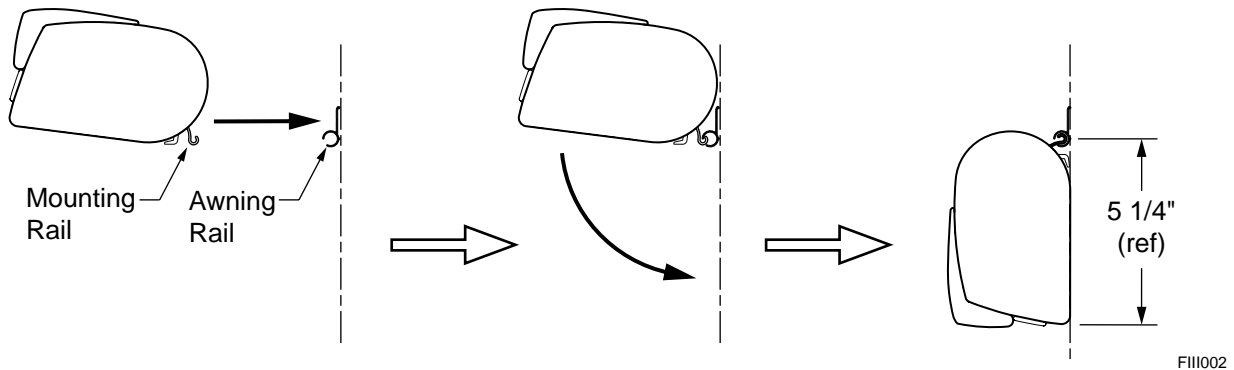


Figure 4. Mount Using Awning Rail.

7. Hook the mounting rail into the awning rail and roll down.
8. Adjust the position of the awning horizontally as required. It may be necessary to lightly lift the awning so that it will slide in the awning rail.

9. For the motorized awning only:

- Lift the awning upward slightly. On the coach wall, mark the location of where the motor wires exit the awning case.
- Measure and drill one 1/4" hole through the outer wall at the mark.

NOTES: Adjust the location as required. Measure to avoid any interior framing, cabinets, electrical components etc. that could be damaged or interfere with the hole location.

Ensure that the motor cables are accessible after routing in the next step.

This is a preliminary step, the wire and switch installation are completed after the awning is secured (refer to step 15).

- Route the motor wires through the hole and seal with silicone sealant.
10. Rotate the awning down.
11. Open the awning.

NOTE: To open the motorized awning, momentarily connect the motor wires to a 9-18VDC drill battery or car battery. If the motor runs in the reverse direction, reverse the leads.

12. (Refer to figure 4) Drill three (3) 3/16" holes through the back of the case into the mounting surface and into the structure. Use care to not drill through the inner wall.

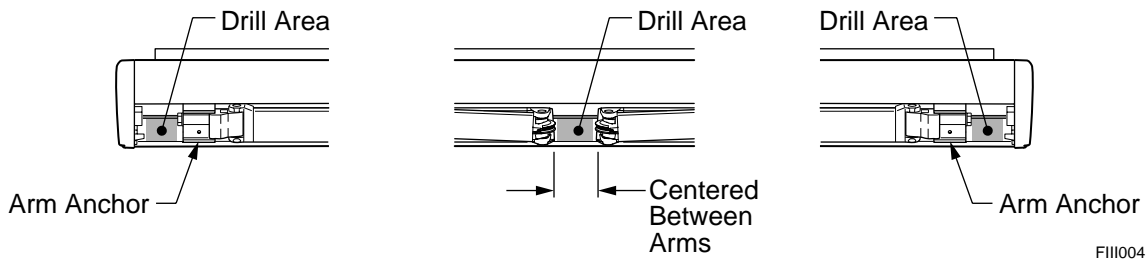


Figure 4. Securing the Awning Case.

13. Drill out the 3/16" holes in the awning case to 5/16". Do not allow the drill to extend into the wall.

⚠ CAUTION

THE SCREWS MUST BE LOCATED IN THE OPEN AREAS OF THE AWNING CASE AS SHOWN. THE ARMS CANNOT CLOSE COMPLETELY IF THE SCREW HEADS ARE UNDERNEATH.

14. Secure the awning using three (3) 1/4 x 1 1/2 lag screws.
15. For motorized awnings, go to "Switch and Wiring Installation" on page 6.

INSTALLATION USING THE MOUNTING PLATES

- Determine the optimum positioning of the awning.
 - The centerline of the awning fabric is offset from the centerline of the awning assembly. To align the center of the fabric, use the backplate of the awning assembly for measurements.
 - The bottom of the mounting plates should be above any openings or frames to avoid interference when the awning is installed.
 - Measure each end of the awning position from the ground so that the awning is mounted parallel to the ground.

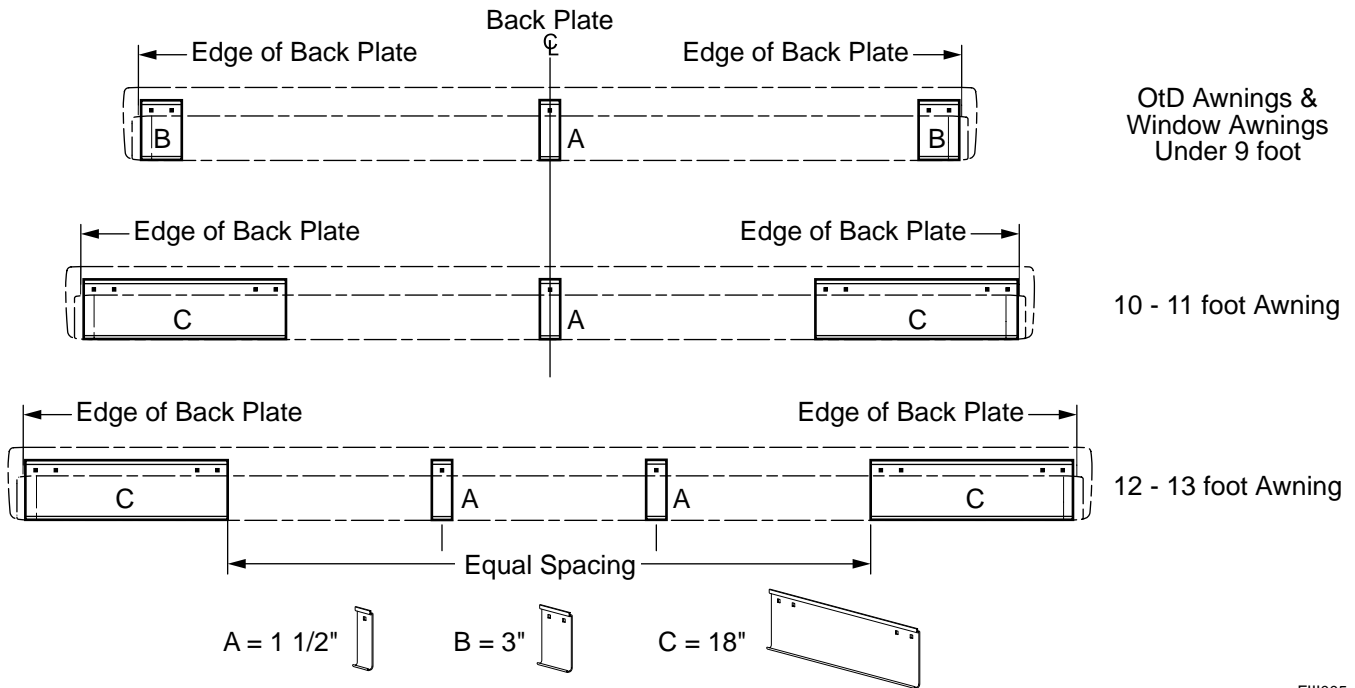


Figure 5. Mounting Plate Pattern.

F111005

- Mark the position with a chalk line.
- Determine the correct plate pattern then use the plates as a template and drill the appropriate mounting holes. Attach brackets.
 - For attaching into existing structure:* Drill 3/16" hole(s) through wall and into structure. Attach the plate using the supplied 1/4 x 2 hex head lag screws.
 - For attaching to a hollow wall:* Drill 5/16" hole(s) through the wall. Attach the plate using the supplied 1/4 x 2 carriage bolts, backing plate, lock washers, nuts and cover.

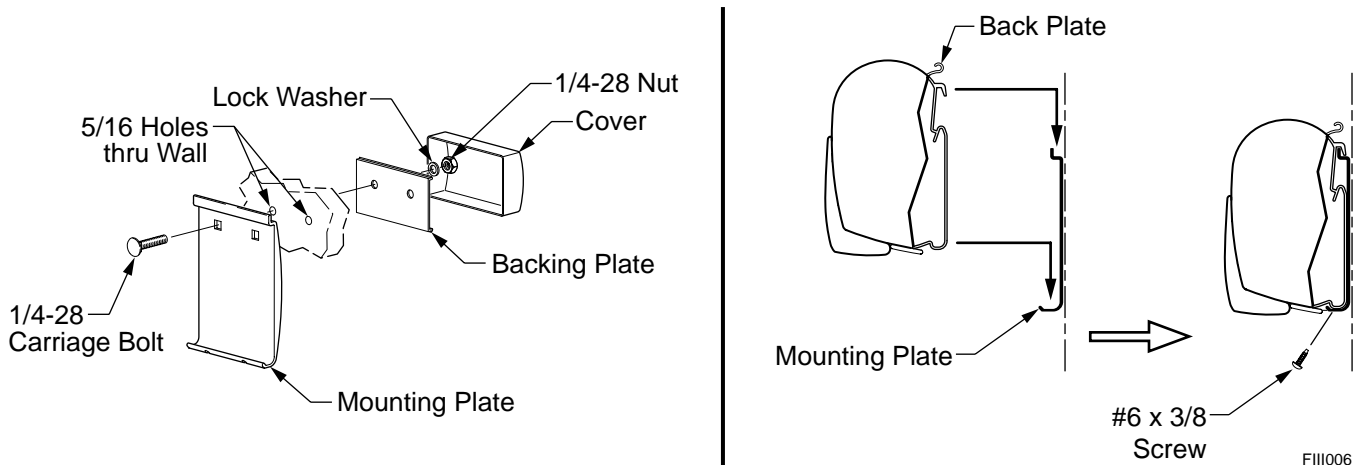


Figure 6. Mount Using Plates.

F111006

4. For motorized awnings only:

- Using the awning back plate, measure the location where the motor wires exit the awning case.
- Transfer the measurement to the coach wall using the mounting plates as reference.

NOTES: Adjust the location as required. Measure to avoid any interior framing, cabinets, electrical components etc. that could be damaged or interfere with the hole location.

Ensure that the motor wires are accessible after routing.

This is a preliminary step, the wire and switch installation are completed after the awning is secured (refer to step 8).

- Drill a 1/4" hole through the outer coach wall.
 - Route the motor wires through the hole while lifting the awning into position.
5. Set the awning into the hooks of the mounting plates.
 6. Adjust the position of the awning horizontally as required.
 7. (Refer to Figure 6) Attach the mounting plates to the awning case using the self-tapping #6 x 3/8 screws.
 8. For motorized awnings, go to "Switch and Wiring Installation" on page 6.

MANUAL CRANK CLIP

For non-motorized versions, clips are provided to hang the manual crank handle. These may be mounted horizontally or vertically. Mount using the screws provided.

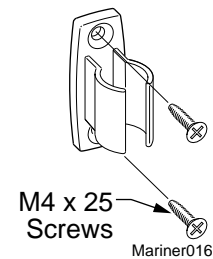


Figure 7. Manual Crank Clip.

STANDARD SWITCH AND WIRING

- Determine the location of the switch.
 - There is approximately 8' of wire from the point of entry.
 - Location should provide the operator a view of the awning during operation.
 - The switch requires a 2 3/4" x 2 3/4" area on the mounting surface and a minimum clearance depth of 2 3/4" from the mounting surface.

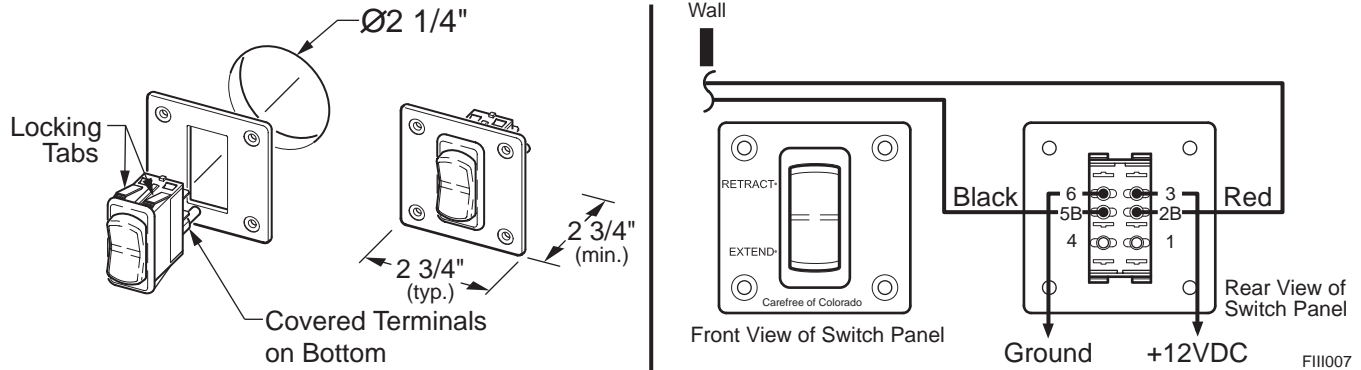


Figure 8. Switch Installation.

⚠️ WARNING

TERMINALS 1 AND 4 ARE CAPPED WITH FULLY INSULATED CONNECTORS. THESE TERMINALS MUST REMAIN CAPPED AT ALL TIMES.

- Using a 2 1/4" hole saw, cut a hole through the mounting surface.
- Route the awning wires through the hole and terminate with spade connectors.

⚠️ CAUTION

ALWAYS DISCONNECT THE BATTERY AND ELECTRICAL SOURCES BEFORE WORKING WITH THE ELECTRICAL WIRING.

- Run a 14 gauge wire (never use less than 16 gauge) from the power distribution panel (auxiliary battery circuit) or equivalent. The circuit should be protected by a 15 amp fuse.
- Run a wire to system ground.
- Route the two new wires through the hole and terminate with spade connectors.
- Push the switch into the face plate until the tabs on the switch "click" into place behind the face plate. Ensure that the switch and face plate are oriented as shown.
- Attach the four wires to the switch as shown.
- Restore vehicle power and test operation.
- If the awning operates in a reverse to the switch plate markings:
 - Shut off power;
 - Reverse the red and black motor leads;
 - Restore power and test.
- Push the wires and switch into the mounting hole and secure the plate using four (4) #6 x 1/2" screws.

WIRING USING THE RELAY MODULE (OEM INSTALLATIONS ONLY)

The relay module is used only with selected OEM installations.

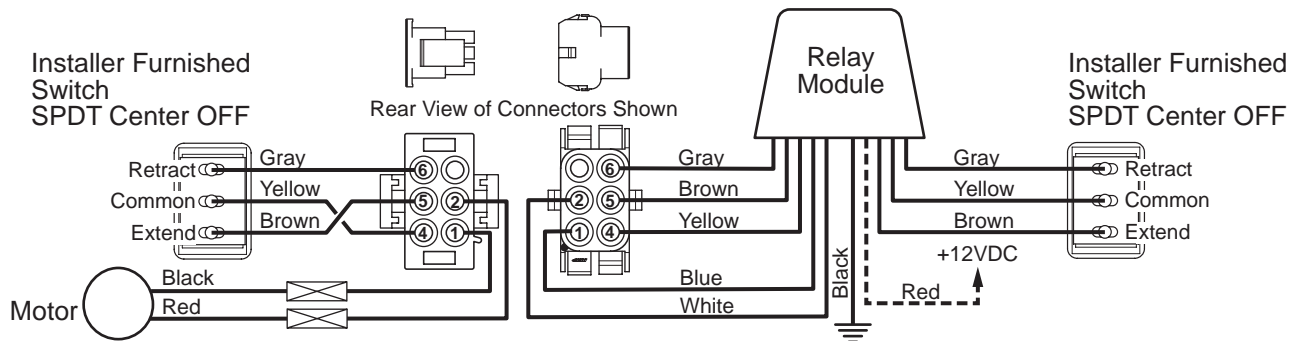
⚠ CAUTION

ALWAYS DISCONNECT THE VEHICLE BATTERY AND ELECTRICAL SOURCES BEFORE WORKING WITH THE ELECTRICAL WIRING.

- NOTE:**
- The switch(es) must be momentary on, single pole, double throw, center OFF (Momentary ON – OFF – Momentary ON).
 - The recommended cable from the switch to the awning should be 2-conductor, 20AWG, stranded, PVC coated, unshielded wire.
- Route a cable for the motor wires from the motor location through the carriage walls to the location of the switch/relay module.
 - Butt-splice the motor wires to the installer furnished cable wires. Match the wire colors.
 - Determine the location of the switch.
 - Location should provide the operator a view of the shade during operation.
 - Follow the switch manufacturer's directions for preparing the switch mount location.
 - The relay module must be mounted within 16" or less of the switch location.
 - Separate the wires from the relay module into 3 groups:
 - Brown, yellow and gray with spade terminals (primary switch),
 - Black and red with spade terminals (power leads),
 - Connector bundle with: Brown, yellow and gray (switch), and Blue and white (motor).

NOTE: The relay module harness is supplied with one connector installed. The installer must furnish the mating connector (p/n 1-480704) and terminals (p/n 350547-3) for the exterior switch and motor cables. Vendor: AMP/Tyco Electronics.

- Measure and cut away any excess cable from the motor and primary switch wires. Terminate the wires and install in the mating connector as shown below.
- Run an 18 gauge wire from the power distribution panel (auxiliary battery circuit) or equivalent to the relay module. The circuit should be protected by a 5 amp fuse (the motor has a maximum 2 amp stall current).
- Run a wire from chassis ground to the relay module. Suitable ground would be the vehicle chassis or conductive structure connected to the chassis.
- Butt-splice the two wires to the power wire leads on the module. Black is ground, red is +12VDC.



PV3007

Figure 9. Relay Module Wiring Diagram.

- Restore vehicle power and test the switch operation. Note which direction raises the shade and which direction lowers the shade.
- Orient the switch so that pushing the switch up corresponds with raising the shade, pushing the switch down corresponds with lowering the shade. Install the switch into the mounting surface.

NOTE: If the switch cannot be reoriented, reverse the top and bottom leads to the switch to reverse awning direction.
- On the relay module, remove the paper cover on the adhesive foam and press the module onto a flat surface.

OPERATION

The Carefree Awning can provide years of service by following the simple guidelines and directions on the next pages.

MOTORIZED AWNING

- To extend the awning, press and hold the switch in the EXTEND position until the awning is in the desired position then release the switch.
- To retract the awning, press and hold the switch in the RETRACT position until the awning is in the desired position then release the switch.

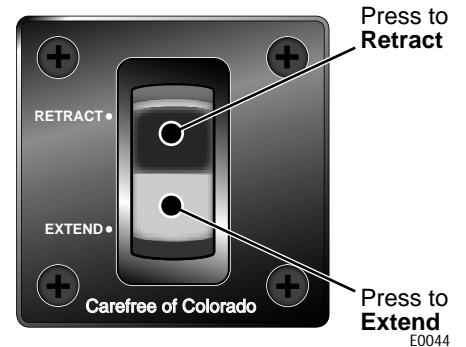


Figure 10. Control Switch.

MANUAL CRANK AWNING

- Insert the manual crank into the gear loop located on the left side of the awning.
- Turn the handle counterclockwise to extend the awning.
- Turn the handle clockwise to retract the awning.

The crank handle may be extended or shortened by turning the twist lock knob counterclockwise and sliding the handle in or out as desired. Lock the handle in place by turning the twist lock knob clockwise.

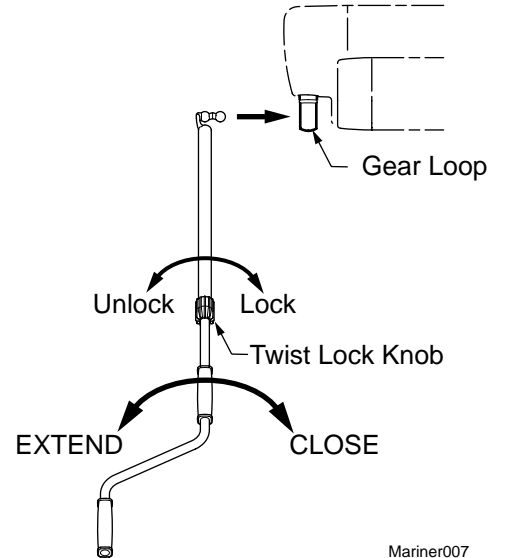


Figure 11. Manual Crank.

MAINTENANCE

Maintaining a Carefree Awning is easy. Just follow these basic steps:

- Always operate the awning according to the instructions.
- Periodically check that the fasteners are tight. Tighten if necessary.
- Keep the awning fabric and arms clean.

FABRIC CARE

CAUTION

DO NOT USE OIL BASED CLEANERS OR ANY CAUSTIC, GRANULATED, OR ABRASIVE TYPE CLEANERS ON YOUR CAREFREE PRODUCT.

1. One of the best ways to keep the fabric looking good and to delay the need for deep or vigorous cleanings is to hose fabrics off on a monthly basis with clear water. This practice will help prevent dirt from becoming deeply imbedded in the fabric. In most environments, a thorough cleaning will be needed every two to three years.
2. When it's time for a thorough cleaning, the fabric can be cleaned while still on the awning frame.
 - For Vinyl Fabric – Use a soft brush and warm water with soap.
 - For Acrylic Fabric – Use a stiff brush and warm water with soap.
3. When cleaning the fabric, it is important to observe the following:
 - Always use a natural soap, never detergent.
 - Water should be cold to lukewarm, never more than 100°F.
 - Air-dry only. Never apply heat to the fabric.
 - Always allow the fabric to dry thoroughly before rolling up the awning.

Mildew

Mildew is a fungus growth that looks like dirt. Vinyl coated polyester fabrics are mildew resistant because of a chemical biocide in the vinyl coating. Under ordinary conditions, mildew will not appear. However, in areas where high temperature and humidity are common, mildew can be a problem and required the material to be washed more frequently. Thoroughly rinse the fabric with clean water and allow to air dry completely before rolling up the awning.

Pooling

When water collects on the top of the fabric, this is known as "pooling". This can occur during inclement weather or if a running air conditioner discharges over the awning. The water is dumped when the awning is retracted. It is recommended that if water accumulates on the top; retract the awning in steps (8"-12") to dump the water. This will help prevent the fabric from stretching or distorting.

The effects of wind and rain on an awning are unpredictable. Severe damage to the awning and the vehicle may result. IF WIND OR EXTENDED PERIODS OF RAIN ARE EXPECTED, ROLL UP THE AWNING AND SECURE FOR TRAVEL.

Hardware Maintenance

- Replace any parts that become damaged.
- Periodically check all mounting hardware, screws, lags, etc., and re-tighten when necessary.
- Locking knobs should be periodically loosened and removed then sprayed with a dry lubricant to prevent binding and locking.

MOTOR MAINTENANCE

- Check all wiring and connections for wear. Repair when needed.
- Check that the sealant is providing a good seal and no water is accumulating on the wiring.

LIMITED WARRANTY

Carefree of Colorado (hereafter referred to as Carefree) warrants to the FIRST retail Purchaser that the Freedom Window or OtD Awning is free of defects in material and workmanship within the terms and conditions as set forth below. Carefree's obligation under this warranty is limited to the repair or replacement, at Carefree's option, of any defective component within the stated warranty period. THIS WARRANTY IS NOT TRANSFERABLE.

1. DURATION

- a) 2 years on parts, labor and freight on parts labor and freight on canopy.
- b) 2 years on parts, labor and freight on springs, motor assemblies, rollers and hardware.
- c) 2 years on parts, labor and freight on electronic components.

Warranty duration is not extended by the length of time the product is not in use or the time which the purchaser is deprived the use of the product. The duration of coverage is determined by the date of the original product purchase, not the date of repairs.

2. WHAT IS COVERED UNDER THIS WARRANTY

Defects in the manufacturer's material and workmanship of product under normal use, and which occur within the duration of the warranty period. The following components are covered only as listed:

- a) *Fabrics* – Free from quality defects (normal wear and fading are excluded). Cracking, peeling, hardening, sagging or loss of strength provided that the damage is not the result of high winds or water pooling.
- b) *Roller tube & Hardware* – Free from extrusion defects.
- c) *Springs* – Defects.
- d) *Motor assemblies*– Defects.
- e) *Electronics* – Defects.

3. WHAT IS NOT COVERED UNDER THIS WARRANTY

- a) Fabric damage such as pinholes or tears not reported within ten (10) calendar days of purchase.
- b) Improper installation and/or any damage or failure that results from improper installation of the product, including fabric damage caused by improper installation.
- c) Normal wear including the occasional need to re-tension the awning.
- d) Conditions that are not related to the material or workmanship of the product: including any failure that results from an accident, wind, rain, water pooling, or other acts of God.
- e) Purchaser's abuse, including but not limited to neglect; failure to operate, use or maintain the product in accordance with the instructions provided with the product.
- f) Any component not sold or manufactured by Carefree.
- g) Any failure that results from the use of another manufacturer's product with a Carefree product that is not specifically approved by Carefree.
- h) Any incidental, indirect, or consequential loss, damage, or expense that may result from any defect, failure, or malfunction of the Carefree product.
- i) Any expense related to delivery or pick-up of product to/from the Service Dealer; including travel time, transport costs and/or service call charges.
- j) Any expense related to delivery or pick-up of product to/from the service dealer.

4. RESPONSIBILITIES OF THE PURCHASER

IN ORDER FOR THE WARRANTY TO BE HONORED, THE PURCHASER MUST HAVE PROOF OF PURCHASE: THE ORIGINAL RECEIPT OR THE WARRANTY CARD ON FILE AT CAREFREE OF COLORADO. FAILURE TO PROVIDE THE REQUIRED DOCUMENTATION MAY DELAY OR VOID ANY WARRANTY CLAIM.

- a) Retain dated proof of purchase for specified product, and provide it as requested.
- b) Inspect the awning upon purchase to confirm the condition of the canopy, hardware and proper operation of the product.
- c) Perform "Periodic Maintenance" as specified in Owners Manual.
- d) Use reasonable care in maintenance, operation, use and storage of the product in accordance with the instructions contained in the owner's manual.

5. WARRANTY CLAIM PROCEDURE

- a) Deliver any product claimed or found defective during warranty period to a Carefree of Colorado Authorized Service Dealer. Visit www.carefreeofcolorado.com for the name of nearest Authorized Service Dealer, or call Carefree at the phone number shown.
- b) Customer shall schedule a time with an Authorized Service Dealer. Repair or replacement will be scheduled and performed at the Authorized Service Dealer according to normal work flow and availability of replacement parts.
- c) *Work must be performed by a Carefree authorized service center.* When warranty work/repair is performed by an authorized service agent, the agent is responsible for directly billing Carefree of Colorado for warranted parts and labor.
- d) Carefree shall pay the respective servicing dealer or agent for performing any repairs authorized by Carefree as per the terms of this warranty. Company will allow for freight and labor charges - labor is based on Flat Rate Form.
- e) All warranty claims shall be paid through the servicing agent. Carefree does not provide reimbursement for warranty claims paid for by the customer.
- f) The customer shall pay only those costs not covered by warranty. The customer shall have no out-of-pocket expenses except as stated.
- g) The Original Purchaser is responsible for any expenses related to delivery or pick up of product to/from the Service Dealer; including travel time, transport costs and/or service call charges.
- h) If the Purchaser does not receive satisfactory results from the Authorized Service Dealer, the Purchaser should contact the Carefree of Colorado Customer Care Department within 10 days after completion of the questionable service.

THIS WARRANTY GIVES THE OWNER SPECIFIC LEGAL RIGHTS. THE LAWS OF CERTAIN JURISDICTIONS MAY GRANT THE OWNER ADDITIONAL RIGHTS AND PRIVILEGES. Except as set forth above, Carefree makes no warranty, whether statutory or otherwise, including without limitation, any warranty of merchantability or fitness for a particular purpose. Carefree shall have no liability except to repair, replace or adjust defective products and parts. Carefree specifically excludes any liability, whether in contract, tort or otherwise, for personal injury, property damage, economic or consequential losses. Carefree has not authorized any person or company to alter the terms of this warranty.

It is Carefree of Colorado's policy and practice to continuously improve the company's products and services. Therefore, Carefree reserves the right to make changes in design and components, without notice, whenever it is believed the quality of the product will be improved, but without incurring any obligation to incorporate such improvements in any product which has been shipped or in service.

DATE PURCHASED: _____

DEALER/INSTALLER:

NAME: _____

ADDRESS: _____

PHONE: _____

PRODUCT NAME/DESCRIPTION: _____

SERIAL NUMBER: _____

COLOR: _____

