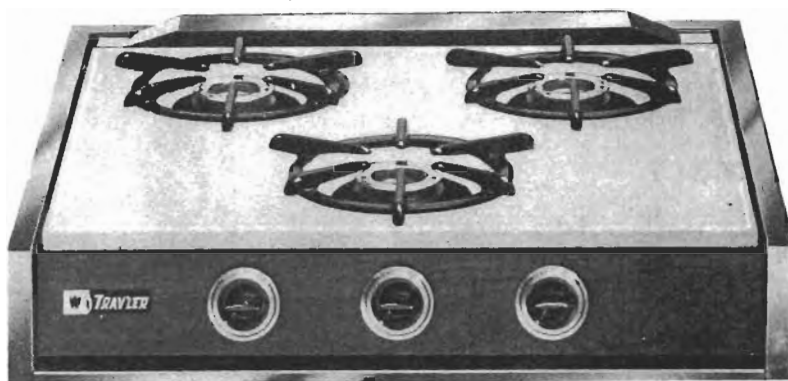


owners manual

RANGE COUNTER UNIT FOR RECREATIONAL VEHICLES MODEL 403-10

RANGE COUNTER UNIT

CAUTION:
Read Rules for
Safe Operation
and instructions
Carefully



- Assembly
- Installation
- Repair Parts

WARD & SON, INC.
15343 PROCTOR AVENUE
CITY OF INDUSTRY, CALIFORNIA 91744

instructions

RULES FOR SAFE OPERATION

1. Read the Owners Manual and these Rules for Safe Operation carefully.
2. Check that all applicable state and local codes regarding installation have been followed. The supplier of the propane gas is usually an expert in this regard.
3. Check that minimum clearances to combustible materials have been maintained.
4. When igniting the burners, have lighted match ready when the burners are turned on, if not equipped with lighters.
5. Never light matches in the vicinity if the odors of gas are noted.
6. A window or other air vent should be opened slightly while using the range counter unit. Gas burner flames consume oxygen which has to be replaced to assure proper combustion.
7. Do not tamper with the burner orifices or change their size.

GENERAL

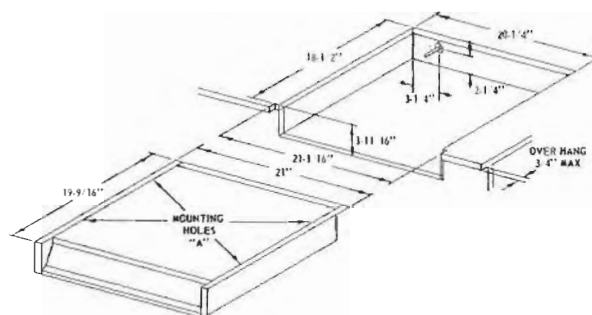
1. Your Range Counter Unit has been certified for performance and safety by The Underwriters Laboratories for use with liquefied petroleum gases only.
2. Burner inputs are shown on a plate attached to each appliance. Refer to this plate for ratings and minimum clearances. The orifices have been sized at the factory at a pressure of 11 inches water column (6-1/2 ounces approximately) for liquefied petroleum gases.

ASSEMBLY

Your new range is fully assembled with the exception of the burner grates and grate clip holddowns. These will be placed on unit after range installation is completed.

INSTALLATION

1. Consider the following when selecting the location for your range counter unit:
 - A. Location of gas supply and routing of gas line.
 - B. Minimum clearances of unit from combustible materials. These clearances are:
 - Sides - 6 inches minimum as measured from center of closest burner head.
 - Rear - 7 inches minimum as measured from center of closest burner head.
 - Top - 24 inches minimum as measured from top of unit to bottom of any overhanging cabinet or shelf.
 - C. Location with respect to windows where hanging curtains could be blown over the range and possibly ignited from the burners.
2. After selecting the best location, cut opening in counter top as shown in the sketch below.
3. Remove burner knobs, and main top assembly. This will expose gas manifold on unit.
4. Set range unit in place and secure with four No. 8 wood screws (not furnished). Holes for accommodating the screws are provided in the flange around the outside top of the burner box.
5. Install gas supply and route gas line (not furnished) to range counter unit. Here you should seek the assistance of a qualified service man. Usually the supplier of the gas will be able to provide expert help in this respect. Too, he will be able to provide the necessary parts, including the copper gas line. The following should be carefully considered:
 - A. The gas tank must be located in a protected place and cannot UNDER ANY CIRCUMSTANCES be located within the confines of the trailer or camper. The supplier of the gas will be acquainted with the applicable codes with respect to the location of the gas supply tank.
 - B. Gas supply line should be copper and should be routed in protected locations so as not to be damaged. A single, continuous line is recommended.
 - C. No connections should be made in the gas line where the connections would be concealed after completion of the installation. All parts used in making connections must be of type acceptable for this purpose. Gas line should not make any sharp bends nor have any kinks. The line should not be under strain.
6. After installing the gas supply and making all connections, check thoroughly for possible gas leaks. Turn the valves on the counter unit to their "off" positions. Open valve on gas supply tank. Using a soap and water solution, check each gas connection one-at-a-time by brushing the soap and water solution over the connection. Presence of bubbles will indicate a leak. Tighten fitting and recheck for leaks. If impossible to correct leak, replace fitting. **UNDER NO CIRCUMSTANCES USE MATCHES OR FLAME FOR CHECKING LEAKS.**
7. Slide main top assembly in place. Push burner



repair parts

knobs onto valve stems.

4. Place burner grates in position and secure in place with the clips provided. Instructions are provided on the envelope in which the clips are shipped. These grate clips will hold the grates in place while traveling.
5. Your range counter unit is now ready for use. When lighting, do not turn on the burners before a lighted match is available. Sometimes the burners will not ignite immediately and seem to "blow" slightly when they do ignite. This is usually due to the presence of air in the gas lines which will clear itself within several seconds. This is a normal condition.
6. If your range is equipped with optional pilot, it is not necessary to lift top to light pilot. Just light any 2 burners and the flame will carry over to the pilot.