

INSTALLATION INSTRUCTIONS FOR SLIDE-IN COOKTOP PUSH BUTTON IGNITER REPLACEMENT KIT

KIT #521157 IGNITER WITH CONTROL PANEL FOR SCN3 CONVENTIONAL AND SCS3 SEALED TOP BURNER SLIDE-IN COOKTOPS.

PLEASE NOTE: This kit will replace part number 232945 3-wire push button igniter which is no longer available.

WARNING! Improper installation, adjustment, alteration, service or maintenance can cause property damage, personal injury or loss of life. Refer to the installation instructions and/or owners manual provided with your appliance. The removal and re-installation of the appliance as well as the installation of component parts must be made by a qualified installer, service agency or the gas supplier.

WARNING! Installation of this appliance must be made in accordance with the written instructions provided in the manual. No agent, representative or employee of Airxcel, Inc., Suburban Division or other person has the authority to change, modify, or waive any provision of the instructions contains in the manual or instruction sheet.

The complete control panel assembly, including a new push button igniter is supplied as part of this kit. The instructions below outline the successive steps necessary to install the new control panel kit.

INSTALLATION INSTRUCTIONS

1. Lift slide-in cooktop main top with grate and remove screw from manifold tie-down bracket. See Figure 1.
2. Remove all terminals from the back of the existing push button igniter. See Figure 2.
3. Remove all knobs from their positions on the control panel.
4. Remove control panel screws (two on the top side of the panel, three on the bottom side of the panel) which hold the control panel in position. See Figure 3.
5. Remove the control panel with safety rod and set it aside.
6. Install the new control panel with safety rod and igniter with ground wire into position and secure in place both top and bottom with screws removed in step 4.
7. Install all terminals into the back of the new push button igniter and connect ground wire to manifold tie-down bracket with screw removed in step 1.
8. Put the slide-in cooktop main top with grate back into its normal position.
9. Re-position all knobs back onto the control panel.
10. Remove battery from plastic bag and install it inside igniter behind the screw-in push button knob.

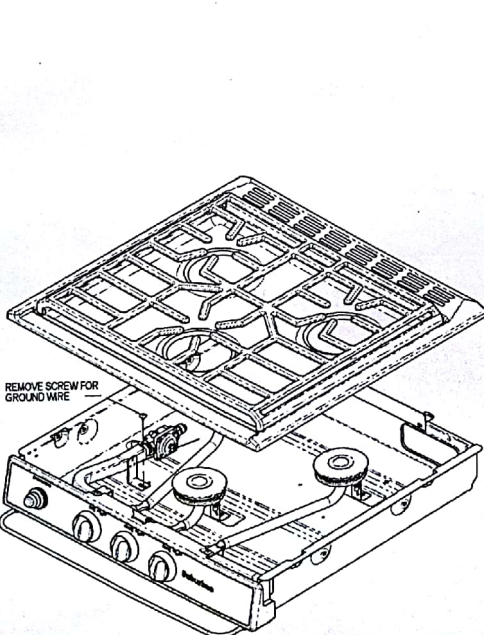


FIGURE 1

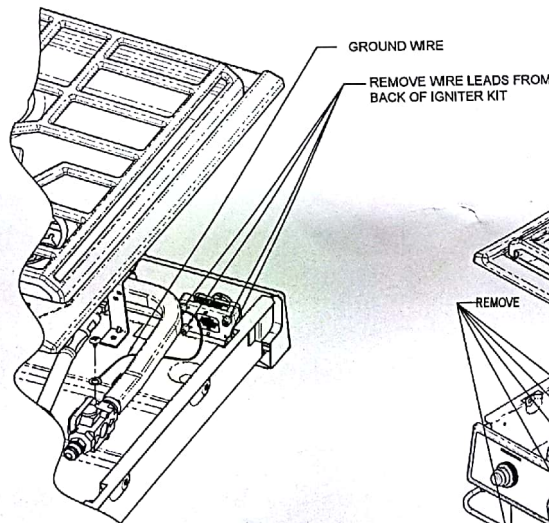


FIGURE 2

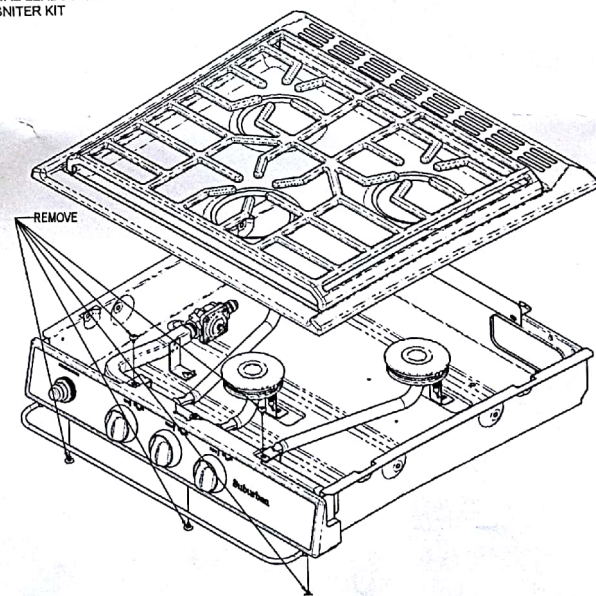


FIGURE 3