

Bulletin Number: VF-015
Effective: October 1, 1991

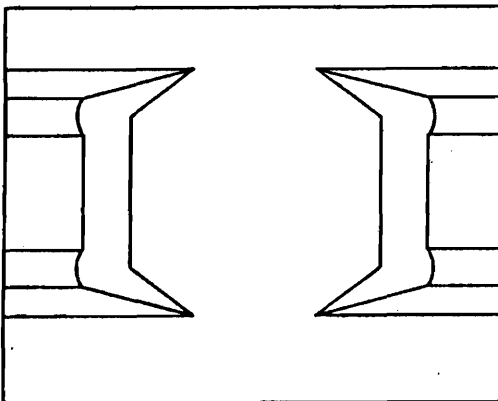
EXTERNAL LEAKAGE: CLAMP SUPPORT MODIFICATION

Affected Models: All VacuFlush® and Traveler® toilets.

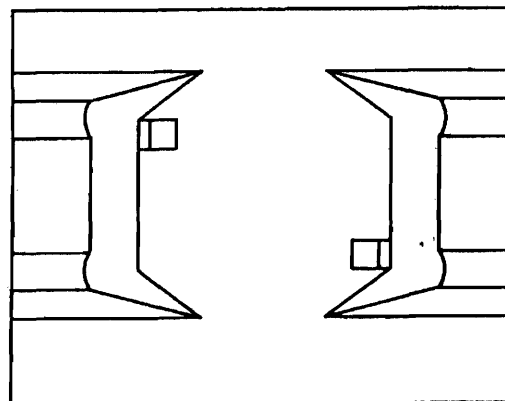
Symptom: Occasionally an external leak of bowl contents occurs in the rear of the toilet base area. Visible inspection of all components reveals no cracking or distortion. Leak occurs while customer is sitting on unit.

Cause: A study of the bowl-to-base seal was conducted to simulate loading in use. It was discovered that excessive front loading (in excess of 250 pounds) on the bowl caused the clamp supports holding the toilet base and bowl together to shift out of position.

Corrective Action: As of October, 1, 1990, all units have been produced with a modified clamp support. This modification consists of a tab molded into the interior surface of the clamp support. The tab is in an offset position so when the two clamp supports are assembled on the toilet, the tabs prevent shifting of the clamp supports during excessive loading conditions on the front of the bowl.



Old Style



New Style

Ordering Replacements: To order a set of replacement clamp supports, utilize the existing clamp support part numbers. Clamp supports are currently available in White, Bone, and Platinum.