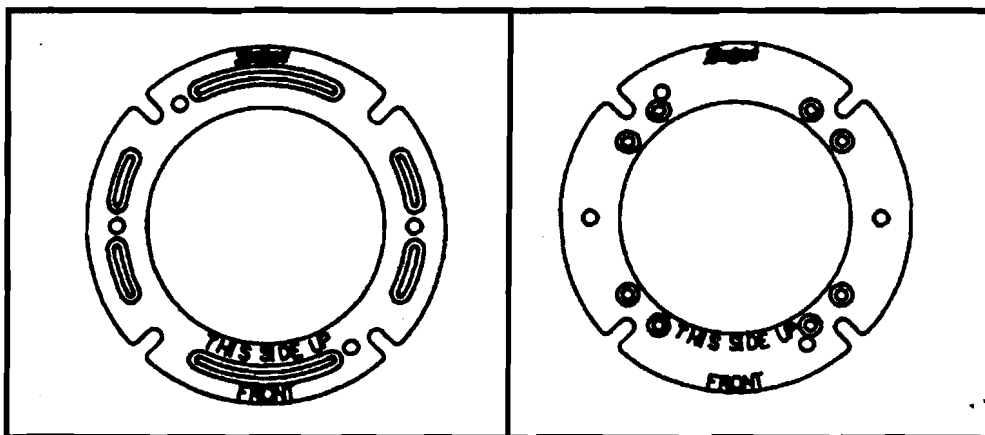


**Bulletin Number: RV-002**  
**Effective : October 1, 1990**

## REVISED UNIVERSAL MOUNTING KIT

**Revised Product Information:** *The Universal Mounting Kit has proven to be a very efficient means of converting a two-bolt closet flange to a four-bolt flange as is required for mounting a Traveler® toilet. The original flange design utilized mounting screws located in such a way that they missed the existing mounting screw heads. In a few cases, this method resulted in an unsatisfactory seal between the mounting ring and existing closet flange.*

**Corrective Action:** *The mounting ring has been modified to insure that eight equally spaced mounting screws could be used.*



**Old Style Mounting Ring**

**New Style Mounting Ring**

**Ordering Information:** *Kits shipped after October 1, 1990, have the revised mounting method. The same part numbers should be used for ordering. Any kits of the older design still in dealer inventory can be replaced by contacting our Customer Service Department at 800/321-9889.*