



1217 E. 7th Street
 Mishawaka, IN 46544
 Phone: 1-800-334-4712
 1-888-339-2539
 Fax: 574-256-6743

T.I.P. Troubleshooting Information on Power Gear

SERVICE KIT (PG# 800126S) ABF MANUAL TO ELECTRIC

Instructions for removal of manual actuator:

1. Refer to Diagram A.
2. Remove socket head screws (1A) and washers (2A) to release spring tension (3A).
3. Remove hex head bolts (4A) and mounting plate (5A). **Note: Save these parts for re-assembly.**
4. Remove nuts (6A), washers (7A), and cover plate (8A).
5. Remove hex head bolts (9A), and manual actuator (10A) and gear shaft assembly (11A) should be free to be removed.

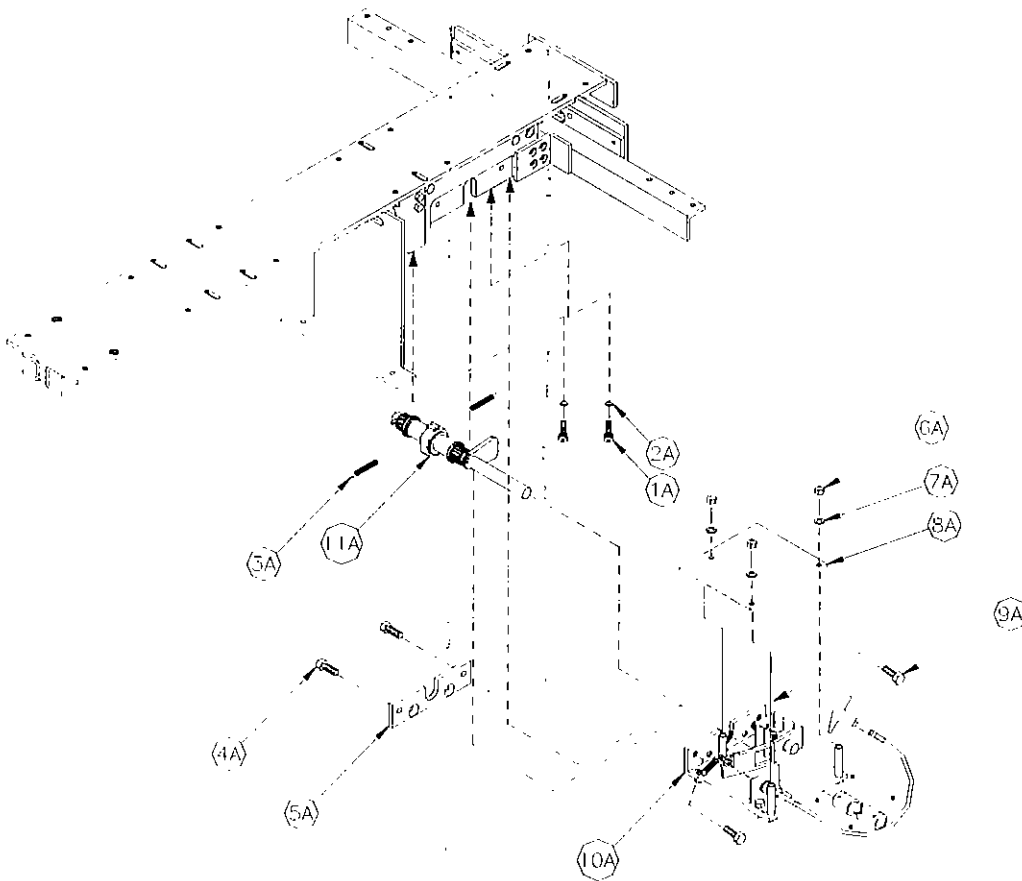


Diagram A

Instructions for re-assembly of electric actuation:

1. Refer to Diagram B.
2. Install gear shaft (2B) into motor with disengagement box (1A).
3. Install mounting plate (3B) onto disengagement box using cap screws (4B).
4. Install motor and gear shaft assembly into roller rack using flange bolts (6B).
5. Install mounting plate (5A) with bolts (4A).
6. Wire motor to 12V power supply using switch and relay supplied. **Note: See wiring diagram.**

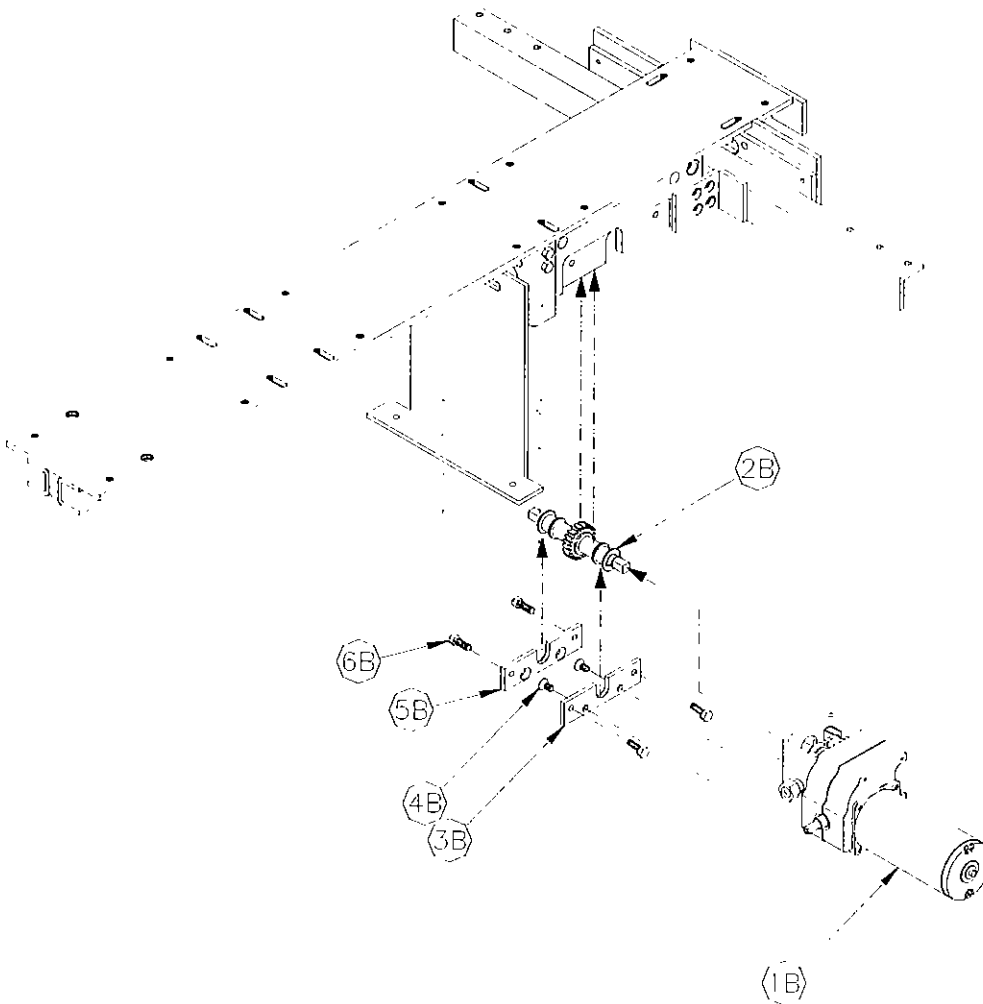


Diagram B

Bill of Materials:

	Item #	P/N	Description	Qty
3B	DN13736		DISENGAGEMENT BOX MTG PLT	1
2B	DN13762		SHAFT ASSY ABF	1
4B	DN13769		5/16"-18 X 5/8" CAP SCREW	2
1B	DN14370		DISENGAGE BOX W/CAST BOX/	1
6B	150-1468		BOLT FLANGE 5/16-18x3/4 H	2

Not Shown:

522671	ELECT KIT ABF S/O (TRM)	1
--------	-------------------------	---

Electric Kit Includes:

DN13819	RELAY PACK NON-WATER PROO	1
IP10260	SWITCH COVER WHITE	1
IP10265	SWITCH ROCKER WHITE S4-36	1

Wiring Diagram

