

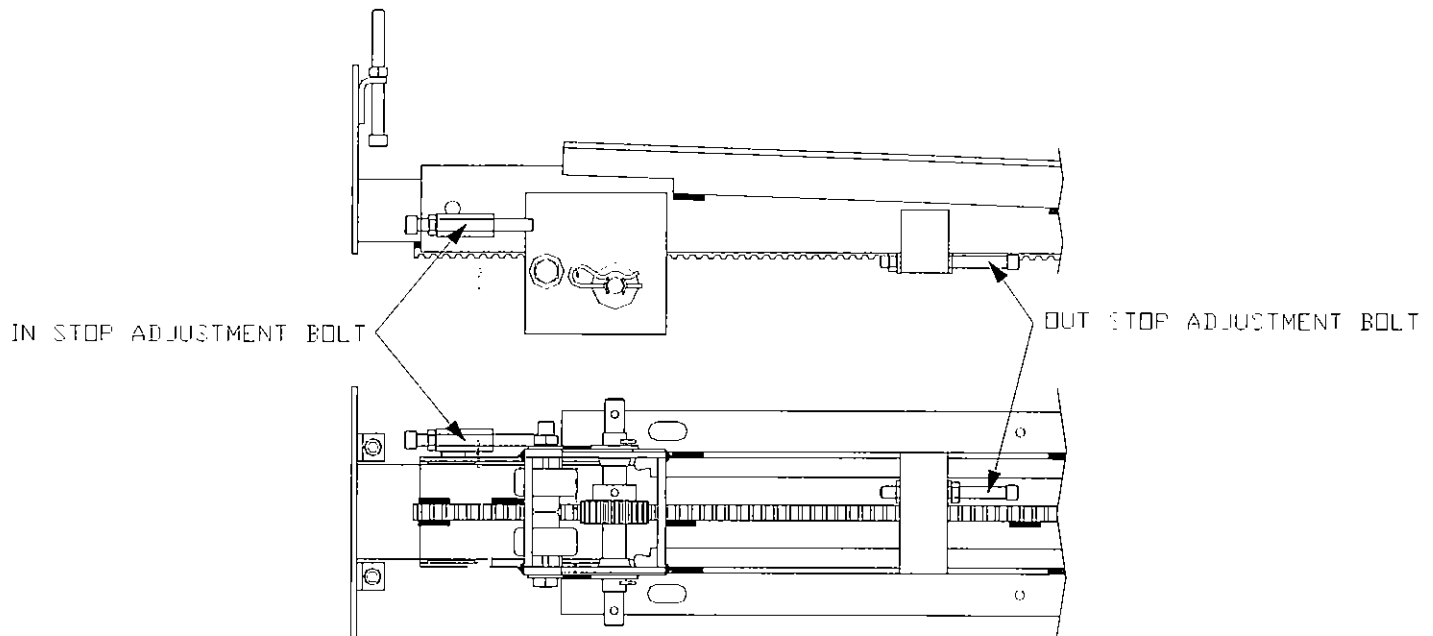


1217 E. 7th Street
Mishawaka, IN 46544
Phone: 1-800-334-4712
1-888-339-2539
Fax: 574-256-6743

T.I.P. Troubleshooting Information on Power Gear

ADJUSTING "IN" AND "OUT" STOPS ON LOW PROFILE SLIDE-OUT SYSTEM

Each rail of the slide-out system has individual "IN" and "OUT" stops.



These stops can easily be adjusted using the procedure shown below.

For the "OUT" stop.

1. Extend the room out to the desired position.
2. Loosen the jam nut (9/16") on the adjustable stop bolt.
3. Screw the adjustable stop bolt out until it contacts the inner rail.
4. Tighten the jam nut to secure the bolt in the proper position.
5. Test the stop location by running the room. Repeat steps 1 – 4 to re-adjust.

For the "IN" stop.

1. Check the seal of the room prior to adjusting the stops.
2. Using a 9/16" wrench or ratchet adjust the "IN" stop bolts in or out to the desired location (note the locking nut does not require a jam nut).
3. Test the seal. If more adjustment is needed repeat steps 1 – 2.