

Échelon™

CLR2060
CLEAR
ICE
MAKER

U
S
E
R
M
A
N
U
A
L



U-LINE
CORPORATION

U-LINE CORPORATION LIMITED WARRANTY

U-Line Corporation warrants each U-Line product to be free from defects in materials and workmanship for a period of one year from the date of purchase; and warrants the sealed system (consisting of the compressor, the condenser, the evaporator, the hot gas bypass valve, the dryer and the connecting tubing) in each U-Line product to be free from defects in materials and workmanship for a period of five years from the date of purchase. During the initial one-year warranty period for all U-Line products U-Line shall: (1) at U-Line's option, repair any product or replace any part of a product that breaches this warranty; and (2) for all Marine, RV and Domestic U-Line products sold and serviced in the United States (including Alaska and Hawaii)and Canada, U-Line shall cover the labor costs incurred in connection with the replacement of any defective part. During years two through five of the warranty period for the sealed system, U-Line shall: (1) repair or replace any part of the sealed system that breaches this warranty; and (2) for all Marine, RV and Domestic U-Line products sold and serviced in the United States (including Alaska and Hawaii)and Canada, U-Line shall cover the labor costs incurred in connection with the replacement of any defective part of the sealed system. All other charges, including transportation charges for replacements under this warranty and labor costs not specifically covered by this warranty, shall be borne by you. This warranty is extended only to the original purchaser of the U-Line product. The Registration Card included with the product should be promptly completed by you and mailed back to U-Line, or you can register on-line at www.U-LineService.com.

The following are excluded from this limited warranty: installation charges; damages caused by disasters or acts of God, such as fire, floods, wind and lightning; damages incurred or resulting from shipping, improper installation, unauthorized modification, or misuse/abuse of the product; customer education calls; food loss/spoilage; door and water level adjustments (except during the first 90 days from the date of purchase); defrosting the product; adjusting the controls; door reversal; or cleaning the condenser.

If a product defect is discovered during the applicable warranty period, you must promptly notify either the dealer from whom you purchased the product or U-Line at P.O. Box 23220, Milwaukee, Wisconsin 53223 or at 414-354-0300. In no event shall such notification be received later than 30 days after the expiration of the applicable warranty period. U-Line may require that defective parts be returned, at your expense, to U-Line's factory in Milwaukee, Wisconsin, for inspection. Any action by you for breach of warranty must be commenced within one year after the expiration of the applicable warranty period.

This limited warranty is in lieu of any other warranty, express or implied, including, but not limited to any implied warranty of merchantability or fitness for a particular purpose; provided however, that to the extent required by law, implied warranties are included but do not extend beyond the duration of the express warranty first set forth above. U-Line's sole liability and your exclusive remedy under this warranty is set forth in the initial paragraph above. U-Line shall have no liability whatsoever for any incidental, consequential or special damages arising from the sale, use or installation of the product or from any other cause whatsoever, whether based on warranty (express or implied) or otherwise based on contract, tort or any other theory of liability.

Some states do not allow limitations on how long an implied warranty lasts or the exclusion or limitation of incidental or consequential damages, so the above limitations may not apply to you. This warranty gives you specific legal rights, and you may also have other rights which vary from state to state.

INTRODUCTION

Congratulations on your purchase of a U-Line CLR2060 Ice Maker. A pioneer in the field for more than 40 years, U-Line is the world's number one manufacturer of built-in, under-counter ice making and specialty refrigeration products. U-Line dedicates 100% of its research and development to these products. The result: U-Line leads the market with innovation, design, depth of product line and performance.

U-Line also backs customers with a strong dealer network. U-Line's commitment to quality even extends to environmentally safe packaging. U-Line products are making life more convenient in homes, businesses and hotels around the world.

IMPORTANT

PLEASE READ all instructions completely before attempting to install or operate the unit. All Ice Makers require a connection to the water supply. Improper hook-up can result in substantial property damage! If you are unsure of your ability to safely connect the water supply to the unit, and the unit to the drain, consult a licensed plumber for assistance.

Once you have your unit installed, we suggest you keep this manual in a safe place for future reference. Should any problems occur, refer to the **TROUBLESHOOTING** section of this manual. This information will help you quickly identify a problem and get it remedied. In the event you require assistance, please contact the dealer where you purchased your unit.

PLEASE RECORD YOUR MODEL'S INFORMATION

Whenever you call to request information or service, you will need to know your model number and serial number. You can find this information on the serial plate located on the inside wall of your unit and on the product registration card.

PRODUCT REGISTRATION CARD

The package containing this manual also includes your product registration information. Warranty coverage begins at the time your ice maker was purchased.

NOTE

Complete and mail the Product Registration Card as soon as possible to validate the registration date. You may also register online at www.U-LineService.com.

User's Manual

If you do not return your Product Registration Card, U-Line will use the date of sale to the U-Line distributor as the first date of warranty for your new ice maker. Please also record the purchase date of your U-Line unit and your dealer's name, address and telephone number.

Model Number: _____
Serial Number: _____
Purchase Date: _____
Dealer Name: _____
Dealer Address: _____
Dealer Telephone: _____

Keep this manual and the sales receipt together in a safe place for further reference.

TABLE OF CONTENTS

INTRODUCTION.....	1
SAFETY PRECAUTIONS	3
INSTALLATION DIMENSIONS.....	5
DRAIN INSTALLATION	5
CONNECTING A DRAIN PUMP	8
SITE PREPARATION	9
CONNECTING THE WATER SUPPLY	12
LEVELING THE UNIT	14
REVERSING THE DOOR	15
DOOR ADJUSTMENT	18
CUSTOM DOOR PANELS	20
BUILT-IN INSTALLATION.....	22
INITIAL START-UP.....	23
NORMAL OPERATION	24
OUTDOOR USE	27
MAINTENANCE.....	28
STORAGE, VACATION AND MOVING	34
TROUBLESHOOTING	36
IF SERVICE IS REQUIRED	38
REPLACEMENT PARTS	38

SAFETY PRECAUTIONS

Do not attempt to install or operate your unit until you have read the safety precautions in this manual. Safety items throughout this manual are labeled with a Danger, Warning or Caution based on the risk type.

DEFINITIONS



This is the safety alert symbol. It is used to alert you to potential personal injury hazards. Obey all safety messages that follow this symbol to avoid possible injury or death.



DANGER



DANGER indicates an imminently hazardous situation which, if not avoided, will result in death or serious injury.



WARNING

WARNING indicates a potentially hazardous situation which, if not avoided, could result in death or serious injury.



CAUTION

CAUTION indicates a potentially hazardous situation which, if not avoided, may result in minor or moderate injury.

CAUTION

CAUTION used without the safety alert symbol indicates a potentially hazardous situation which, if not avoided, may result in property damage.

IMPORTANT

Indicates installation, operation or maintenance information which is important but not hazard related.

User's Manual

GENERAL PRECAUTIONS



DANGER



RISK OF CHILD ENTRAPMENT. Before you throw away your old refrigerator or freezer, take off the doors and leave shelves in place so that children may not easily climb inside.



WARNING

- Never attempt to repair or perform maintenance on the unit until the electricity has been disconnected.
- Altering, cutting of power cord, removal of power cord, removal of power plug, or direct wiring can cause serious injury, fire and/or loss of property and/or life and will void the warranty.



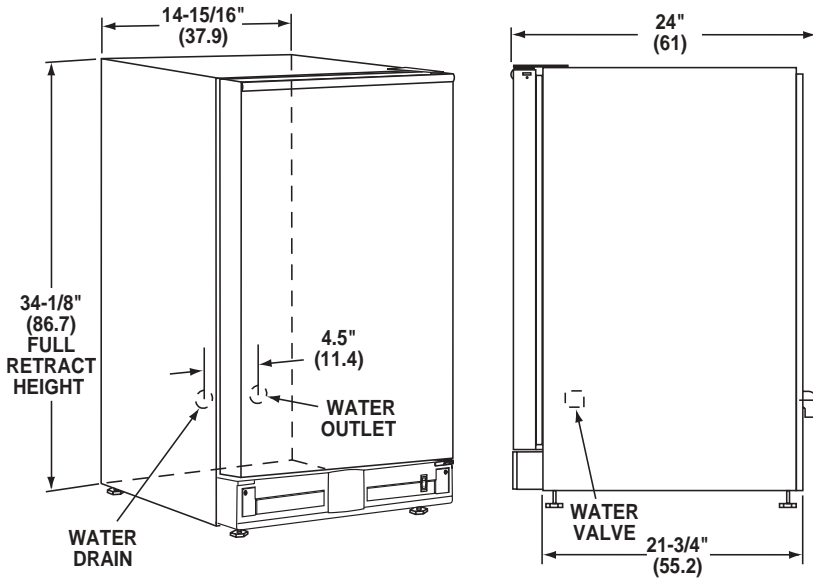
CAUTION

- Do not lift unit by door handle.
- Use care when moving the unit. Some edges are sharp and may cause personal injury. Wear gloves when moving or repositioning the unit.
- Never install the unit behind closed doors. Be sure front grille is free of obstruction. Obstructing free air flow can cause the unit to malfunction, and may void the warranty.
- Allow unit temperature to stabilize for 24 hours before use.
- Never use an ice pick or other sharp instrument to help speed up defrosting. These instruments can puncture the inner lining or damage cooling unit
- Failure to clean the condenser every three months can cause the unit to malfunction. This could void the warranty.

CAUTION

- Using a heater to speed up defrosting can cause personal injury and damage to the inner lining. **DO NOT** use any type of heater to defrost.
- Use only genuine U-Line replacement parts. Imitation parts can reduce ice rate, cause water to overflow from ice maker mold, damage the unit, and may void the warranty.

INSTALLATION DIMENSIONS



UL202

Figure 1

DRAIN INSTALLATION

IMPORTANT

PLEASE READ all instructions completely before attempting to install or operate the unit. All Ice Makers require a connection to the water supply and improper hook-up can result in substantial property damage! All water and drain connections **MUST BE** made by a licensed/qualified plumbing contractor. Failure to follow recommendations and instructions may result in damage and/or harm.

CAUTION

Plumbing installation must observe all state and local codes. All water and drain connections **MUST BE** made by a licensed/qualified plumbing contractor. Failure to follow recommendations and instructions may result in damage and/or harm.

The CLR2060 can be installed using a gravity drain or can use a factory installed or equivalent drain pump.

User's Manual

Follow these guidelines when installing drain lines to prevent water from flowing back into the ice maker storage bin and/or potentially flowing onto the floor causing water damage:

Gravity Drain

- Drain lines must have a 5/8" inside diameter.
- Drain lines must have a 1" drop per 48" of run (1/4" per foot) and must not create traps.
- The floor drain must be large enough to accommodate drainage from all drains.
- Insulate the bin drain line to prevent condensation.

CLR2060 With Factory Installed Drain Pump

NOTE

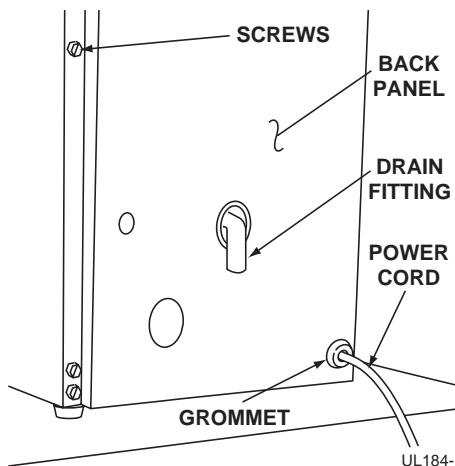
Before installing your U-Line CLR2060 With Factory Installed Pump, it is extremely important to check and test all hose connections at the drain pump. There is a possibility that hose connections may have loosened during shipment.



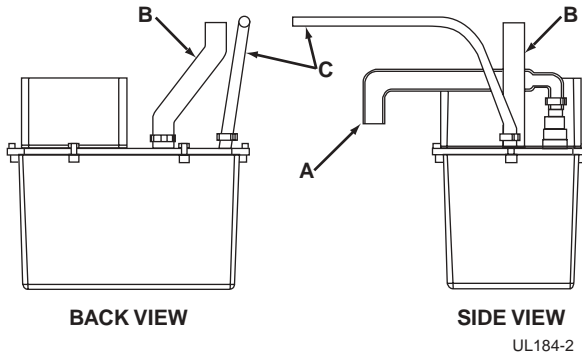
WARNING

To prevent accidental electrocution, make certain that the floor surfaces surrounding the unit are dry whenever power is removed from, or applied to the unit.

1. Make certain the unit is not plugged into an electrical outlet.
2. Carefully push the power cord grommet through the hole in the back panel.



3. Remove 12 screws and back panel.
4. Check that the clamps and hose connections are tight at the following areas:
 - Discharge tube (A)
 - Drain tube (B)
 - Vent tube (C)



5. Place a suitable container beneath the pump's discharge tube. (The bucket must be able to hold a minimum of one gallon.)



WARNING

Back panel serves as a guard. **DO NOT** put your hands inside the ice maker cabinet or attempt to touch any components except the discharge tube during testing. Failure to follow this warning could result in serious personal injury or death.

6. Plug the ice maker power cord into a properly grounded, polarized electrical outlet.
7. Verify pump operation by pouring one gallon of water into the ice storage bin of the ice maker. The pump should energize and pump the water into the container.
8. At this time, verify that all tube and clamp connections are tight and leak free.
9. Unplug unit power cord from electrical outlet.
10. Leave back panel off for water supply line installation.
11. Continue to the next step in the installation process, **SITE PREPARATION**.

CONNECTING A DRAIN PUMP

If a gravity drain connection is not available, and you have not purchased the CLR2060 with factory installed pump, we strongly recommend the use of the U-Line P60 drain pump. The U-Line P60 drain pump is available through your Dealer, or direct from U-Line with complete installation instructions. If a pump other than the U-Line P60 drain pump is to be used, it must meet the following specifications:

- It must be UL listed and have a UL listed, 120 VAC, 3-wire grounded power cord.
- It must have overall maximum outside dimensions of 8-3/4" wide x 5-3/4" deep x 7-3/4" high.
- It must have a minimum flow rate of 15 gallons per hour at 10 feet of lift.
- It must have a sealed sump which does not allow water leakage in the case of a power outage, restricted drain or pump failure.
- It must have a check valve in the discharge line to prevent waste water return to the pump.
- It must have an overflow protection control which will shut off power to the ice maker in the event of a pump failure.
- It must have an operating temperature range of 50°F to 110°F (10°C to 40°C).

CAUTION

In the event of a power outage, restricted drain or pump failure, the failure to use the U-Line P60 drain pump or a pump with the above listed specifications, could result in substantial water leakage and pooling with severe and costly water damage and related consequential damages and harm.

SITE PREPARATION

1. Position the unit on a flat, level surface, capable of supporting the entire weight of the unit. Remember that the unit will be significantly heavier once it is fully loaded.

IMPORTANT

It is extremely important that the unit is level. If it is not level, the ice mold will not fill evenly. This can cause a reduction in ice rate, uneven sized cubes or water spilling into the storage area which will cause the ice in the bin to melt prematurely. Remember that floors near drains have a tendency to slope towards the drain.

2. The surrounding air temperature must be at least 50°F (10°C) but must not exceed 110°F (40°C).
3. The unit must not be located near heat-generating equipment or in direct sunlight.
4. The unit must be located to allow clearance for water, drain and electrical connections in the rear of the ice maker.
5. Connect the unit to its own grounded and polarized 115 VAC, 60 Hz, 15A circuit (normal household current).
6. Avoid connecting the unit to a Ground Fault Interruptor (GFI). GFIs are prone to nuisance tripping which will cause the unit to shut down. GFIs are generally not used on circuits which power equipment that must run unattended for long periods of time.
7. The unit must be installed according to your local codes and ordinances.

DANGER



ELECTROCUTION HAZARD!

Electrical Grounding Required. This appliance is equipped with a three prong (grounding) polarized plug for your protection against possible shock hazards. It must be plugged into a properly grounded three-prong receptacle.

- NEVER remove the round grounding prong from the plug.
- NEVER use a two-prong grounding adapter.
- NEVER use an extension cord to connect power to the unit.

Where a two-prong wall receptacle is encountered or a longer power cord is required, contact a qualified electrician to have it replaced in accordance with applicable electrical codes.

NOTE

The door of the unit may be mounted on either side of the cabinet (see **REVERSING THE DOOR**). All U-Line units (except Stainless Steel models) have a zero clearance for the door to open (see Figure 2). See **BUILT-IN INSTALLATION** for additional clearance requirements.

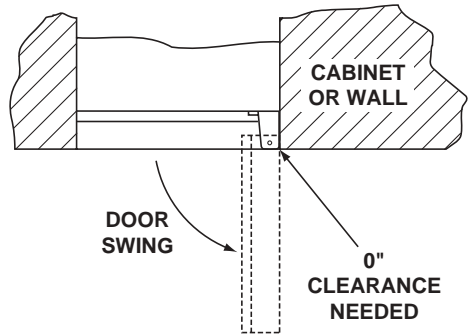


Figure 2

NOTE

Stainless Steel models require a minimum of 2-1/2" door clearance.

8. Install and connect the water supply line. See **CONNECTING THE WATER SUPPLY** for installation requirements.
9. Position the unit to allow free air flow through the front grille (see Figure 3).

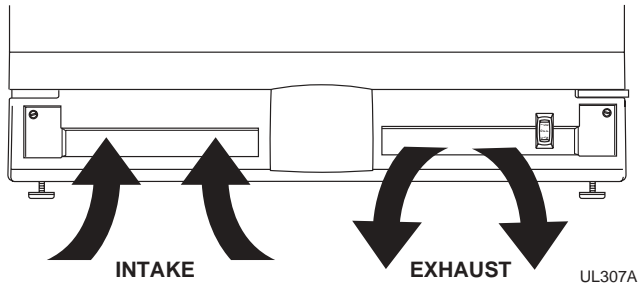


Figure 3

10. Wipe out inside of unit with a damp cloth.

CONNECTING THE WATER SUPPLY

When connecting the water supply, follow these guidelines:

- Review the local plumbing codes before you install the unit.
- In most instances, the **cold water supply** will come from the basement through a hole in the floor.
- The water pressure should be between 20 and 120 psi.

CAUTION

If you are using a filter system you will need to have at least 20 psi for 3 minutes every 15 minutes.

- Install a SHUT-OFF VALVE in the 1/4" supply line (not supplied with unit).
- Connect sufficient tubing to the unit to allow the unit to be moved for cleaning and servicing. However, make certain that the tubing is not pinched or damaged during installation.
- U-Line recommends the use of copper tubing for installation.

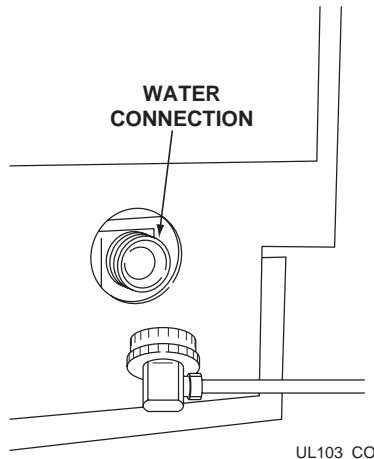
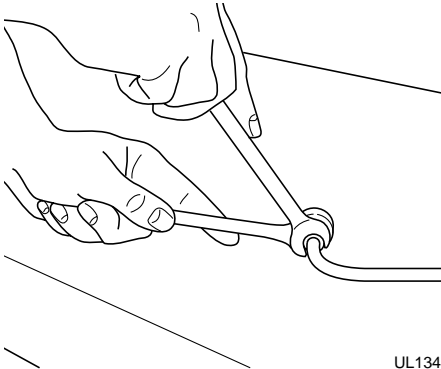


Figure 4

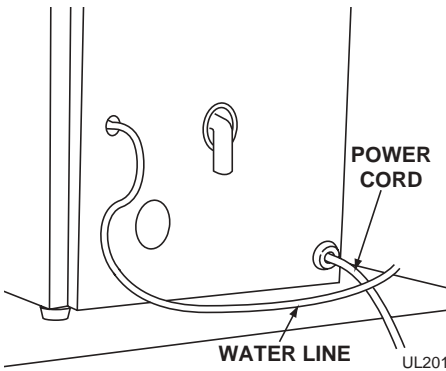
1. Locate the compression fitting and ferrule packed in the unit. Slide the compression fitting and ferrule over the 1/4" water supply line. Do not use thread sealing compound or tape. Using two wrenches, tighten the compression fitting on the supply line (see Figure 5).



UL134

Figure 5

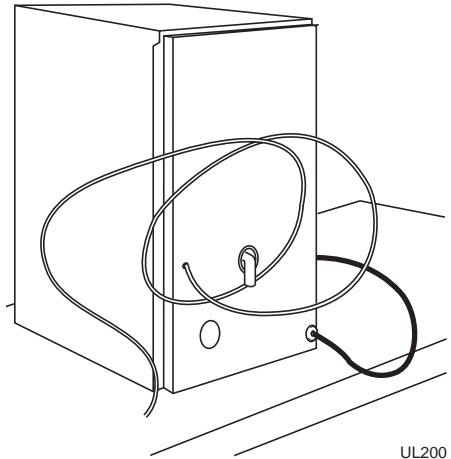
- Carefully bend the water supply line into position and connect the line to the solenoid valve (see Figure 6). Avoid kinking the water supply line.



UL201

Figure 6

- For recessed installations, allow extra water supply line length to provide slack for easy removal from the recessed area (see Figure 7). This will also safeguard against kinking the line.



UL200

Figure 7

NOTE

After completing the installation, turn on the water and recheck water and drain connection for leaks. Apply additional tightening if needed. Do NOT use thread sealing compound or tape.

- Plug in the power cord.
- Gently push the unit into position. If desired the unit may be recessed into cabinet or wall.
- Allow at least 1-1/2" clearance behind the unit for electrical, water supply and drain connections.

LEVELING THE UNIT

NOTE

It is extremely important that the unit is level. If it is not level, the ice mold will not fill evenly. This can cause a reduction in ice rate, uneven sized cubes or water spilling into the storage area which will cause the ice in the bin to melt prematurely. Remember that floors near drains have a tendency to slope towards the drain.

1. Use a level to check the levelness of the ice maker from front to back and from side to side (see Figure 8).
2. If the ice maker is not level, adjust the feet on the corners of the unit as necessary (see Figure 9).

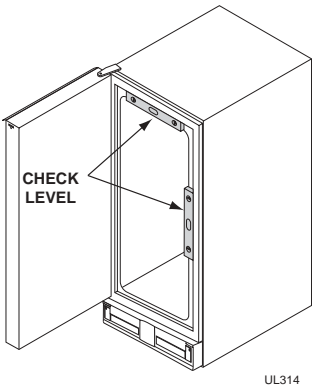


Figure 8

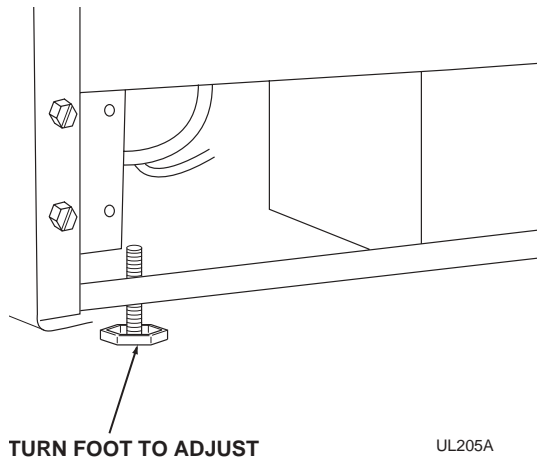
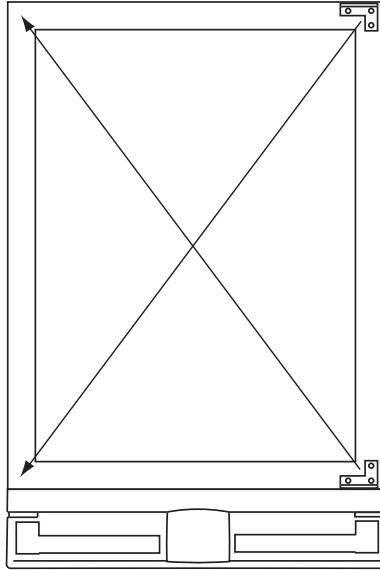


Figure 9

3. Check the levelness after each adjustment and repeat the previous steps until the unit is level.

REVERSING THE DOOR

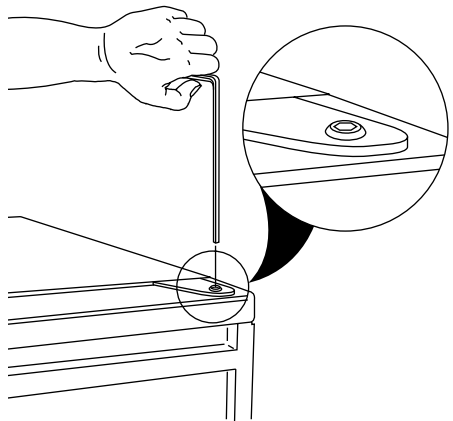
All U-Line units (except Stainless Steel models) may be left or right hand opening. The door opening is easily reversed by moving the hinge hardware to the opposite side (see Figure 10). To reverse the door:



UL318B

Figure 10

1. Remove top hinge screw pin (7/64" Allen wrench) from cabinet (see Figure 11). Remove door by tilting forward and lifting off bottom hinge pin.



UL310

Figure 11

User's Manual

2. Remove plastic screw plugs (3 each, top and bottom) from new hinge location. Do not discard (see Figure 12).
4. Remove the two door closer inserts from the existing bottom hinge and install as shown on the new bottom hinge (see Figure 14).

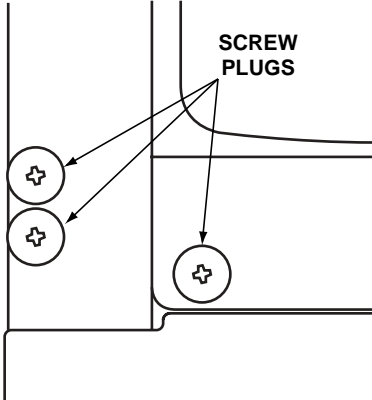


Figure 12

UL308

3. Remove top hinge (3 screws), reinstall hinge screw pin, and remount on opposite side BOTTOM (see Figure 13).

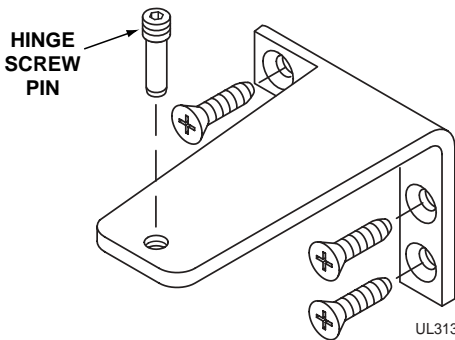


Figure 13

UL313

5. Remove existing bottom hinge (3 screws) and remount on opposite side TOP. Remove hinge screw pin.
6. With bottom of door facing up, remove pivot plate (2 screws), flip over, and remount on opposite side of door (see Figure 15).

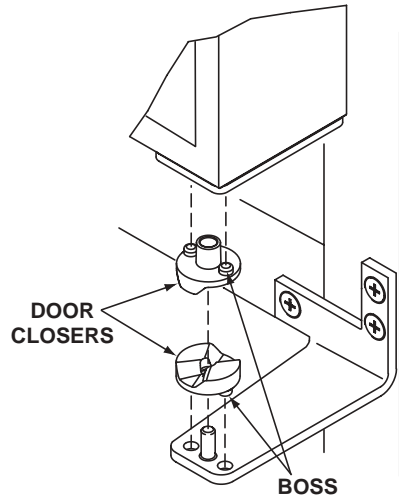
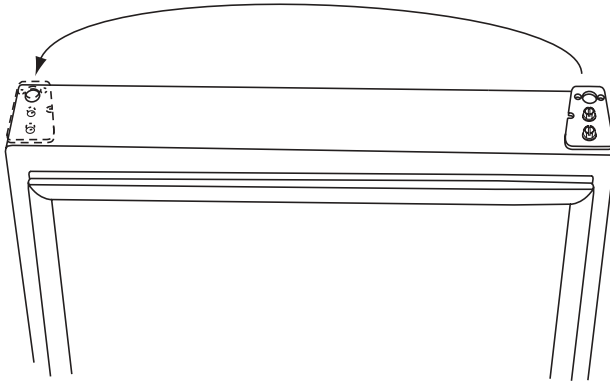


Figure 14

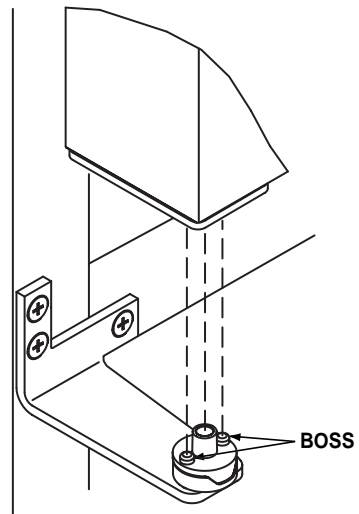
UL312



UL319

Figure 15

7. Holding door upright with top of door tilted forward, place hole of door pivot plate on bottom hinge screw pin (see Figure 16). Be sure that the bosses on the closers align with holes in hinge and hinge plate.
8. Tilt top of door into position in top hinge and install top hinge screw pin.
9. Install plastic screw plugs removed in Step 2 in old hinge holes (3 each, top and bottom).



CLRC008

Figure 16

DOOR ADJUSTMENT

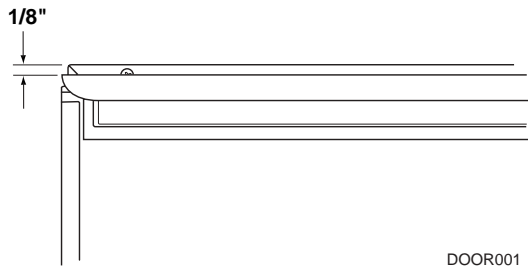
Your door is aligned at the factory before shipment. Occasional re-adjustment may be necessary, especially if an Overlay Panel is installed. The following procedure will correct for up to 1/4" alignment.

IMPORTANT

The door should never be flush with the top of the cabinet. Even when level, the top edge of the door will be 1/8" below the top of the cabinet (Figure 17).

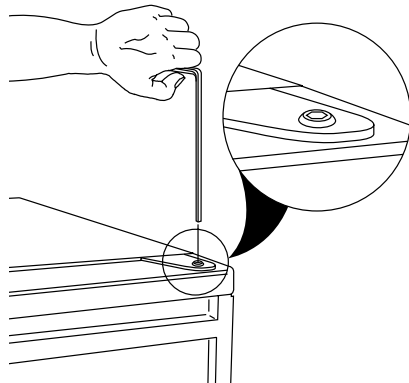
To adjust :

1. Compare the top edge of the door (opposite the hinges) to the top edge of the cabinet and note the type (up or down) of adjustment needed.
2. Remove the top hinge pivot pin with a 7/64" hex wrench (Figure 18) and lift door off bottom hinge pin. Be careful not to lose door closers (Figure 20).



DOOR001

Figure 17

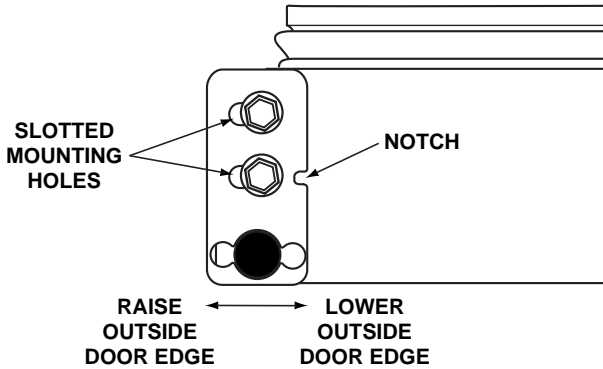


UL310

Figure 18

3. With door upside-down, loosen but do not remove the two hinge plate screws.

- If door edge opposite the hinges needs to move up, move plate toward outside of door. If door edge needs to move down, move plate toward inside of door (Figure 19). Repeat until top edge of door is parallel with top of cabinet and tighten screws securely.



CLRCO001a

Figure 19

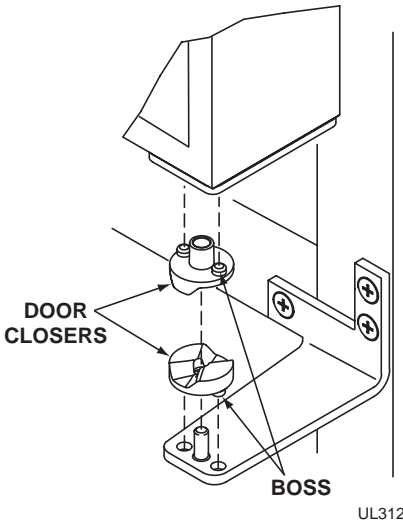


Figure 20

- After adjustment is complete, remove the door closers from the bottom hinge, clean thoroughly and apply petroleum jelly to the mating surfaces of the closers (Figure 20). Be sure that bosses on closers align with holes in hinge and hinge plate. Mount door and install top hinge pivot pin.

User's Manual

CUSTOM DOOR PANELS

Two types of custom door panels can be installed on your U-Line unit to harmonize with or accent the surrounding decor.

FULL OVERLAY DOOR PANEL

A full overlay door panel completely covers the door frame and handle to give a built-in appearance. See your U-Line dealer for the optional Full Overlay Door Panel Kit which contains the Panel Preparation Document for building and installing a full overlay panel or visit our website at www.u-line.com. See Table 1 and Figure 21 for full overlay door panel dimensions.

Table 1. Full Overlay Panel Dimensions

Model	A	B
CLR2060	29-7/8"	14-3/4"

CUSTOM INSERT DOOR PANEL

A custom door panel can be inserted into the door frame to better match the surrounding decor. Custom door panels can be flat or raised, as long as the maximum panel thickness where inserted into the door reveal (channel) is 1/4" thick. For raised panels, the depth of the reveal is 1/4" on all four sides. See Table 2 and Figure 21 for custom door panel insert dimensions.

Table 2. Custom Insert Door Panel Dimensions

Model	A	B
2015 Series	28-5/32"	14-1/32"

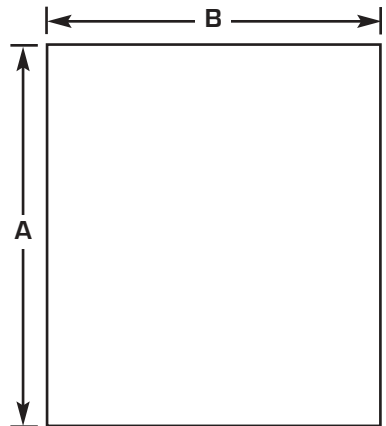


Figure 21

IMPORTANT

The door panel insert must not weigh more than 20 lbs.
The thickness of the full overlay door panel must be 3/4".

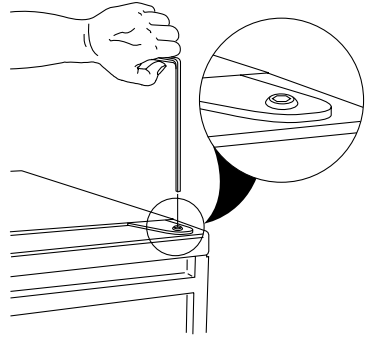
Install the insert as follows:



WARNING

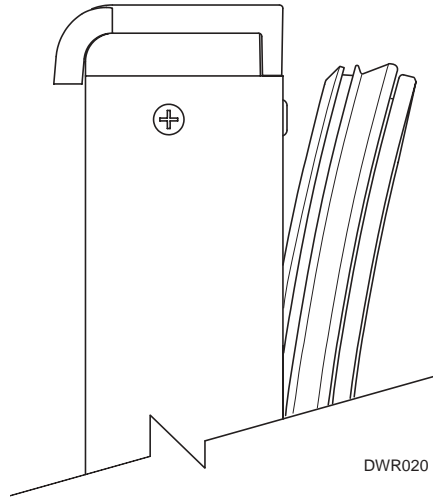
Insert edges may be SHARP! Use care when installing.

1. Remove top hinge screw pin (7/64" Allen wrench, see Figure 22). Remove door by tilting forward and lifting off bottom hinge pin.
2. Pull door gasket out of groove (top edge of door only). Start in the middle and pull outward, moving toward the edge (see Figure 23). This may take some force. Do not remove the three screws behind gasket.
3. Remove two outside screws holding door handle. Slightly separate door handle from door (Figure 24).
4. Pull handle up and off. Remove outer door panel and cardboard spacer.
5. Slide custom door panel insert into 1/4" channel in door front.
6. Holding door gasket out of the way, replace handle on door making sure it is seated properly on insert and that screw holes line up.
7. Install two small screws removed in step 3.
8. Starting at the corners and working inward, push door gasket into place on door.
9. Place door on bottom hinge pin and install upper hinge screw.



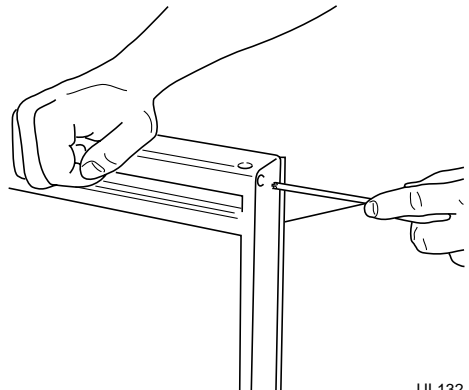
UL310

Figure 22



DWR020

Figure 23



UL132

Figure 24

BUILT-IN INSTALLATION

Your U-Line product has been designed for either free-standing or built-in installation. When built-in, your U-Line product does not require additional air space for top, sides or rear. However, the front grille must NOT be obstructed.

CAUTION

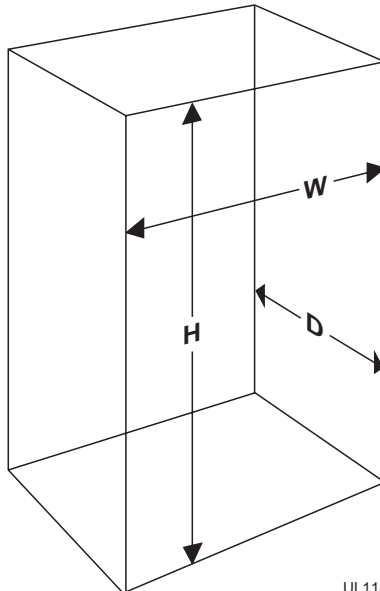
Do not install unit behind closed doors.

Table 3. Built-in Cabinet Dimensions

Model	Unit Dimensions		
	Width	Height	Depth
CLR2060	14-15/16"	34-1/8"	24"

NOTE

Required for ease of installation, removal and door opening, you **must** allow an additional 1/4" to width of unit. The unit must be located to allow clearance for water, drain and electrical connections in the rear of the ice maker.

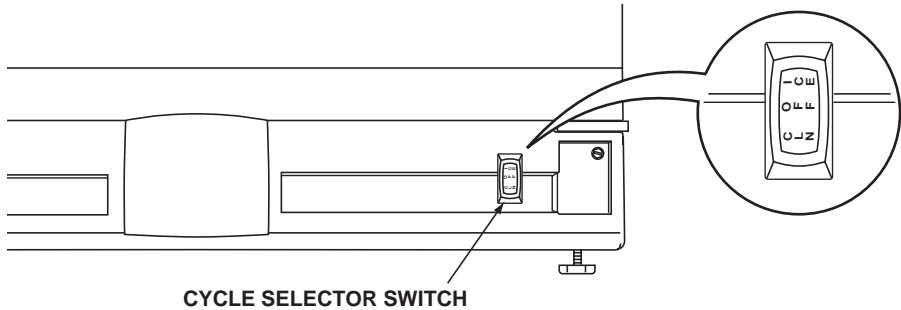


UL118

Figure 25

INITIAL START-UP

Once installation and leveling is complete, the unit is ready for initial start-up and operation. Your unit is shipped in the OFF position, however, you may turn it ON/OFF using the cycle selector switch located in the grille (see Figure 26).



UL316B

Figure 26

1. Plug the appliance cord into a 115V polarized and grounded electrical outlet.
2. Open the water supply valve in the main water source.
3. Put the cycle selector switch in the ICE/ON position. The water fill valve will energize and fill the water reservoir. The water fill valve shuts off after 180 seconds. The compressor begins to operate and water flows over the evaporator assembly (ice cube tray).
4. Upon initial start-up, water flow over the evaporator may be uneven. This may cause uneven sized cubes or water spilling into the ice storage bin. This is a normal situation and will correct itself within the first twenty-four hours of operation. After the initial start-up period, the water will cascade evenly over the evaporator.

IMPORTANT

It is possible that dirt or scale will dislodge in the water line. Always throw away all ice cubes made during the first two to three hours of operation.

NORMAL OPERATION

The ice maker is designed to make clear ice from most water sources on a consistent basis. Water is constantly circulated over the evaporator assembly. As the water freezes, gravity causes any sediment to drop into the water trough and not become imbedded in the ice. This gives a clearer ice cube with a low mineral content.

When the ice reaches the desired thickness, it falls off the evaporator and into the storage bin. The cycle is then repeated. When the level of ice reaches the top of the storage bin the unit shuts off. As the ice level in the bin drops the unit will automatically restart to keep the bin full.

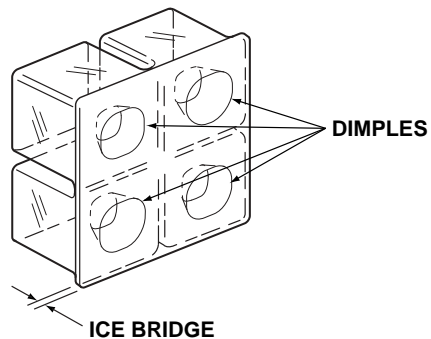
Your unit's ice production rate may vary depending on many considerations. Ambient air temperatures, water temperatures, condenser cleanliness and ice-maker cleanliness are all contributing factors to how quickly the unit produces ice.

Certain sounds are normal during the unit's operation. You may hear the compressor or fan motor, the water valve, the water circulation pump or ice dropping into the ice storage bin.

ICE CUBE THICKNESS

Your U-Line Clear Ice Maker uses advanced technology to make ice that is crystal clear. This technology cascades a flow of water over a chilled ice mold that is mounted vertically so no water sits in it. Because of this ice making technology, clear ice cubes differ significantly from regular ice cubes. Differences are as follows:

- **Dimples.** U-Line clear ice cubes have "dimples" on one side from the cascading water process.
- **Cube Variations.** Cubes made from different batches, or even cubes within the same batch may have varying dimples, thicknesses and/or sizes due to the cascading water process.
- **Cube "slabbing".** The U-Line clear ice maker makes a "slab" of ice that falls from the vertical mold relying on gravity to break the ice bridges. Depending on the control setting, and the fullness of the ice bucket, it maybe necessary to tap the ice slab with the ice scoop to break it apart.



ICE001

Figure 27 – Ice Bridge and Dimples

The ice cube thickness control is factory set for best overall performance. The factory setting is designed to maintain an ice bridge of approximately 1/16" to 1/8" under normal conditions resulting in a dimple of approximately 1/4" to 1/2" in depth (see Figure 28). A fuller cube with less of a dimple results in a thicker ice bridge. As the ice bridge becomes thicker, the tendency for the cubes to stay together as a slab increases. A bridge thicker than 1/8" may cause cubes to overfill the ice bucket.

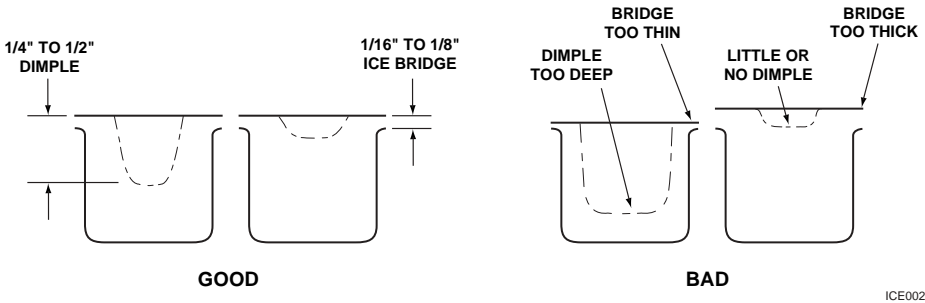


Figure 28 - Cube Types

To adjust:



WARNING

Disconnect power to the ice maker before making any ice thickness adjustments.

1. Disconnect power to the unit.

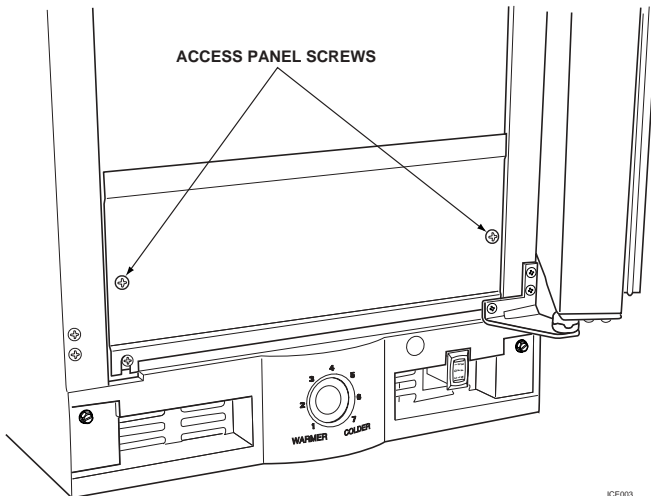


Figure 29

User's Manual

2. Remove the screws securing the front access panel (see Figure 29).

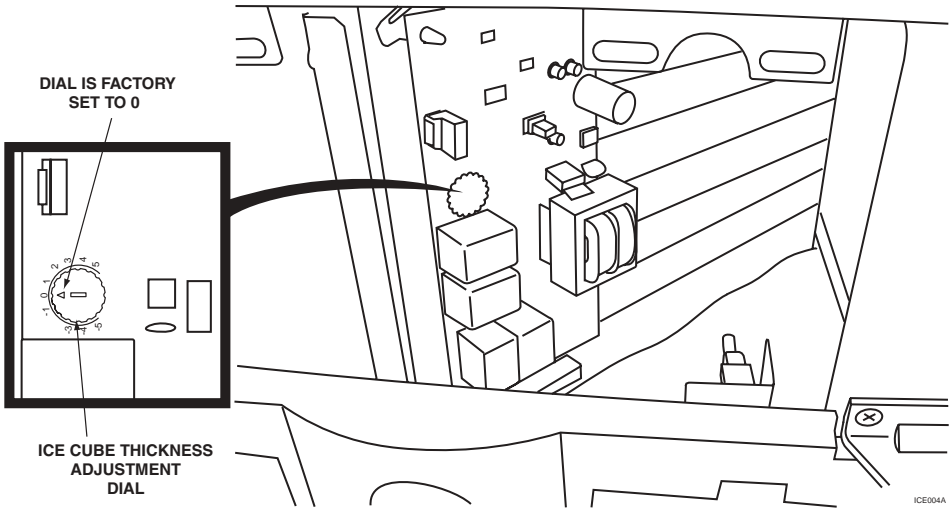


Figure 30 – Ice Thickness Adjustment Dial

3. Locate the ice cube thickness adjustment dial on the control board (see Figure 30). Turn the dial clockwise (+ number) to thicken or counterclockwise (- number) to thin the ice bridge.

IMPORTANT

Ice thickness adjustment dial can be adjusted $\frac{1}{4}$ to $\frac{1}{2}$ of a turn on the number dial. Allow the ice maker to stabilize for 24 hours before making further adjustments. Since ice cubes in any given batch will vary, choose cubes from the sample area for comparison when making adjustments (see Figure 31). The factory setting is 0.

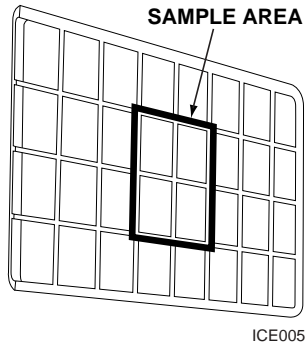


Figure 31 – Ice Cube Mold

4. Reinstall front access cover.
5. Reconnect power to ice maker.

OUTDOOR USE

Some CLR2060 models are designed to operate outdoors. Special considerations include the following:

- For best performance, keep the unit out of direct sunlight.
- Turn the unit OFF and dispose of any ice cubes if the unit will not be used for 5 days or more. Prop door open to allow for air circulation and prevent mold and mildew.
- If the ambient temperature is expected to drop below 45°F, drain all water from the unit to prevent freezing damage not covered by the warranty.
- High ambient temperatures (110°F or higher) may reduce the unit's ice production rate.

MAINTENANCE

Periodic cleaning and proper maintenance will ensure efficiency, top performance, and long life. The maintenance intervals listed are based on normal conditions. You may want to shorten the intervals if you have pets, the unit is used outdoors, or other special considerations.

EXTERIOR CLEANING — AS REQUIRED

The door, grille and cabinet may be cleaned with a mild detergent and warm water solution. Do not use solvent based or abrasive cleaners. Use a soft sponge and rinse with clean water. Wipe with a soft, clean towel to prevent water spotting.

Stainless Steel Models

- Stainless steel models may discolor when exposed to chlorine gas, pool chemicals, salt water or cleaners with bleach.
- Keep your stainless unit looking new by cleaning with a high quality, all-in-one stainless steel cleaner/polish on a monthly basis. For best results use Claire Stainless Steel Polish and Cleaner, which can be purchased from U-Line Corporation. (Part number 173348/\$7.99 plus shipping and handling.) Frequent cleaning will remove surface contamination that could lead to rust. Some installations will require cleaning on a weekly basis.
- **DO NOT CLEAN WITH STEEL WOOL PADS.**
- **DO NOT USE CLEANERS THAT ARE NOT SPECIFICALLY INTENDED FOR STAINLESS STEEL (this includes glass, tile and counter cleansers).**
- If any surface discolors or rusting appears, clean it quickly with Bon-Ami or Barkeepers Friend Cleanser and a non-abrasive cloth. Always clean in the direction of the grain. Always finish this process with Claire Stainless Steel Polish and Cleaner to prevent further problems.
- **USE OF ABRASIVE PADS SUCH AS SCOTCHBRITE WILL CAUSE THE GRAINING IN THE STAINLESS TO BECOME BLURRED.**
- Rust that is allowed to linger can penetrate into the surface of the stainless steel and become impossible to remove.

CAUTION

Stainless steel models exposed to chlorine gas and moisture, such as areas with spas or swimming pools, may have some discoloration of the stainless steel. Discoloration from chlorine gas is normal. Follow exterior cleaning instructions.

INTERIOR CLEANING — AS REQUIRED

1. Disconnect power to the ice maker.
2. Open the door and remove any ice from the storage bin.
3. Wipe down the interior and storage bin with a solution of non-abrasive mild soap or detergent and warm water. Rinse with clean water.
4. Sanitize the bin with a solution of 1 tablespoon of bleach in 1 gallon of warm water. Rinse thoroughly with clean water.
5. Check that all drain connections are in place.
6. Reconnect power to the unit.



WARNING

- **DO NOT** use solvent cleaning agents or abrasives on the interior. These cleansers may transmit taste to the ice cubes, or damage or discolor the interior.
- **DO NOT** use any cleaner inside the ice maker compartment other than U-Line Ice Machine Cleaner. Other cleaners may affect ice quality or damage the unit not covered under warranty. See **AUTOMATIC CLEAN CYCLE** for more information.

User's Manual

CONDENSER CLEANING — EVERY 3 MONTHS

To maintain operational efficiency, clean the condenser every three months (depending on environmental conditions, more or less frequent cleaning may be necessary).

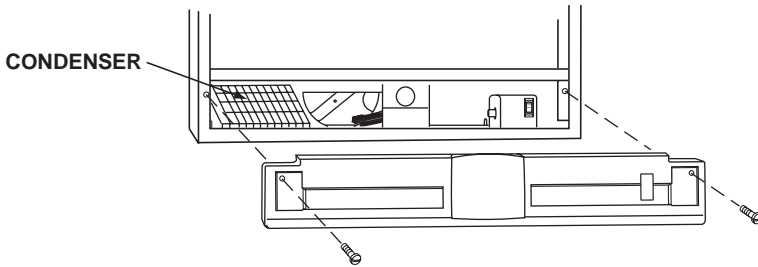


WARNING



Disconnect electric power to the ice maker before cleaning the condenser.

To remove and replace the grille for access to the condenser fins follow this procedure:



UL317A

Figure 32

1. Remove the screws at each end of the grille (see Figure 32).
2. Remove the grille.



WARNING

DO NOT touch the condenser fins. The condenser fins are **SHARP** and can be easily damaged.

CAUTION

DO NOT use any type of cleaner on the condenser unit.

3. Clean the condenser coil using a brush or vacuum cleaner. Do not touch.
4. Position the grille to align the screw holes with the cabinet.
5. Insert the grille screws and tighten being very careful not to overtighten.

SELF CLEANING CYCLE — EVERY 6 MONTHS

To maintain operational efficiency, clean the unit every six months (depending on water conditions more or less frequent cleaning may be necessary). If the ice maker requires more frequent cleaning, consult a qualified plumber to test the water quality and recommend appropriate treatment.



WARNING

Wear rubber gloves and safety goggles and/or face shield when handling Ice Machine Cleaner.

CAUTION

Use only U-Line Ice Machine Cleaner (part number 41978). It is a violation of Federal law to use this solution in a manner inconsistent with its labeling. Use of any other cleaner can ruin the finish of the evaporator and will void the warranty. Read and understand all labels printed on the package before use.

U-Line ice machine cleaner is used to remove lime scale and other mineral deposits. Refer to the following steps to initiate the self-cleaning cycle.

CAUTION

Never use anything to force ice from the evaporator. Damage may result.

User's Manual

1. Set the cycle selector switch to OFF and allow the ice to melt off of the evaporator.
2. Remove all ice from the storage bin.
3. Remove inside front cover (see Figure 33).
4. Remove the overflow tube by lifting it up while using a slight back and forth motion to loosen it from the drain hole (see Figure 34). The water in the reservoir will flow down the drain.
5. Replace the overflow tube after all of the water has drained from the reservoir.
6. Move the cycle selector switch to the CLN position.
7. When water begins to flow over the evaporator (approximately 3 minutes), add one package of U-Line Ice Machine cleaner to the water reservoir.
8. Reinstall inside front cover.
9. When the self-cleaning process stops (approximately 45 minutes) it may be desirable to clean the storage bin at this time (see **INTERIOR CLEANING**).
10. Move the cycle selector switch to the ICE/ON position to resume ice production.

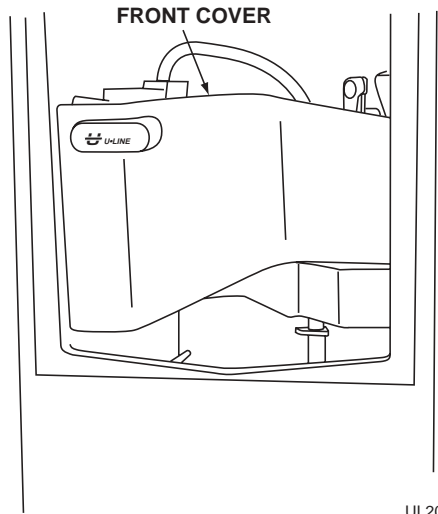


Figure 33

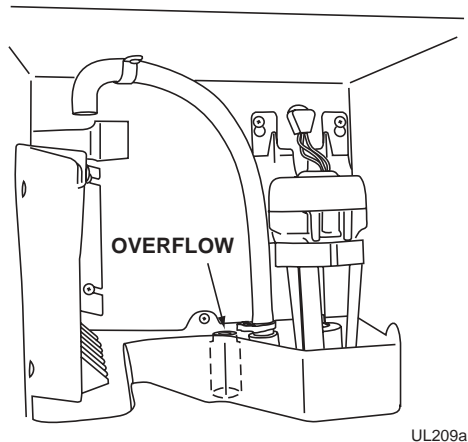
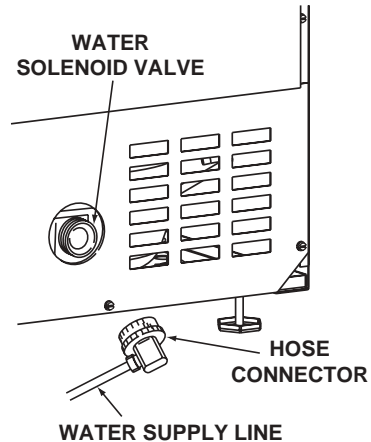


Figure 34

INLET SCREEN CLEANING — EVERY YEAR

The solenoid valve inlet screen must be cleaned at least once each year as follows:

1. Shut off the water at the water supply valve.
2. Pull the unit out to access the back panel.
3. Disconnect electrical power to the unit.
4. Disconnect the hose connector from the water solenoid valve (Figure 35).
5. Use a tooth brush to clean sediment from the inlet screen. **DO NOT** remove the screen.
6. Re-connect the water supply line to the water solenoid valve. Tighten connector securely. Open the water supply valve and check for leakage at the water connection. Make sure the water supply line is not kinked.
7. Reconnect power to the unit before re-installing.
8. Make sure the drain system is working properly and the drain hose is not pinched or kinked. Pour one gallon of cool, fresh water into the ice bin. The water should drain freely. If your CLRC02075 is equipped with a drain pump, the pump should drain the ice bin.



CLRC0013

Figure 35

STORAGE, VACATION AND MOVING

If the unit is to be stored, moved or not used for extended periods, it will be necessary to drain the system of water.



WARNING



Electrical Shock Hazard. Disconnect power before servicing. Before operating replace all panels. Failure to do so can result in death or electrical shock.

1. Disconnect power from the unit.
2. Remove ice from the storage bin.
3. Shut off water supply at the main water source.
4. Disconnect the inlet and outlet lines to the water valve and allow them to drain.

NOTE

Back panel must be removed prior to disconnecting the water lines.



WARNING

If the ambient temperature is expected to drop below 45°F, drain all water from the unit to prevent freezing damage not covered by the warranty.

NOTE

The use of anti-freeze or other products of this nature is not necessary and is not recommended.

5. Reconnect inlet and outlet lines to the water valve.
6. Replace back panel.
7. Drain water from the water trough and drain line by removing the overflow tube (see Figure 34).

-
-
8. Clean the ice maker and storage bin before next use.
 9. Prop door open to allow for air circulation and prevent mold and mildew.

IMPORTANT

It is possible that dirt or scale will dislodge in the water line. Always throw away all ice cubes made during the first 24 hours of operation when the unit is returned to service.

TROUBLESHOOTING

BEFORE CALLING FOR SERVICE

If the unit appears to be malfunctioning, read through **NORMAL OPERATION** first. If the problem persists, check the **TROUBLESHOOTING GUIDE**. Locate the problem in the guide and refer to the cause and its remedy before calling for service. The problem could be something very simple which can be solved without a service call.

TROUBLESHOOTING GUIDE



DANGER



ELECTROCUTION HAZARD

NEVER attempt to repair or perform maintenance on the unit until the main electrical power has been disconnected.

Troubleshooting — What to check when problems occur

Problem	Possible Cause	Remedy
The unit does not operate.	No electrical power to the unit.	Make sure power cord is plugged in. Check for blown fuse or tripped circuit breaker.
	Cycle selector switch set improperly.	Make sure cycle selector switch is set to ICE/ON.
	Low air temperature around unit.	Surrounding air temperature must be at least 45°F (7°C).
Unit runs but no ice is produced.	No water being supplied to the unit.	Check to see that water is connected and turned on to the unit.
Unit runs but produces very little ice.	Dirty condenser coils.	Clean the condenser. See MAINTENANCE .
	High air temperature around unit.	Surrounding air temperature of over 90°F (32°C). Low ice production at high temperatures is normal.

Problem	Possible Cause	Remedy
Unit runs but produces very little ice. (continued)	Scale and mineral buildup in unit.	Clean unit. See MAINTENANCE.
	Inadequate airflow at the front of the unit.	Remove items blocking airflow.
Ice is slow to release or does not release from the evaporator.	Ice-making system is dirty.	Run unit through automatic clean cycle. See MAINTENANCE.
	Unit is not level.	See LEVELING THE UNIT.
	Low air temperature around unit.	Surrounding air temperature must be at least 50°F (10°C).
Poor ice quality. (soft or unclear)	Poor incoming water quality.	Consult a qualified plumber to test the water quality and recommend appropriate treatment.
	Ice-making system is dirty.	Run unit through automatic clean cycle. See MAINTENANCE.
Unit produces shallow or incomplete cubes, or the ice fill pattern on the evaporator is incomplete.	Low water level.	Check to see that overflow tube is fully seated.
	Hot incoming water.	Connect the unit to a cold water supply. See INSTALLATION.
	Incorrect incoming water pressure.	Water pressure must be 20-120 psi.
	Unit is not level.	See LEVELING THE UNIT.

User's Manual

Problem	Possible Cause	Remedy
Water leaking from under the unit.	Supply line leaking.	Check to see that water inlet line is attached to inlet valve properly. See CONNECTING THE WATER SUPPLY .
	Fill tube leaking.	Check connection at water valve outlet.
	Bin drain leaking.	Check integrity of bin drain hose and clamp.
Ice storage bin full of water.	Obstructed drain.	Check to see that storage bin drain opening is free from obstruction and debris.

IF SERVICE IS REQUIRED

If the need for service arises, contact the dealer from whom the unit was purchased. State the Model Number and Serial Number and explain the problem. The Model and Serial Number plate is located inside unit at upper right hand corner.

If you do not know the name of the selling dealer or local service company, you can check online at www.U-LineService.com for a list of service companies.

REPLACEMENT PARTS

Use only genuine U-Line replacement parts. Genuine U-Line parts are designed to work correctly with U-Line products and offer superior service life. The use of non-U-Line parts can damage the unit and may void the warranty.



P. O. Box 245040

Milwaukee, WI 53224-9540

Phone: 414.354.0300

Fax: 414.354.7905

www.u-line.com