



RECORD THIS INFORMATION FOR FUTURE REFERENCE
BEFORE INSTALLING THE UNIT:

Model Number _____
Serial Number _____
Date Purchased _____
Place of Purchase _____

9092100-ESM FLUSH MOUNT 9092200-ESM EXTERNAL MOUNT CENTRAL MARINE VACUUM

USA
SERVICE OFFICE
Dometic Corp.
509 So. Poplar St.
LaGrange, IN 46761
260-463-4858

CANADA
Dometic Dist.
866 Langs Dr.
Cambridge, Ontario
CANADA N3H 2N7
519-653-4390

For Service Center
Assistance Call:
800-544-4881

WARNING

This manual must be read and understood before installation, adjustment, service, or maintenance is performed. This unit must be installed by a qualified service technician. Modification of this product can be extremely hazardous and could result in personal injury or property damage.

AVERTISSEMENT

Lire et comprendre ce manuel avant de procéder à l'installation, à des réglages, de l'entretien ou des réparations. L'installation de cet appareil doit être effectuée par un réparateur qualifié. Toute modification de cet appareil peut être extrêmement dangereuse et entraîner des blessures ou dommages matériels.

INSTALLATION & OPERATING INSTRUCTIONS

MODEL
9092100-ESM
9092200-ESM

SAFETY INSTRUCTIONS

This manual has safety information and instructions to help users eliminate or reduce the risk of accidents and injuries.

RECOGNIZE SAFETY INFORMATION



This is the safety-alert symbol. When you see this symbol in this manual, be alert to the potential for personal injury.

Follow recommended precautions and safe operating instructions.

UNDERSTAND SIGNAL WORDS

A signal word, **WARNING** OR **CAUTION** is used with the safety-alert symbol. They give the level of risk for potential injury.

WARNING: means if the safety information is not followed someone could be injured or killed and/or damage to equipment could occur.

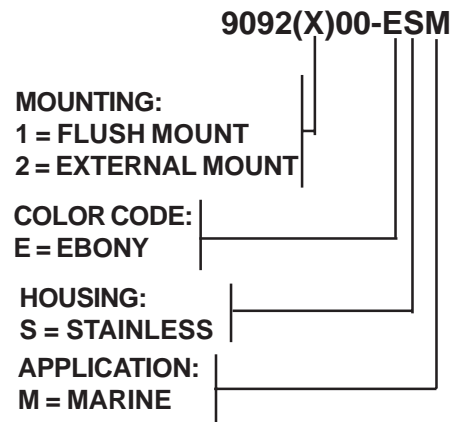
CAUTION: means if the safety information is not followed someone might be injured and/or damage to equipment might occur.

Read and follow all safety information and instructions.

SPECIFICATIONS:

Electrical Rating	115VAC 50/60 Hz, 1 Ph
Amp Draw	11 Amps
Minimum Wire Size	16 AWG
AC Circuit Protection	15 Amp
Installed Weight	12 lbs.
Hose Length	8' - 30'
Housing Material	Stainless Steel

MODEL NUMBER CODE CHART



Part List:

- | | |
|-----------------------|--------------------------------|
| 9092(X)00-ESM Vacuum | (1) Bag of Vacuum Tools |
| (4) Wood Screws | (3) 3308150.006 Bags |
| (1) Template** | (1) 3308172.000 Motor Filter |
| (4) Painted Screws** | (1) 3303170.004 Exhaust Filter |
| (1) Mounting Bracket* | (3) Wire Nuts** |

Tools Required:

- | | |
|-----------------|-----------------|
| Screw Driver | Power Drill |
| Level | Electrical Wire |
| 1/16" Drill Bit | Drywall Anchors |
| Awl | |

* Designates supplied with external mount vacuum.

** Designates supplied with flush mount vacuum.

INSTALLATION

A. GENERAL INFORMATION

Model 9092(X)00(X)M Central Marine Vacuum Cleaner is designed to be recess mounted into a wall at the time of manufacture; or, with the use of an external mounting plate, it can be surface mounted in a vessel after it has been manufactured.

⚠ WARNING
 Improper installation may damage equipment, could endanger life, cause serious injury and/or property damage.

⚠ WARNING
 Marine applications require the unit to be installed only in a well ventilated area. Arcing of motor brushes can ignite heavier than air explosive vapors.

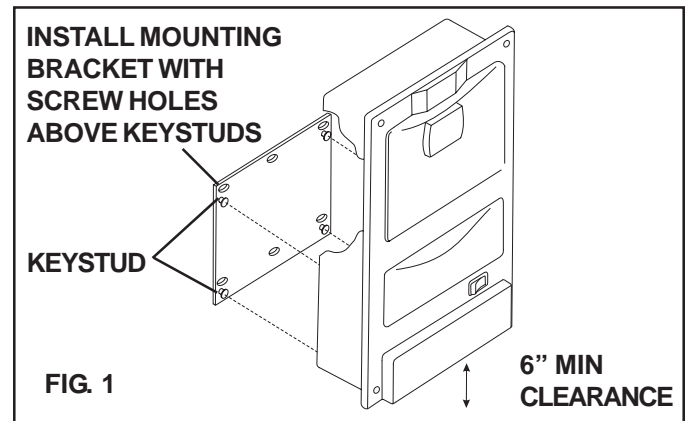
Read Installation and Operating Instructions carefully before attempting to start your vacuum cleaner installation.

B. LOCATION:

1. External Mount Installation

- a. To reach with vacuum hose as far as possible, choose a wall or surface that is centrally located and has an electrical outlet within reach of the 6 foot vacuum cleaner electrical cord.

- b. Attach stainless steel mounting bracket to wall or surface at a comfortable operating height or if not possible a minimum of 6" above the floor. For hard surface mounting, use the 4 outer holes with wood screws. For drywall mounting, use 4 outer holes with drywall anchors (not supplied). See FIG. 1.



- c. Attach vacuum cleaner to the mounting bracket, by the 4 keyholes in the back of the unit to the 4 studs on the mounting bracket, then slide unit down into locked position.
- d. Before plugging in the electrical cord, **check to be sure vacuum cleaner bag, motor filter, exhaust filter, and gate are in place.** See Operating Instructions, Steps D, E, and F.
Note: Never use vacuum cleaner without dust bag or motor filter in place.

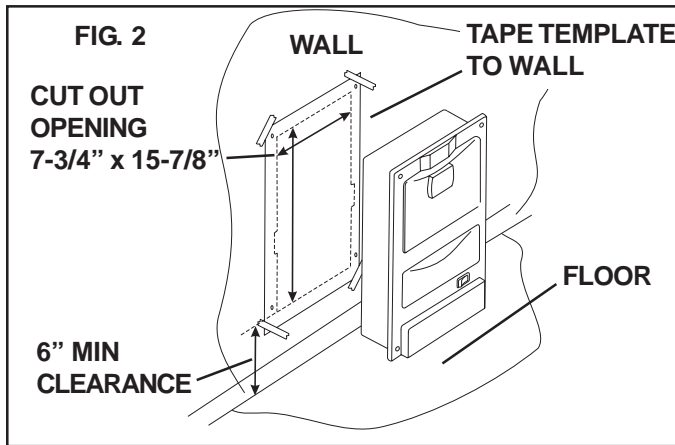
2. Flush Mount installation

- a. To reach with vacuum hose as far as possible, choose a wall or surface that is centrally located and has a nearby 110 Volt AC power connection (with in reach of 6 foot power cord if so equipped). The vacuum cleaner requires 3-7/8" wall depth (measured from the front of the wall).

⚠ WARNING

There may be electrical wiring in the wall. Disconnect 115 volt AC power cord and the positive (+) 12 volt DC terminal at the supply battery. Failure to follow this instruction may create a shock hazard causing death or severe personal injury.

- b. Attach paper template with tape to wall or surface a minimum of 6" above the floor, if mounted in a vertical position. This will allow sufficient clearance for exhaust air. See FIG. 2.



- c. Tape the template to the mounting surface of the desired location. The bottom of the cut out must be the minimum of 6" above the floor.
- d. Center punch all of the circles with an awl or nail. Remove the template. Draw a line connecting the circles using a pencil and straight edge. This will outline an area 7-3/4" x 15-7/8" that is to be cut out.
- e. Drill the 4 corner marks with a 1/16" drill bit, then saw out the opening. Be sure to follow the line as the mounting holes are close to the edge of the cut out.

Note: Instructions also printed on paper template.

- f. Place the vacuum cleaner upside down with its back towards you. Remove the 2-3/4" x 1-3/8" cover plate on the vacuum cleaner. Install 16 AWG cable (rated at 90° C) to the unit. Use nonmetallic sheathed cable with ground (Romex) or flexible metal conduit with ground, to electrical outlet. (Check your local electrical code.) Make the connection through the Romex clamp (do not pinch wiring). Replace cover plate.

- e. Test unit for operation before installing. Check to be sure vacuum cleaner bag, motor filter, exhaust filter and gate are in place. See Operating Instructions, Steps D, E, and F. Slide the unit, bottom first into the opening and secure to wall with the 4 wood screws.

Note: Never use vacuum cleaner without dust bag or motor filter in place.

Note: Optimal installation uses 6 wood screws instead of 4 to reduce risk of loosening due to heavy seas.

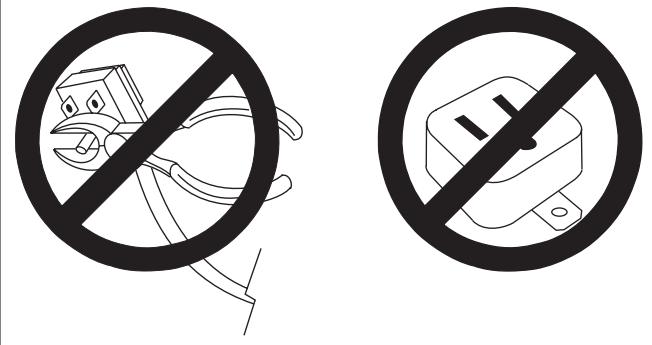
C. GROUNDING INSTRUCTIONS-EXTERNAL MOUNT

- 1. This appliance must be grounded. If it should malfunction or breakdown, grounding provides a path of least resistance for electric current to reduce the risk of electric shock. This appliance is equipped with a cord having an equipment-grounding conductor and grounding plug. The plug must be inserted into an appropriate outlet that is properly installed and grounded in accordance with all local codes and ordinances. See FIG. 3.

⚠ CAUTION

To avoid possible electrical shock, be sure that electricity is turned off at the main switch or circuit breaker.

FIG. 3



D. GROUNDING INSTRUCTIONS-FLUSH MOUNT

- 1. For permanently connected appliances, (in-wall installation) this appliance must be connected to a grounded metal permanent wiring system; or an equipment-grounded conductor must be run with the circuit conductors and connected to the equipment grounding terminal or lead on the appliance.

Note: All wiring must comply with the National Electrical Code ANSI/NFPA 70-(latest edition); or CSA Standard C22.1, Canadian Electric Code, Parts 1 and 2; and any applicable local codes.

OPERATING INSTRUCTIONS

A. IMPORTANT SAFETY INSTRUCTIONS

When using an electrical vacuum cleaner, basic precautions should always be followed including the following:

1. Read all instructions carefully before using this vacuum cleaner.
2. Save these instructions.

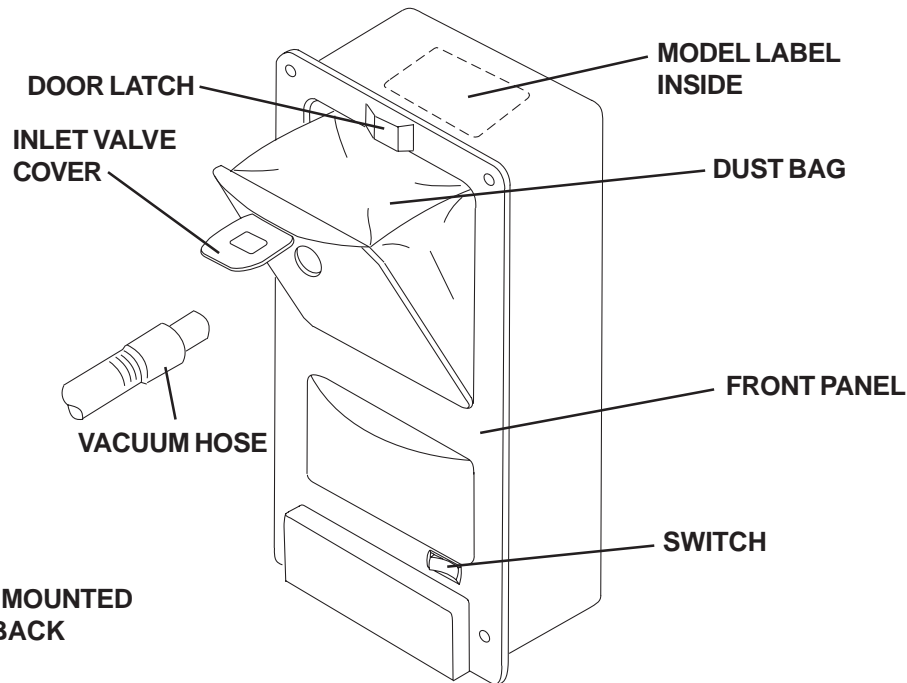
WARNING

TO REDUCE THE RISK OF FIRE, ELECTRICAL SHOCK, OR INJURY:

1. Do not leave appliance plugged in. Unplug from outlet when not in use and before servicing.
2. Do not use outdoors or on wet surfaces.
3. Never operate this vacuum cleaner without a dust bag and filters in place.
4. Close attention is necessary when used by or near children. Do not allow unit to be used as a toy.
5. Use only for intended use as described in this manual . Use only the manufacturer's recommended attachments and dust bags.
6. Do not use with damaged cord or plug. If appliance is not working as it should, has been dropped, damaged, left outdoors, or dropped into water, return the vacuum cleaner to Dometic or an authorized service dealer for examination and repair.
7. Do not put any object into openings. Do not use with any openings blocked; keep free of dust, lint, hair and any other material that may reduce air flow. When the secondary filter becomes dirty, rinse in warm water or replace with a new filter. Filters shall be completely dry before using.
8. Never drop or insert any object into any opening.
9. Turn off all controls before unplugging.
10. Do not pull or carry by the power cord, do not use power cord as a handle, do not close a door on the power cord, or pull power cord around sharp edges or corners. Do not run appliance over power cord. Keep power cord away from heated surfaces.
11. Do not unplug by pulling on power cord. To unplug, grasp the plug not the power cord.
12. Keep hair, loose clothing, fingers, and all parts of body away from any opening and moving parts.
13. Do not pick up anything that is burning or smoking, such as cigarettes, matches or hot ashes.
14. Use extra caution when cleaning on stairs.
15. Do not handle plug or appliance with wet hands.
16. Do not pick up flammable or combustible liquids such as gasoline, or use in areas where they may be present.
17. Do not place objects against the vacuum cleaner. Keep area clear.
18. Do not step on the hose or pull the hose forcibly.
19. Do not pick up large objects such as waste paper or cloth, which may clog the hose.
20. Do not install this vacuum cleaner in an area exposed to high temperatures.
21. Install this vacuum cleaner in a dry place.
22. Do not attempt to service the vacuum cleaner. Unit is sealed and cannot be opened without damage to the unit. For service, call your local authorized service dealer, or Dometic.

OPERATING INSTRUCTIONS

FIG. 4



- b. A few minutes of operating of the vacuum cleaner will result in the discharge of warm exhaust air. This is normal operation; however, a full dust bag or a dirty motor filter can cause the motor to stop. If this occurs see step H. Troubleshooting, points a - e.

⚠ CAUTION

Do not pick up lit cigarettes, hot ashes, razor blades, needles, pins or other sharp objects with the vacuum cleaner.

C. CONNECTING AND DISCONNECTING HOSE

1. Lift up the inlet valve cover on the front door panel.
2. Insert hose with a slight twist motion.
3. Removal of hose is done with a twist motion in either direction, while pulling outward. See FIG. 4.

D. STARTING AND STOPPING VACUUM CLEANER

1. Start the vacuum by pushing the switch to the "ON" position. See FIG. 4.
2. Stop the vacuum cleaner by pushing the switch to the "OFF" position. See FIG. 4.

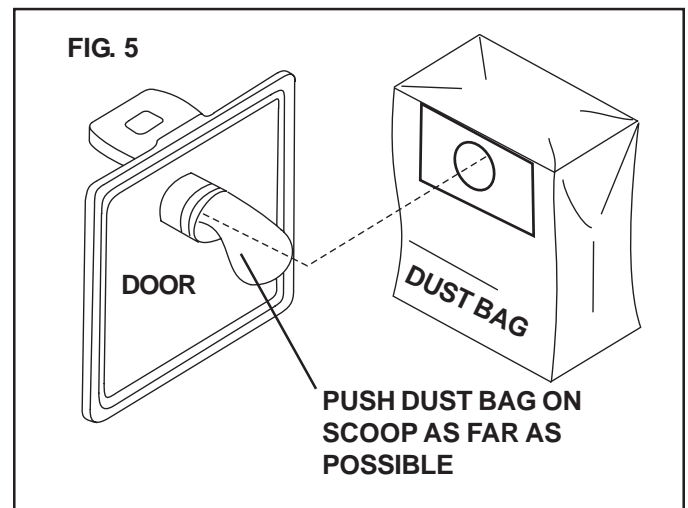
E. CHANGING DUST BAG

1. Remove the vacuum cleaner door by pushing the latch up. See FIG. 4.
2. Push the new bag onto the door's scoop shaped pipe as far as possible. See FIG. 5.
3. Slide bottom of bag into vacuum cleaner cavity, then place bottom of door in the front panel slots.
4. Tuck in the left and right corners of the bag so the door can close. Close the door, when the latch **CLICKS** in place the door is sealed and the vacuum cleaner is ready for use. See FIG. 4.
5. When removing a full bag reverse the installation procedure.

Note: Accidental spilling of the contents of the dust bag can be prevented by leaving it attached to the door. Carry both door and dirt bag to the trash, where the dirt bag can be removed.

Note: Part number for the dust bag is 3308150.006, a package of 3 dust bag is 3308169.006 and the 10 count package is 3308165.004 {a package of 10 dust bags contains (2) 3308172.000 motor filters and (1) 3308170.004 exhaust filter}. Every fifth change of bag replace motor filter, or when the white part of filter is very dirty. Filter can be hand washed. Contact your nearest Dometic Dealer for replacements.

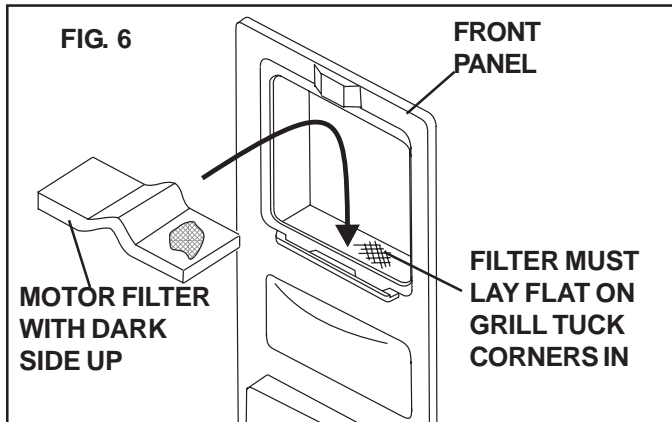
FIG. 5



F. CHANGING MOTOR FILTER

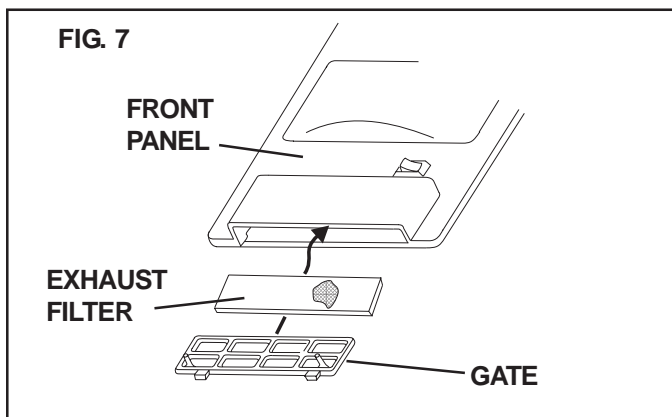
1. Remove completely the door with the dust bag.
2. Remove the motor filter from the bottom of the vacuum cleaner cavity. See FIG. 6.
3. Install the new motor filter with **dark side up**. Tuck in the corners so that the filter lays flat on the grid in the cavity.

Note: Clean the dirty motor filter by washing in mild soap by hand. **Do not machine wash.** Let filter air dry before replacing. See note in Step D Changing Dust Bag.



G. CHANGING EXHAUST FILTER

1. The exhaust filter is located in the opening at the bottom of the vacuum cleaner front panel.
2. Push the plastic pins on the gate upward, then pull the gate frame forward and down. See FIG. 7.
3. Turn the switch to **“ON”** to start the vacuum cleaner. The exhaust of the vacuum cleaner should blow the exhaust filter out the opening. Turn the vacuum cleaner **“OFF”**. See FIG. 4.



H. TROUBLESHOOTING

1. If your motor stops check the following:
 - a. Vacuuming large amounts of dust other than household dirt, (drywall dust, fine wood dust, etc.) can block the pores of the dust bag rapidly even if the dust bag is new.
 - b. The vacuum tool could be clogged.
 - c. The vacuum hose could be clogged.
 - d. The exhaust filter should be checked and cleaned or replaced.
 - e. The motor filter is dirty and should be cleaned or replaced.

⚠ WARNING

All Dometic built-in vacuum systems are equipped with a thermal overload protector at the motor to prevent overheating. If the motor stops, indicating overheating, push the switch to the “OFF” position and check the above Troubleshooting 5 points. The motor will reset itself after about 1-1/2 hours. If the problem should re-occur more than 3 times, please call the factory or selling dealer.

LIMITED WARRANTY

For Dometic Central Vacuum Systems

THE SELLER NAMED BELOW MAKES THE FOLLOWING WARRANTY WITH RESPECT TO THIS DOMETIC CENTRAL VACUUM SYSTEM

1. This Warranty is made only to the first Purchaser (hereinafter called the "Original Purchaser") who acquires this product for his own use.
2. This Warranty will be in effect for three years on parts and freight and two years on labor from the date of purchase by the Original Purchaser. It is suggested that the Original Purchaser retain a copy of the dated bill of sale as evidence of the date of purchase.
3. This Warranty covers only specified parts which shall be free from defects in material and workmanship under normal use. This Warranty does not cover conditions unrelated to the material and workmanship of the product. Such unrelated conditions include, but are not limited to (a) faulty installation and any damage resulting from such; (b) the need for normal maintenance and any damage resulting from the failure to provide such maintenance; (c) failure to follow Seller's instructions for use of product, and (d) any accident to, or misuse of any part of this product and any alteration by anyone other than Seller or the authorized representative.
4. In order to obtain the benefits of this Warranty, you should return the product which you find defective to your dealer during the period that this Warranty is in effect. All charges incurred in delivery of the central vacuum system to the Seller must be paid by the Original Purchaser. A copy of the dated bill of sale must accompany the returned product.
5. Any item returned in the manner described in paragraph 4 will be examined by your dealer. If it is found that the central vacuum system is defective in material and workmanship, the Seller will replace the appliance.
6. The Seller does not authorize any person or company to create a warranty obligation or liability on their behalf.
7. IN NO EVENT SHALL SELLER BE LIABLE FOR INCIDENTAL OR CONSEQUENTIAL DAMAGES. SOME STATES DO NOT ALLOW THE EXCLUSION OR LIMITATION OF INCIDENTAL OR CONSEQUENTIAL DAMAGES SO THE ABOVE LIMITATION MAY NOT APPLY TO YOU.
8. ANY IMPLIED WARRANTY, INCLUDING THE IMPLIED WARRANTY OF MERCHANTABILITY AND FITNESS FOR ANY PURPOSE, IS LIMITED TO THE DURATION OF THIS LIMITED WARRANTY. SOME STATES DO NOT ALLOW LIMITATIONS ON HOW LONG AN IMPLIED WARRANTY LASTS, SO THE ABOVE LIMITATION MAY NOT APPLY TO YOU.
9. THIS WARRANTY GIVES YOU SPECIFIC LEGAL RIGHTS, AND YOU MAY ALSO HAVE OTHER RIGHTS WHICH VARY FROM STATE TO STATE.
10. All appliances (except those specifically built for commercial use) are warranted only when installed in vessels built to the current ABYC or other applicable standards.

Seller in USA

Dometic Corporation
Warranty Department
509 South Poplar Street
LaGrange, Indiana 46761
Phone 260-463-2191

Seller in CANADA

Dometic Corporation
Warranty Department
866 Langs Drive
Cambridge, Ontario
Canada N3H 2N7
Phone 519-635-4390