



DATA INQUIRY SHEET

7373-897 & 7473-897

INTERNATIONAL A/C

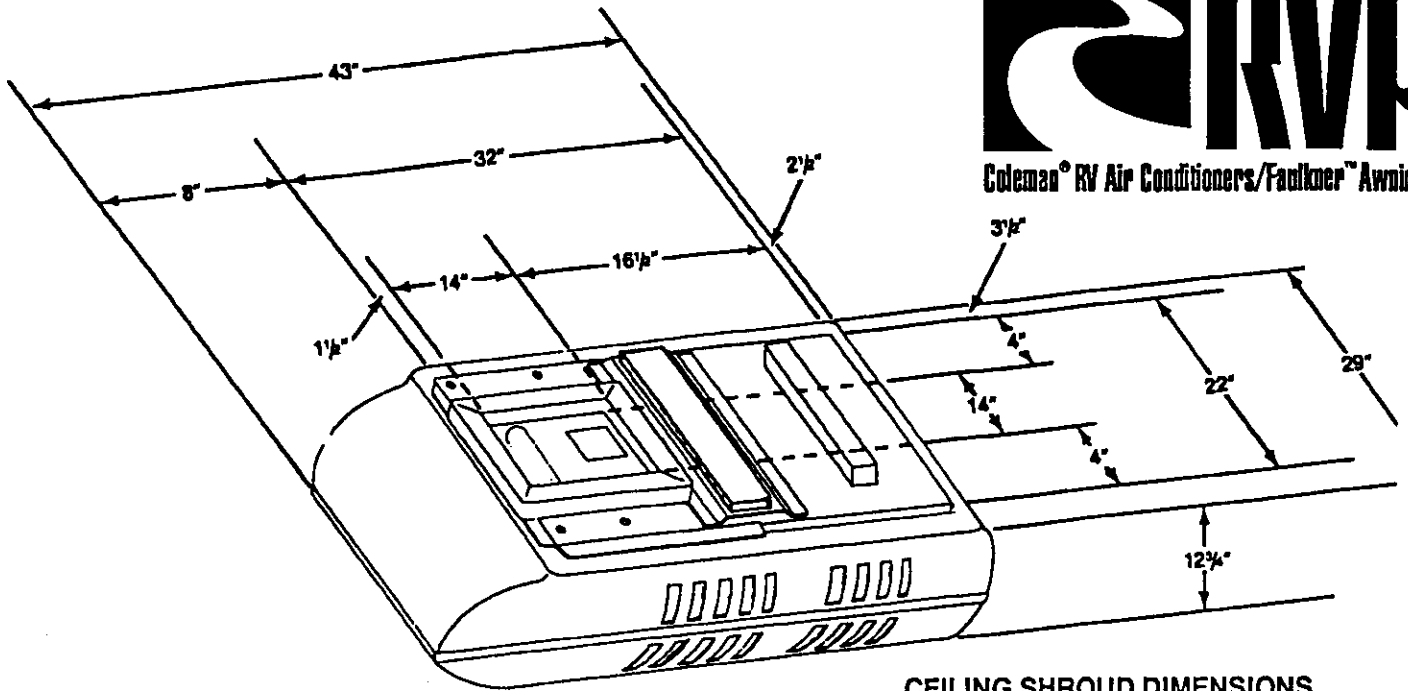
| | | |
|---|----------------------------------|---|
| BTU Capacity (nominal) | Cooling Heating (1) | 13,500 5,600 |
| Electrical Rating | 240VAC, 50 HZ, 1 Phase | |
| Cooling Full Load AMP's at A.R.I. Standard Condition | Compressor Fan Motor Total | 6.2 Low - .8 High - 1.2 7.0 7.4 |
| Feature Equipment Amps | Heating | 7.5 |
| Running Watts: (cooling) A.R.I. Standard Condition (80 F. DB/67 F., WB Indoor, 95 F. DB Outdoor at 103.5 VAC) | 1,450 | |
| Running Watts: (cooling) A.R.I. Maximum Condition (95 F. DB/71 F, WB Indoor, 115 F. DB Outdoor at 103.5 VAC) | 1,820 | |
| Running Watts: (heating) | 1,800 | |
| Compressor Locked Rotor Amps | 32.0 | |
| Compressor Ohm Ratings (approx.) C = Common, S = Start, R = Run | (C-S) 4.8 | (C-R) 2.2 |
| Thermostat Temperature Range | Cooling - 61° (±5°) | Heating (1) - 85° (±5°) |
| Metering Device | Capillary Tube | |
| Refrigerant Charge | 17.25 oz. | |
| Evaporator Air Delivery (CFM) | 300 CFM - High | |
| Generator Size | See 'Generators' Below | |
| Installed Weight (pounds) | 7373 = 97 lbs. | 7473 = 104 lbs. |
| Use time delay fuse or circuit breaker (U.L. H.A.C.R. TYPE C.S.A.) rated at 20 amps. Supply wires 12 AWG Min. (Copper). | | |

- (1) When equipped with Elect-A-Heat feature.
- (2) Using 7370-716 series ceiling assemblies will increase unit weight 11 lbs.

GENERATORS:

It is not the policy of Recreation Vehicle Products, Inc. to size generators for application in Recreation Vehicles or related structures. However, when sizing generators, the total electrical power consumption in Watts must be determined and taken into consideration, such as:

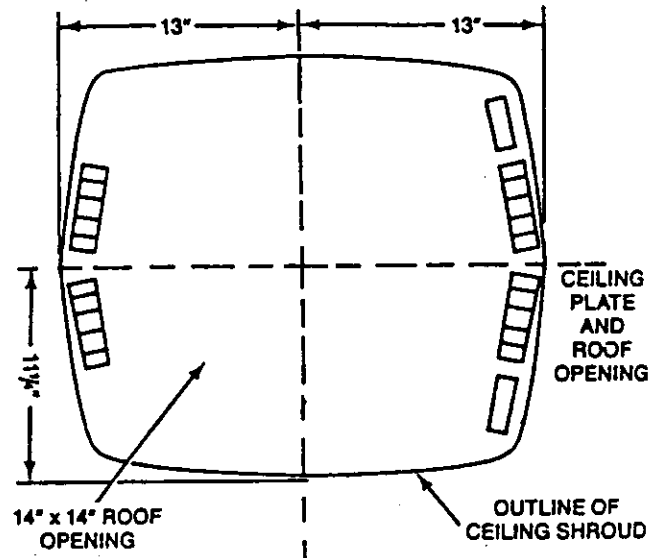
- A. Maximum running watts of the air conditioner at A.R.I. maximum operating conditions (See Specifications).
- B. Power consumption of electronic ovens, toasters, coffeemakers, television sets, refrigerators, lights, etc..
- C. Generators do lose capacity under the following conditions: (1) Altitude increases above sea level, (2) Temperature increases above certain outdoor design temperatures and (3) Lack of maintenance.



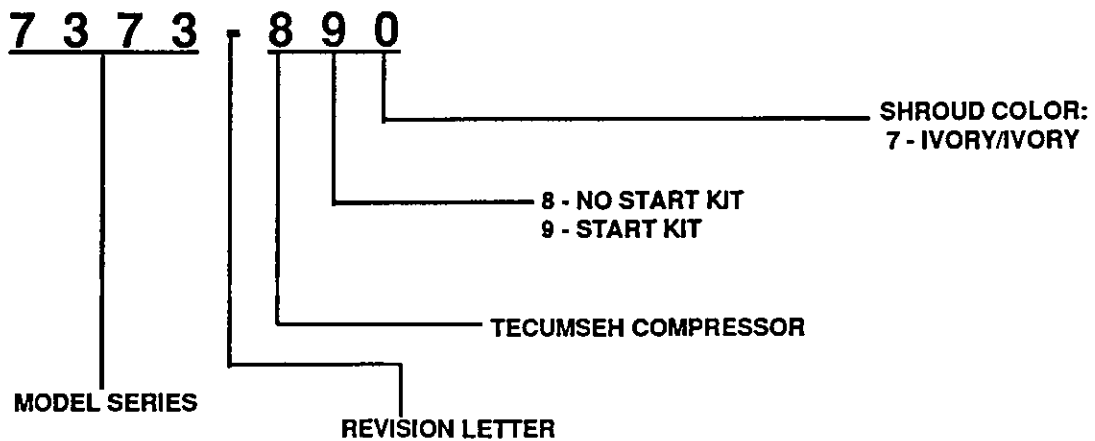
QUICK REFERENCE CHART

| DIMENSIONS | | |
|-----------------|--------|---------|
| EXTERIOR SHROUD | HEIGHT | 12 3/4" |
| | WIDTH | 29" |
| | LENGTH | 43" |
| CEILING SHROUD | DEPTH | 3" |
| | WIDTH | 22 1/2" |
| | LENGTH | 26" |

CEILING SHROUD DIMENSIONS

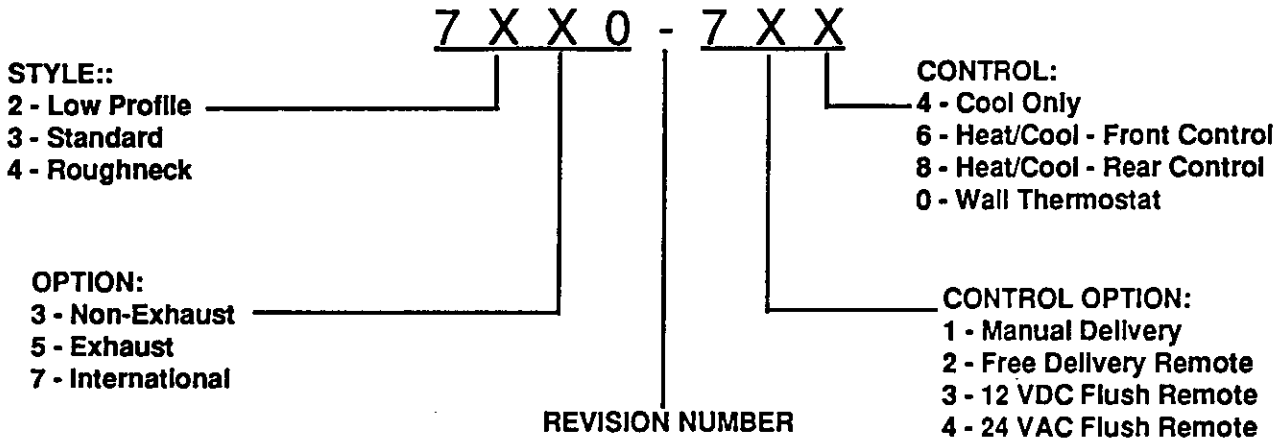


ROOF TOP UNIT MODEL NUMBER BREAKDOWN





CEILING ASSEMBLY NUMBER BREAKDOWN



CEILING ASSEMBLIES AVAILABLE:

- 7370A716** — Heat/Cool ceiling assembly with built-in heater package.
- 7330-720** — Cool only remote ceiling assembly. To be used with optional remote wall thermostat package #6799C6951 or electronic digital thermostat #6795-6651. No heater option available. Uses 12 VDC control circuits.
- 7330-730** — Cool only flush mount ceiling assembly. To be used with optional remote wall thermostat package #6799C6951 or electronic digital thermostat #6795-6651. Assembly is intended to be mounted on OEM designed ducting. Used 12 VDC control circuits.

ACCESSORIES AVAILABLE:

- 7333-6201** — Hard Start Kit
- 6799-6261** — Extra long 9" bolt package
- 6792-4531** — Extra long 15" fabric duct collar

Recreation Vehicle Products, Inc.
 P.O. Box 4020
 Wichita, KS 67204
 1-800-227-5693