



Coleman RV Air Conditioners/Faulkner Awnings

# SUPER-MACH DATA SHEET

## 6798A & 6799A700 SERIES

### 6798- & 6799-800 SERIES

SPECIFICATIONS By Model Number		6798A700 & 6799A700 Series Super - Mach Series			6798-800 & 6799-800 Series TSR Reciprocating		
BTU Capacity (nominal)	Cooling	13,500			13,500		
	Heating	5,600					
Electrical Rating		115V / 60 Hz / 1 Phase					
Cooling Full Load AMP'S At A.R.I. Standard Condition	Compressor	11.4			13.3		
	Fan Motor	Low - 2.7	Med. - 3.0	High - 3.1	Low - 2.7	Med. - 3.0	High - 3.1
	Total	14.1	14.4	14.5	16.0	16.3	16.4
Feature Equipment Amps	Heating Element	12.0 ①					
	Exhaust Motor	.7 ②					
RUNNING WATTS: (cooling) A.R.I. Standard Condition (80°F. DB / 67°F. WB Indoor, 95°F. DB Outdoor at 115 VAC)		1,700			1,825		
RUNNING WATTS: (cooling) A.R.I. Maximum Condition (95°F. DB/ 71°F. WB. Indoor, 115° F. DB Outdoor at 103.5 VAC)		2075			1,960		
RUNNING WATTS: (heating)		1,800					
Compressor Locked Rotor Amps		63.5			75		
Compressor Ohm Ratings (approx.) C = Common, S = Start, R = Run		(C - S) 6.7	(C - R) .7	(S - R) 7.4	(C - S) 7-9	(C - R) 1-3	S - R) 8-10
Thermostat Temperature Range		Cooling - 61° (+ or - 5°) Heating - 85° (+ or - 5°)					
Metering Device		Capillary Tube					
Refrigerant Charge		19.25 oz.			15.25 oz.		
Evaporator Air Delivery (CFM)		330 CFM - High			150CFM - Low		
Generator Size		See "Generators" Below					
Upper Unit Installed Weight (pounds)		100 ③			108 ③		

① When equipped with ELECT-A-HEAT feature.

② Exhaust system equipped on 6798 Series only.

③ Using 6798 or 6799 Series Ceiling Assemblies will increase installed weight 12 to 15 lbs.

### GENERATORS

When sizing generators the total electrical power consumption in watts must be determined ( Note: Generators should be sized with the electrical **STARTING WATTS** considered. The wattage listed above are running watts. **STARTING WATTS** average two (2) times the table listed running watts.

Size the generator for the air conditioner at A.R.I. maximum operating conditions (starting watts).

Example : Maximum condition running watts for the 6799-800 Series air conditioner is 1,960 watts. Multiply 1,960 running watts by 2 gives a requirement of 3,920 starting watts. A typical RV generator rated at 4000 watts Max. 3500 watts Run. should operate the unit.

Other sizing considerations.

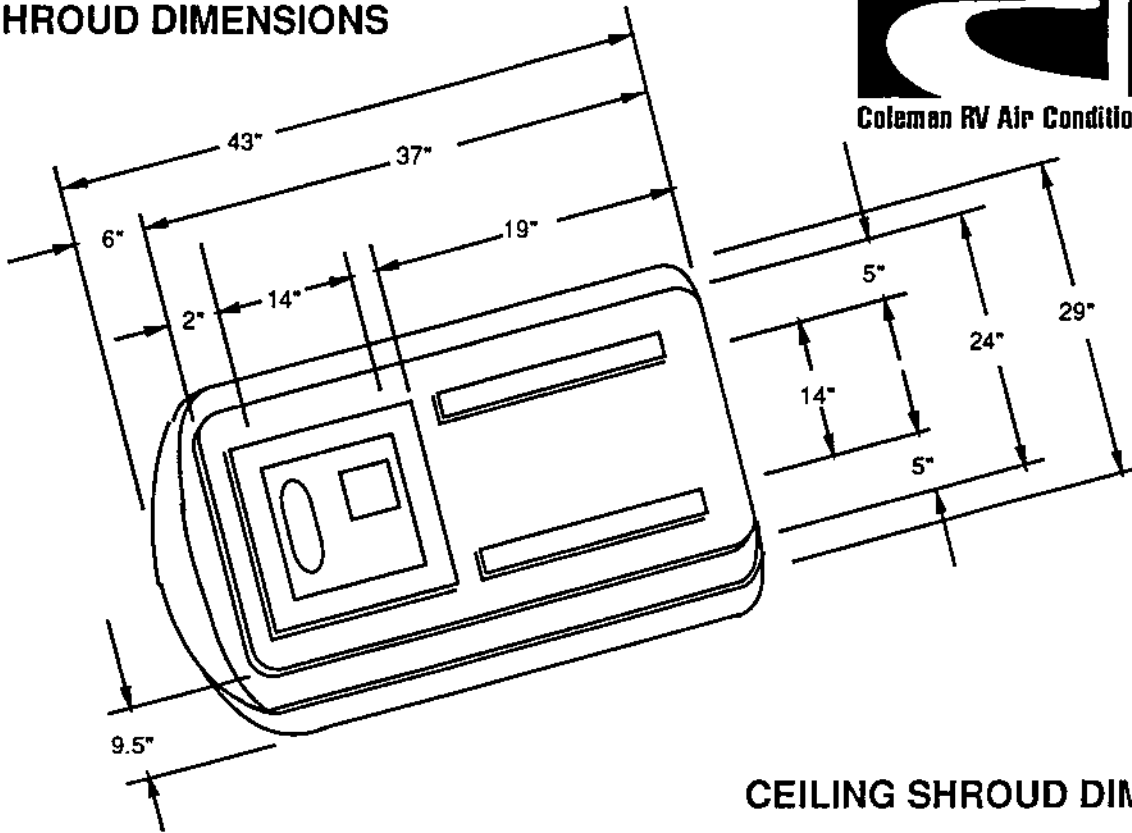
A. A generator sized to the above wattages is only designed for operating the air conditioner, if other appliances will be operated at the same time, their power consumption in watts, must also be included into the total power consumption for sizing a generator.

### IMPORTANT

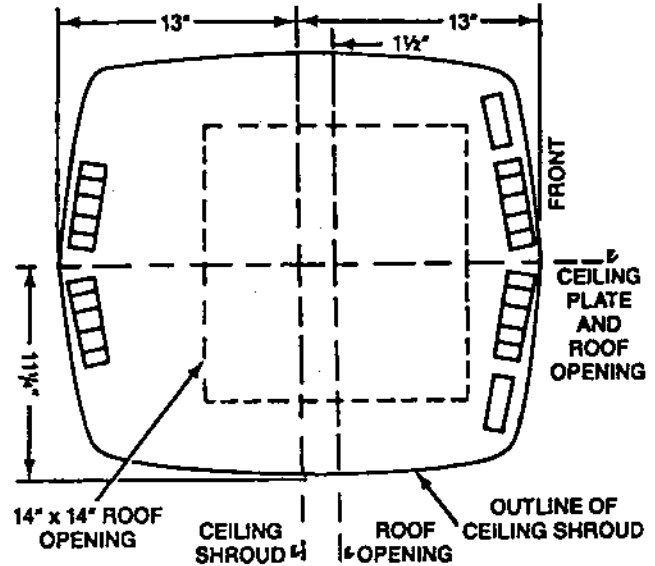
In all applications, the roof structure of the vehicle on which the air conditioner is to be installed, Must be capable of supporting a minimum per unit weight of 140 lbs. in transit.

All air conditioners tested and rated in accordance with A.R.I. Standard 250-74.

# ROOF TOP UNIT & SHROUD DIMENSIONS



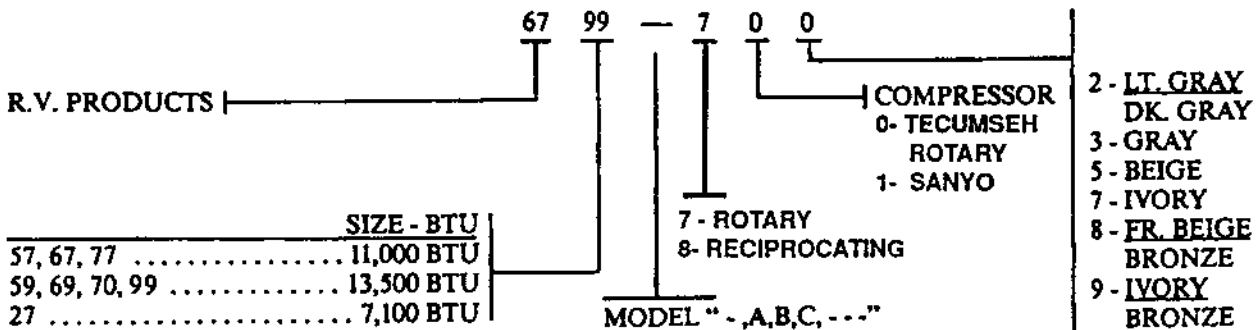
# CEILING SHROUD DIMENSIONS



## QUICK REFERENCE CHART

DIMENSIONS		
EXTERIOR SHROUD	HEIGHT	9 1/2"
	WIDTH	29"
	LENGTH	43"
CEILING SHROUD	DEPTH	3"
	WIDTH	22 1/2"
	LENGTH	26"

## ROOF TOP UNIT MODEL NUMBER BREAKDOWN





Coleman RV Air Conditioners/Faulkner Awnings

## Ceiling Assemblies Available

### For 6798 Series

6798A714 Cool only ceiling assembly, optional heater package 6759A7361 available.

6798A716 Heat / Cool ceiling assembly, built in heater package.

6798-720 Cool only ceiling assembly. For applications where the return air is not ducted and a wall mounted thermostat is desired for operating the air conditioner. To be used with optional Wall Thermostat Package 6798B6951, no heater package available.

6798-730 Flush Mount ceiling plenum. For applications where the return air of the coach is ducted. To be used with Wall Thermostat Package 6799B6951, no heater package available.

### For 6799 Series

6799A714 Cool only ceiling assembly, optional heater package 6759A7361 available.

6799A716 Heat / Cool ceiling assembly, built in heater package.

6799-720 Cool only ceiling assembly. For applications where the return air is not ducted and a wall mounted thermostat is desired for operating the air conditioner. To be used with optional Wall Thermostat Package 6799B6951, no heater package available.

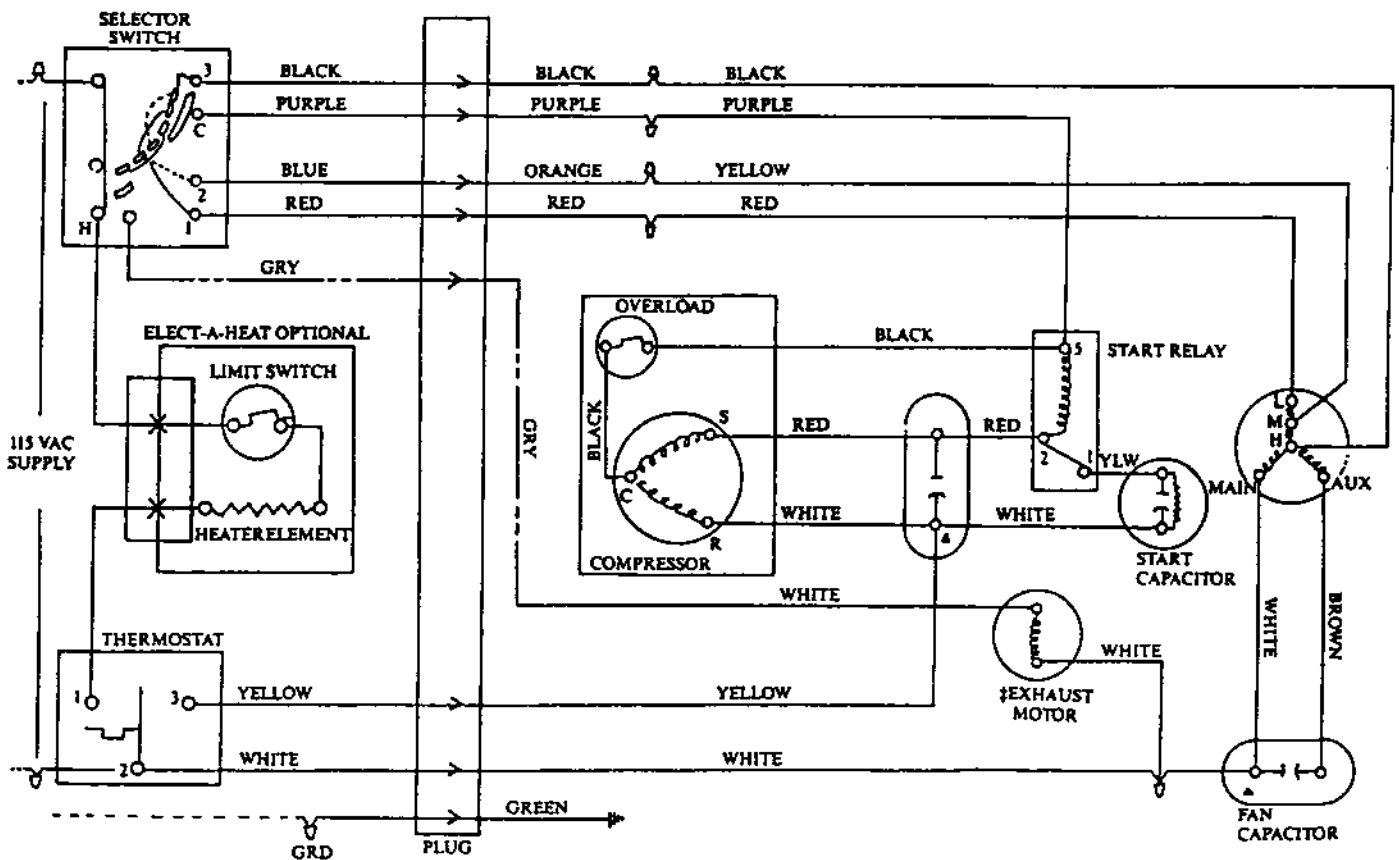
6798-730 Flush Mount ceiling plenum. For applications where the return air of the coach is ducted. To be used with Wall Thermostat Package 6799B6951, no heater package available.

### Accessories

6799-7441 Remote Control Box. For applications where both the return & supply air are ducted and no ceiling plenum is required. Air conditioner operates from a wall mounted thermostat. To be used with Wall Thermostat Package 6799B6951.

6759A7361 Electric Heat Conversion Package.

## WIRING DIAGRAMS



## WIRING DIAGRAM

**RECREATION VEHICLE PRODUCTS, INC.**  
 WICHITA, KS. 67219

**DANGER SHOCK HAZARD! DISCONNECT POWER SUPPLY BEFORE SERVICING ANY ELECTRICAL COMPONENT.**

**CHECK TERMINAL LOCATIONS FOR CORRECT CONNECTIONS AND SPACING BEFORE OPERATION.**

**AVIS! DEBRANCHEZ LES FILS ELECTRIQUES AVANT LE INTRETIEN ET DE TOUT COMPARTIMENT OU ORGANE ELECTRIQUES.**

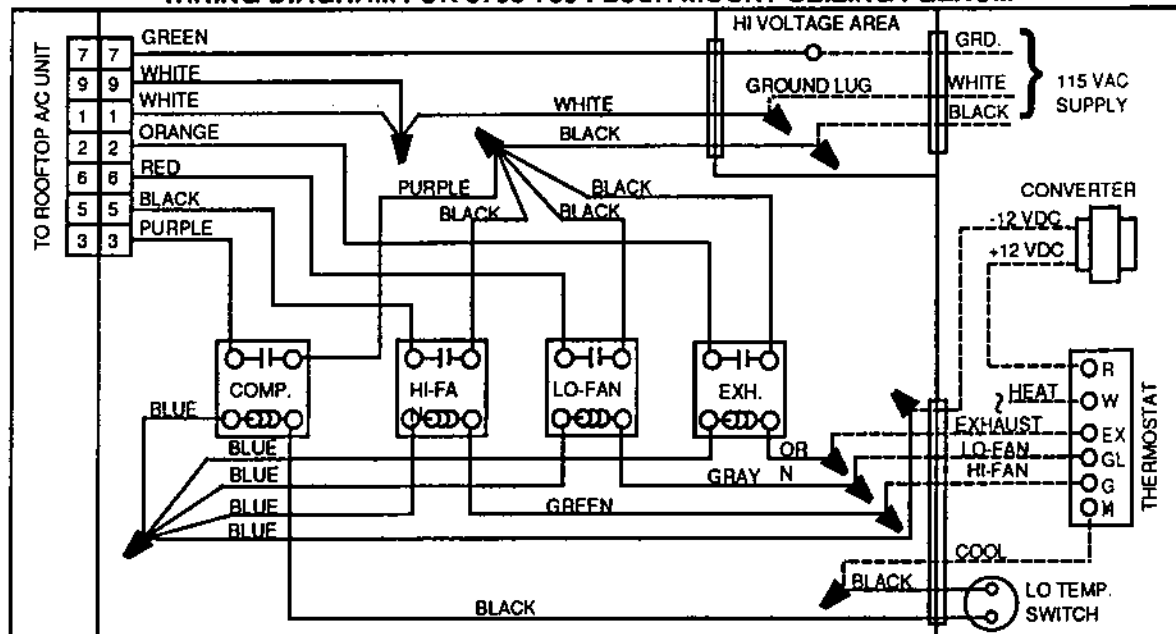
**USE TIME DELAY FUSE MAX. AMP 20 OR CIRCUIT BREAKER MAX. AMP 20 U.L. H.A.C.R. TYPE MAX. AMP 20**

**APPROVED FOR NONMETALLIC SHEATH SUPPLY CABLES SUPPLY WIRES 12 AWG MIN. USE COPPER CONDUCTORS ONLY.**

TO BE USED WITH	MODEL OF AIR CONDITIONER	12 VDC THERMOSTAT
	ALL 6727, 6757, 6759, 6770, & 6799 SERIES AIR CONDITIONERS	6799A6951
	6798 SERIES AIR CONDITIONER	6798A6951

----- INDICATES FIELD WIRING NECESSARY

### WIRING DIAGRAM FOR 6798-730 FLUSH MOUNT CEILING PLENUM



## WIRING DIAGRAM

