



# DATA SHEET ROUGHNECK SERIES

SPECIFICATIONS By Model Number		6770B Series Roughneck	
BTU Capacity (nominal)	Cooling	13,500	
	Heating ①	5,600	
Power Supply Volts/Cycle/Phase		115V/60 Hz/1 Phase	
Cooling Full Load	Compressor	11.0	
AMP's At ARI Standard Condition	Fan Motor	Low - 2.1	High - 2.8
	Total	13.1	13.8
Feature Equipment Amps	Heating ①	16.0	
RUNNING WATTS: (cooling) A.R.I. Standard Condition (80°F. DB/ 67°F. WB Indoor, 95° F. DB Outdoor at 115 VAC)		1,600	
RUNNING WATTS: (cooling) A.R.I. Maximum Condition (95°F. DB/ 71°F. WB Indoor, 115° F. DB Outdoor at 103.5 VAC)		1,930	
RUNNING WATTS: (heating) ①		1800	
Compressor Locked Rotor AMPs		63.5	
Approximate Compressor Ohm Ratings Common - Start - Run Windings		(C-S) 7	(C-R) 1    (S-R) 8
Thermostat Temperature Range		Cooling-61° (±5°) Heating ①-85° (±5°)	
Metering Device		Capillary Tube	
Refrigerant Charge		15.83 oz.	
Evaporator Air Delivery (CFM)		330 CFM - Hi	150 CFM - Lo
Generator Size		See "Generators" Below	
Installed Weight (pounds)		125	

ELECTRICAL DATA

GENERAL DATA

① When equipped with ELECT-A-HEAT feature.

## GENERATORS

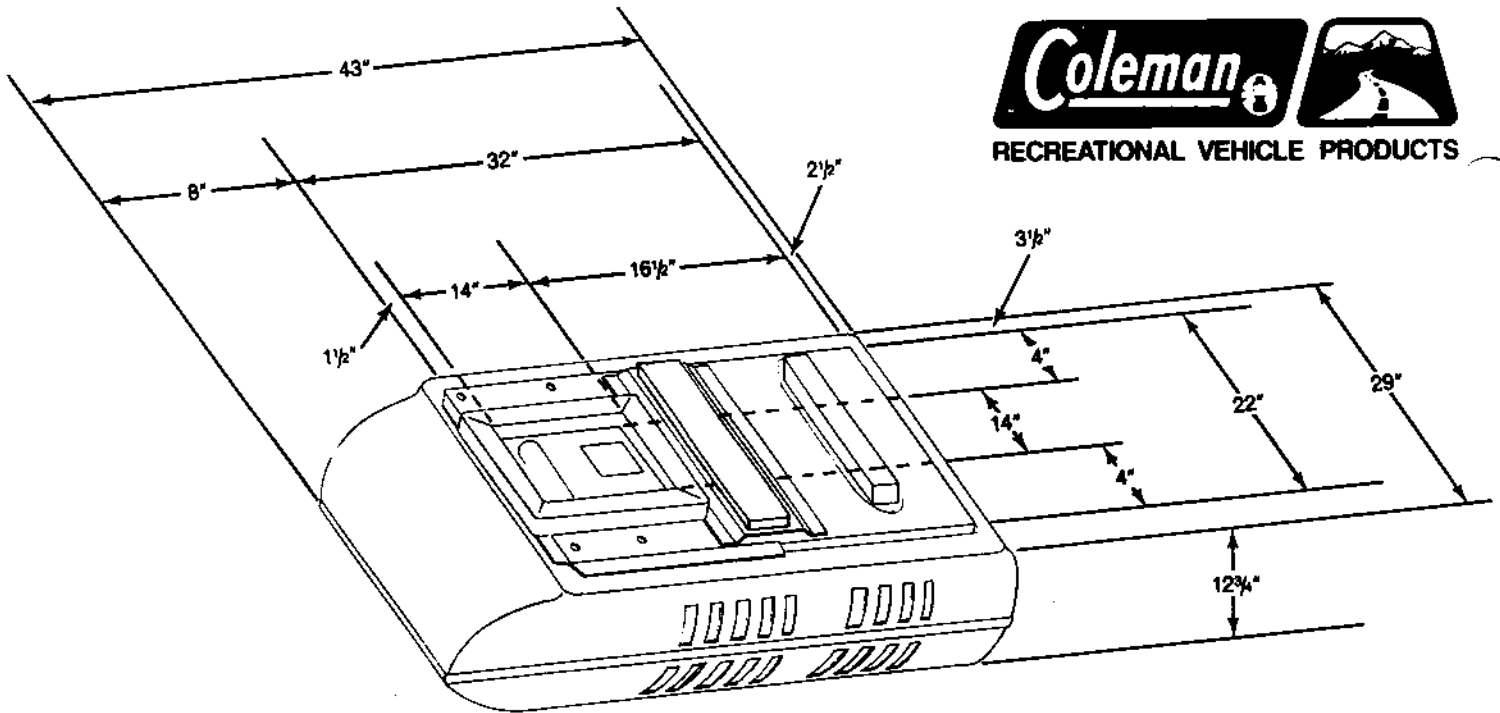
It is not the policy of the Coleman Company to size generators for application in Recreational Vehicles. However, when sizing generators, the total electrical power consumption in Watts must be determined and taken into consideration, such as:

- A. Maximum running watts of the air conditioner at A.R.I. maximum operating conditions (See specifications).
- B. Power consumption of electronic ovens, electric toasters, electric coffeemakers, television sets, refrigerators, lights, etc.

- C. Generators do lose capacity under the following conditions: 1. Altitude increases above sea level. 2. Temperature increases above certain outdoor design temperatures. 3. Lack of maintenance.

### IMPORTANT

In all applications, the roof structure of the vehicle on which the air conditioner is to be installed, **MUST** be capable of supporting a minimum per unit weight of 140 lbs. in transit.

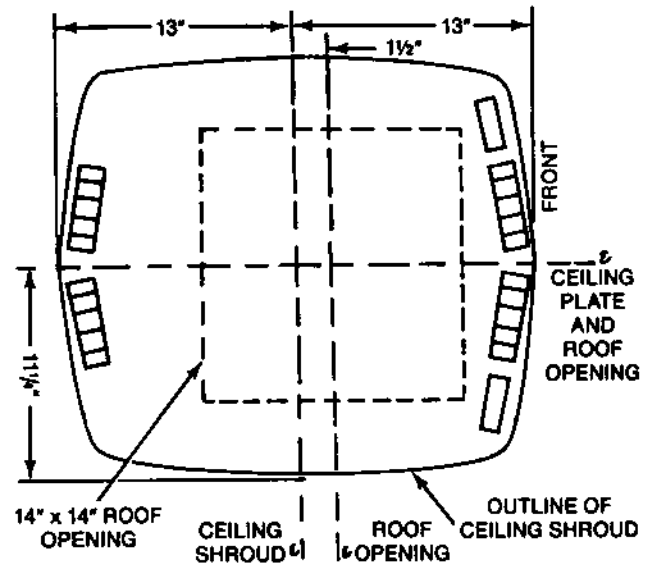


**ROOFTOP UNIT  
BASEPAN DIMENSIONS**

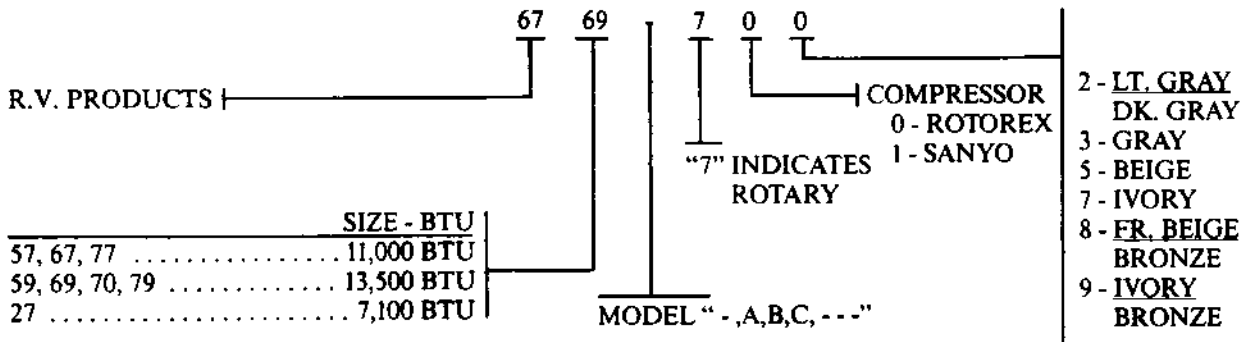
**CEILING SHROUD DIMENSIONS**

**KWIK REFERENCE CHART**

DIMENSIONS		
EXTERIOR SHROUD	HEIGHT	12 <sup>3</sup> / <sub>4</sub> "
	WIDTH	29"
	LENGTH	43"
CEILING SHROUD	DEPTH	3"
	WIDTH	22 <sup>1</sup> / <sub>2</sub> "
	LENGTH	26"



**MODEL NUMBER BREAKDOWN**

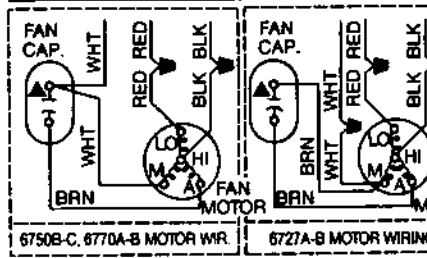
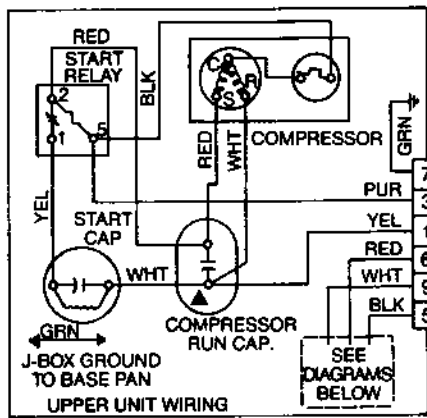
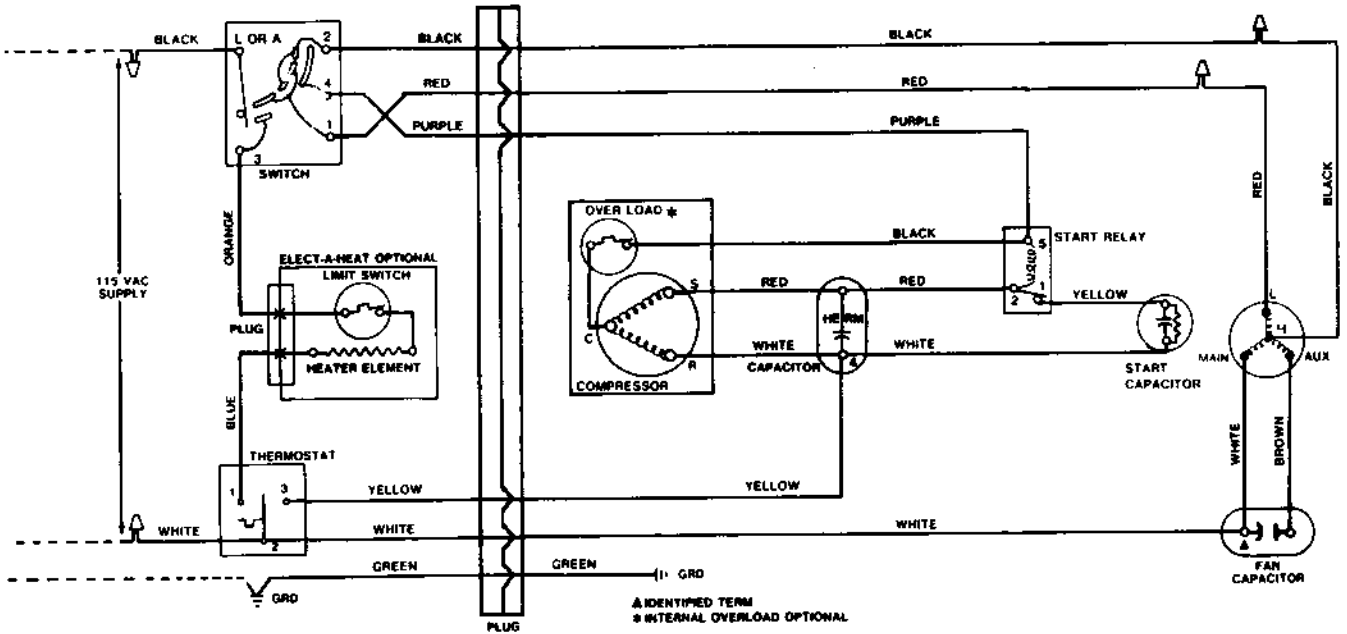


**Ceiling Assemblies**

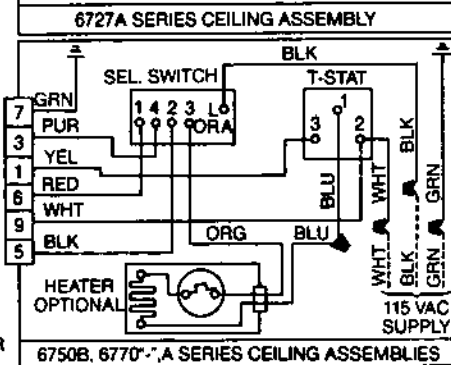
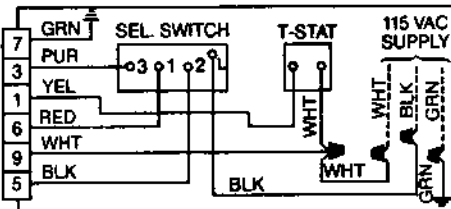
- 6769A714 — Cool Only, Htr. Pkg. 6769-7261 Available. Delta T function and exhaust wiring and decals included.
- 6769A716 — Heat/Cool, Built-in heater, Delta T function and exhaust wiring & decals included.
- 6759B714 — Cool Only, Htr. Pkg. 6759-7361 Available.
- 6759B716 — Heat/Cool, Built-in heater.
- 6770A716 — Heat/Cool, Built-in heater. Continuous cool t-stat included. Controls toward front.
- 6770-718 — Heat/Cool, Built-in heater. Continuous cool t-stat included. Controls toward rear.
- 6727A714 — 1<sup>1</sup>/<sub>2</sub>" high-thin ceiling assembly - No heat available - 2 speed.
- 6759-7441 — Remote Control Box

**WIRING DIAGRAMS**

LADDER TYPE WIRING DIAGRAM



**FOR 6727A-B, 6750B-C, 6770A-B SERIES R.V. ROOFMOUNT AIR CONDITIONERS**



THE COLEMAN CO. INC.  
WICHITA, KANSAS 67201

USE TIME DELAY FUSE MAX  20 AMP.  
OR MAX. CIRCUIT BREAKER:  
U.L. H.A.C.R. TYPE  20 AMP.  
CSA  20 AMP.

SUPPLY WIRES 12 AWG MIN.  
USE COPPER CONDUCTORS ONLY.

CHECK TERMINAL LOCATIONS FOR CORRECT CONNECTIONS AND SPACING BEFORE OPERATION.

**DANGER! SHOCK HAZARD!**  
DISCONNECT POWER SUPPLY BEFORE SERVICING ANY ELECTRICAL COMPONENT.

**AVIS!**  
DEBRANCHEZ LES FILS ÉLECTRIQUES AVANT L'ENTRETIEN ET LE DÉTOUT COMPARTIMENT OU ORGANES ÉLECTRIQUES.

1976A037 (10-85) P.I. LITHO IN USA