

DATA SHEET TSR ROTARY SERIES

SPECIFICATIONS By Model Number		6757E Series TSR Rotary		6759E Series TSR Rotary	
BTU Capacity (nominal)	Cooling	11,000		13,500	
	Heating \oplus	5,600			
Electrical Rating		115V/60 Hz/1 Phase			
Cooling Full Load AMP's At ARI	Compressor	10.4		11.0	
	Fan Motor	Low - 2.1	High - 2.8	Low - 2.1	High - 2.8
Standard Condition	Total	12.5	13.2	13.1	13.8
	Feature Equip. Amps	16.0			
RUNNING WATTS: (cooling) A.R.I. Standard Condition (80°F. DB/ 67°F. WB Indoor, 95° F. DB Outdoor at 115 VAC)		1,420		1,600	
RUNNING WATTS: (cooling) A.R.I. Maximum Condition (95°F. DB/ 71°F. WB Indoor, 115° F. DB Outdoor at 103.5 VAC)		1,800		1,930	
RUNNING WATTS: (heating) \oplus		1800			
Compressor Locked Rotor AMPs		56.6		63.5	
Approximate Compressor Ohm Ratings Common - Start - Run Windings		(C-S) 9	(C-R) 1	(S-R) 10	(C-S) 7 (C-R) 1 (S-R) 8
Thermostat Temperature Range		Cooling-61° ($\pm 5^\circ$) Heating \oplus -85° ($\pm 5^\circ$)			
Metering Device		Capillary Tube			
Refrigerant Charge		16.25 oz.		17.00 oz.	
Evaporator Air Delivery (CFM)		330 CFM - High		150 CFM - Low	
Generator Size		See "Generators" Below			
Installed Weight (pounds)		91.5 \oplus		95.0 \oplus	

\oplus When equipped with ELECT-A-HEAT feature.

GENERATORS

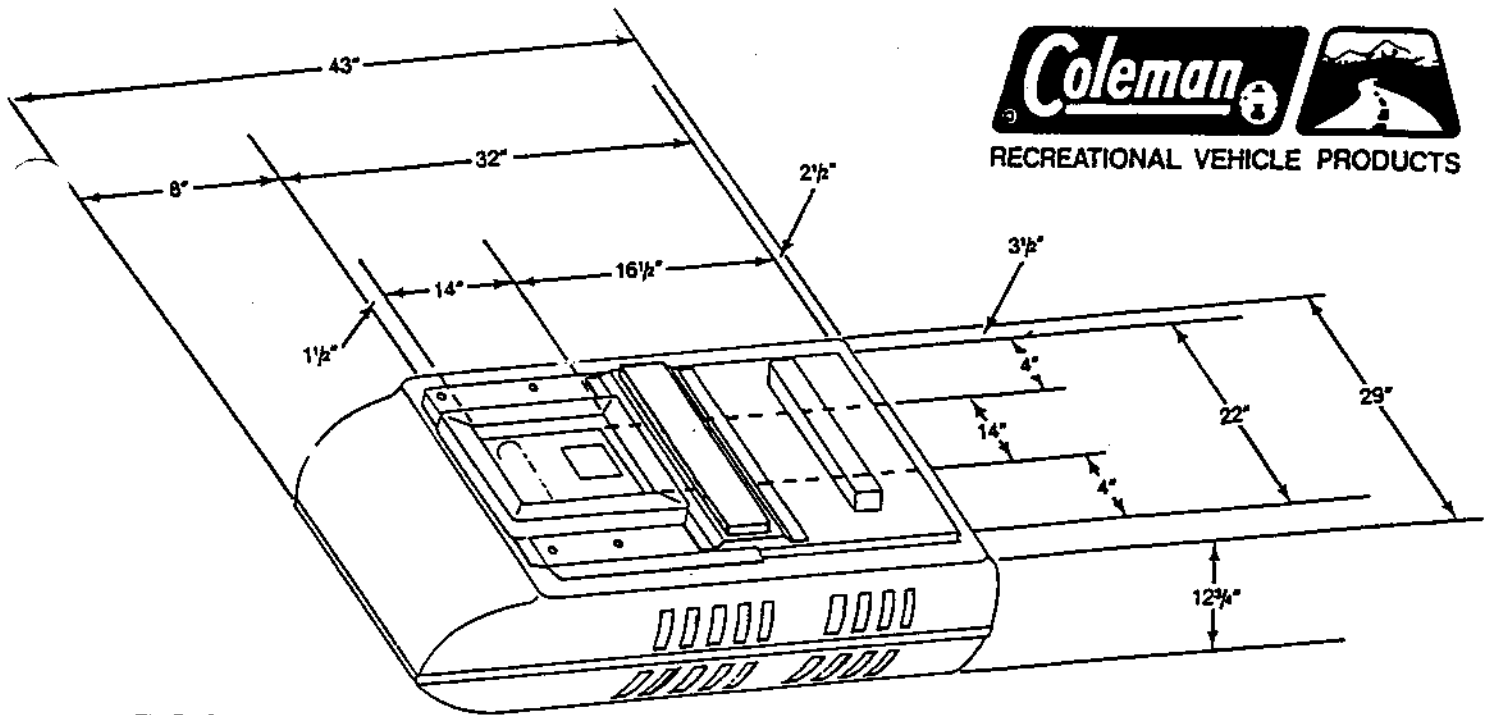
It is not the policy of the Coleman Company to size generators for application in Recreational Vehicles. However, when sizing generators, the total electrical power consumption in Watts must be determined and taken into consideration, such as:

- A. Maximum running watts of the air conditioner at A.R.I. maximum operating conditions (See specifications).
- B. Power consumption of electronic ovens, electric toasters, electric coffeemakers, television sets, refrigerators, lights, etc.

- C. Generators do lose capacity under the following conditions: 1. Altitude increases above sea level. 2. Temperature increases above certain outdoor design temperatures. 3. Lack of maintenance.

IMPORTANT

In all applications, the roof structure of the vehicle on which the air conditioner is to be installed, **MUST** be capable of supporting a minimum per unit weight of 140 lbs. in transit.
All air conditioners tested and rated in accordance with A.R.I. Standard 250-74.

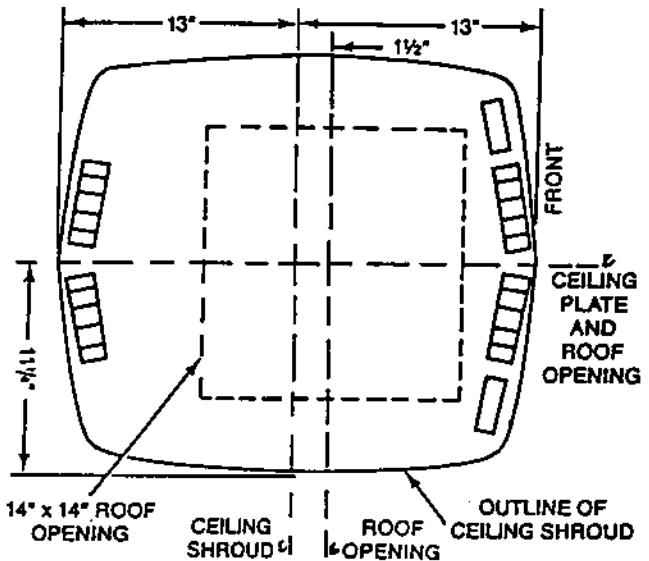


ROOFTOP UNIT BASEPAN DIMENSIONS

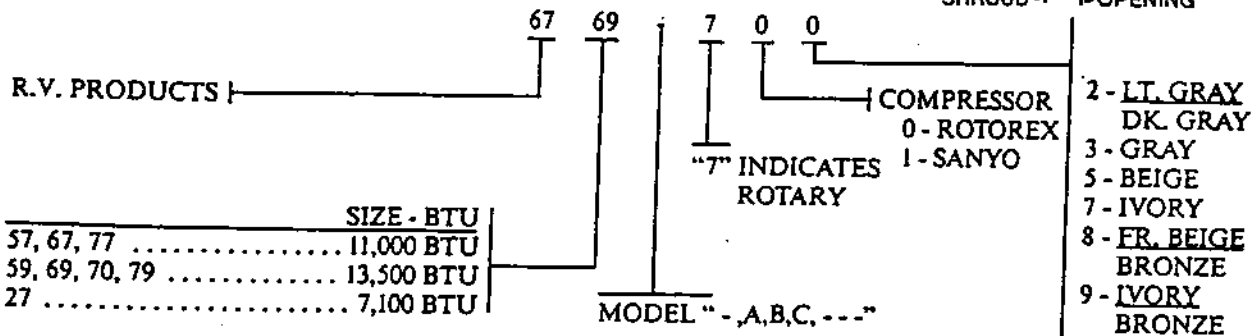
CEILING SHROUD DIMENSIONS

KWIK REFERENCE CHART

DIMENSIONS		
EXTERIOR SHROUD	HEIGHT	12 3/4"
	WIDTH	29"
	LENGTH	43"
CEILING SHROUD	DEPTH	3"
	WIDTH	22 1/2"
	LENGTH	26"



ROOF TOP UNIT MODEL NUMBER BREAKDOWN



Ceiling Assemblies Available

6759D714 Cool only ceiling assembly, optional Heater Pkg. 6759A7361 available.

6759D716 Heat/Cool ceiling assembly, Built-in Heater Pkg.

799-720 Cooling only ceiling assembly, to be used with optional Wall Thermostat Pkg. 6799-6951, no Heater Pkg. available.

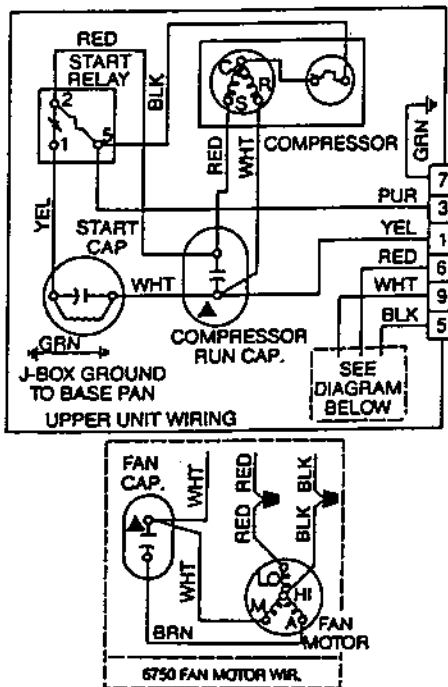
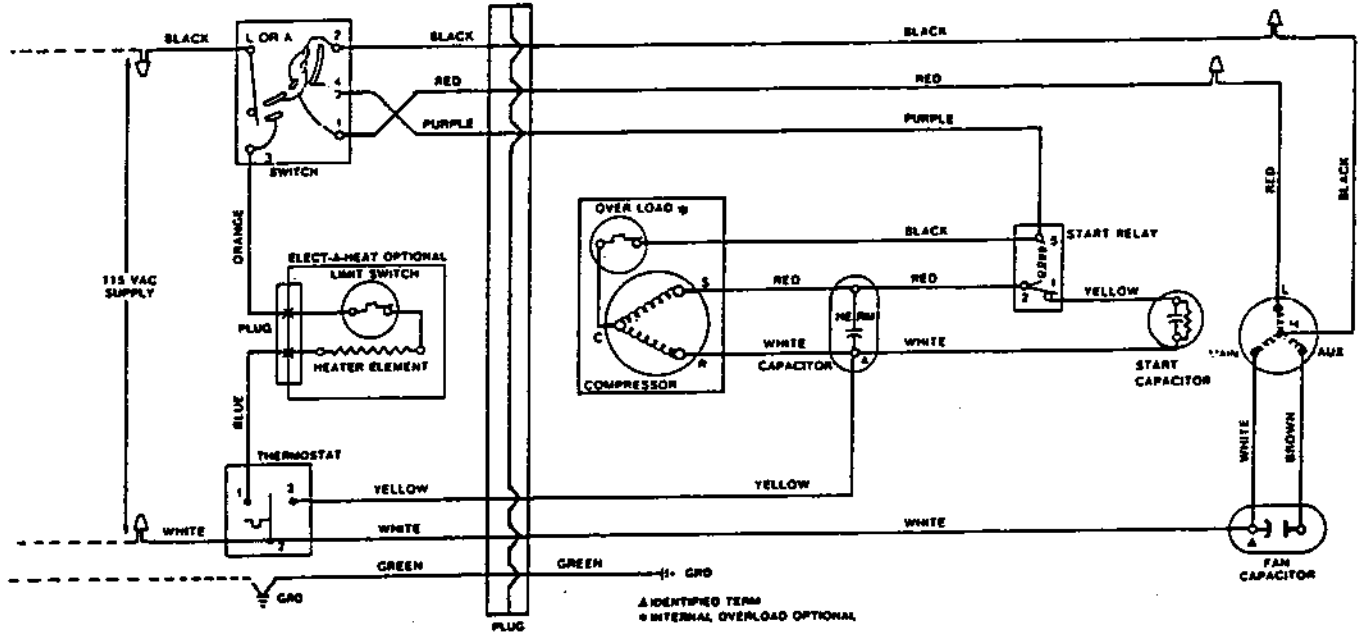
Accessories Available

6799-7441 Remote Control Box.

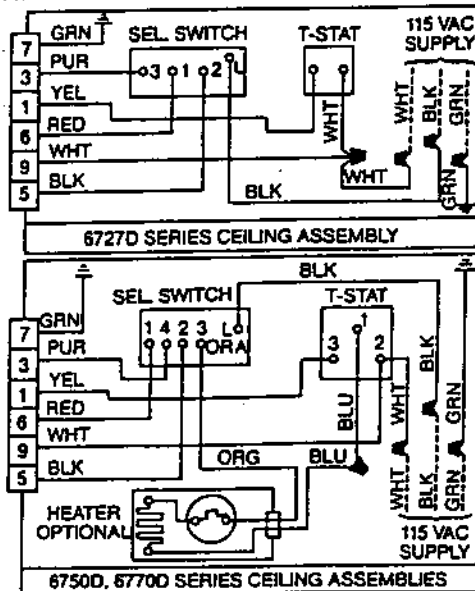
6759A7361 Electric Heat Conversion Pkg.

WIRING DIAGRAMS

LADDER TYPE WIRING DIAGRAM



FOR 6750E SERIES R.V. ROOFMOUNT AIR CONDITIONER



▲ IDENTIFIED TERMINAL

THE COLEMAN CO. INC.
WICHITA, KANSAS 67201

USE TIME DELAY FUSE MAX **20** AMP.
OR MAX. CIRCUIT BREAKER:
U.L. H.A.C.R. TYPE **20** AMP. CSA **20** AMP.

SUPPLY WIRES 12 AWG MIN.
USE COPPER CONDUCTORS ONLY.

CHECK TERMINAL LOCATIONS FOR CORRECT CONNECTIONS AND SPACING BEFORE OPERATION.

DANGER! SHOCK HAZARD!
DISCONNECT POWER SUPPLY BEFORE SERVICING ANY ELECTRICAL COMPONENT.

AVIS!
DÉBRANCHEZ LES FILS ÉLECTRIQUES AVANT L'ENTRETIEN ET LE DÉTACHÉMENT DE TOUT COMPARTIMENT OU ORGANES ÉLECTRIQUES.

1976-096 (6-89) P.L. LITHO IN USA