



# DATA INQUIRY SHEET

Coleman RV Air Conditioners/Faulkner Awnings

## 6727-800 & 6727A800 SERIES MINI-MACH WITH RECIPROCATING COMPRESSOR

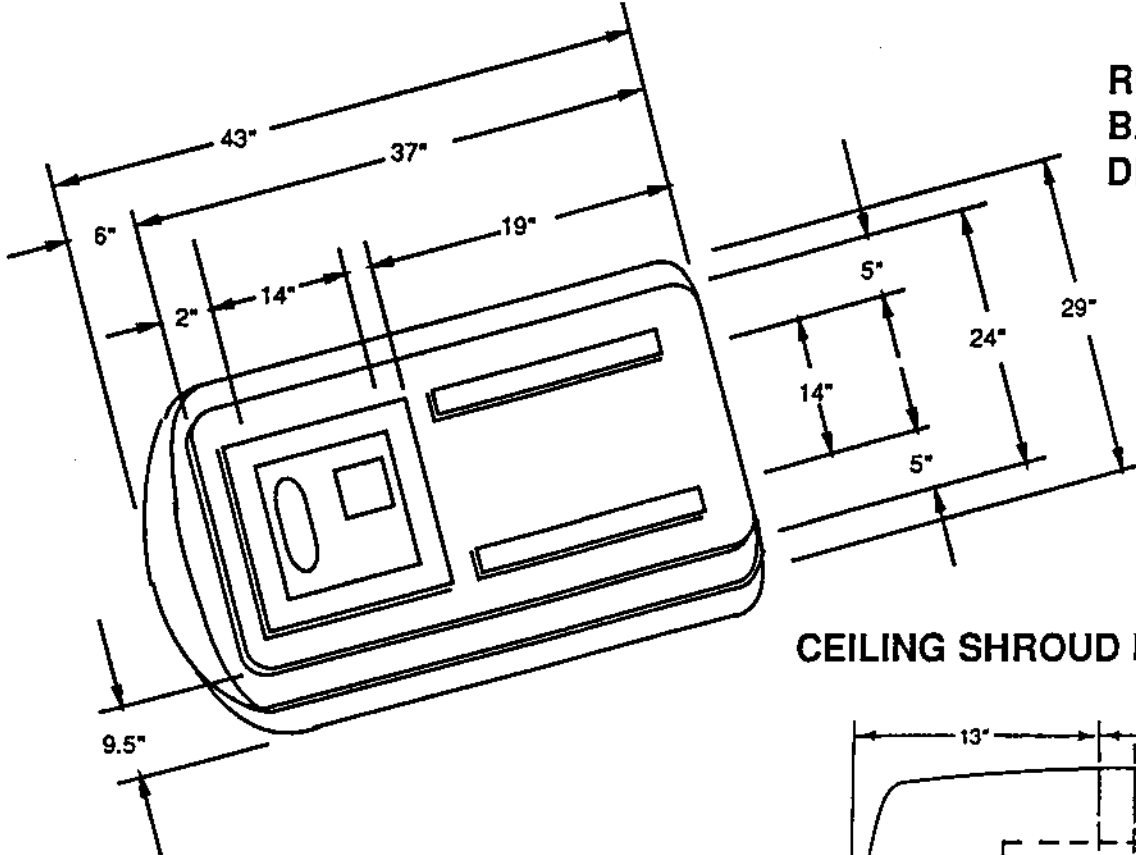
BTU Capacity (nominal)	Cooling	7,100	
	Heating	5,600	
Electrical Rating	115V, 60 HZ, 1 Phase		
Cooling Full Load AMP's at A.R.I. Standard Condition	Compressor	9.0	
	Fan Motor	Low - 1.0	High - 1.6
	Total	10.0	10.6
Feature Equipment Amps	Heating	16.0	
Running Watts: (cooling) A.R.I. Standard Condition (80°F. DB/67°F., WB Indoor, 95°F. DB Outdoor at 103.5 VAC)		1,180	
Running Watts: (cooling) A.R.I. Maximum Condition (95°F. DB/71°F., WB Indoor, 95°F. DB Outdoor at 103.5 VAC)		1,400	
Running Watts: (heating)		1,800	
Compressor Locked Rotor Amps		38	
Compressor Ohm Ratings (approx.) C = Common, S = Start, R = Run		(C-S) 11.7, (C-R) 1.1, (S-R) 12.6	
Thermostat Temperature Range		Cooling - 61° (± 5°), Heating - 85° (± 5°)	
Metering Device		Capillary Tube	
Refrigerant Charge		15.75 oz.	
Evaporator Air Delivery (CFM)		225 CFM - High, 130 CFM - Low	
Generator Size		See "Generators" Below	
Upper Unit Installed Weight (pounds)		109	

**Generators:** It is not the policy of Recreation Vehicle Products, Inc. to size generators for application in Recreational Vehicles. However, when sizing generators, the total electrical power consumption in Watts must be determined and taken into consideration, such as:

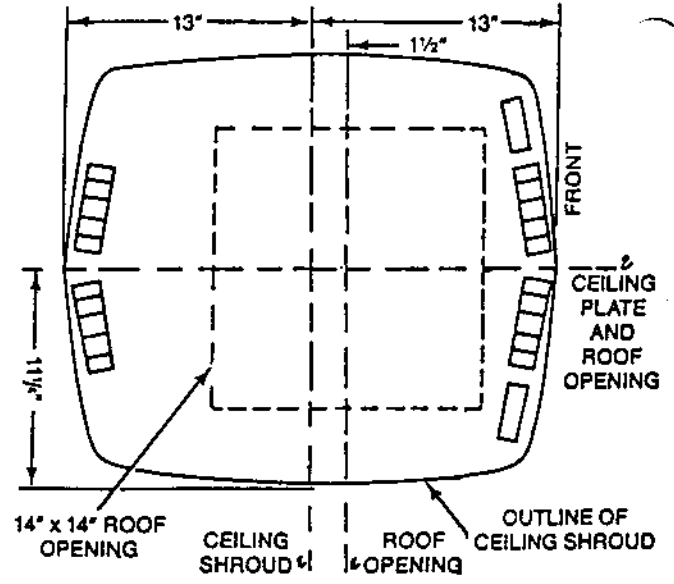
1. Maximum running watts of the air conditioner at A.R.I. maximum operating conditions (See Specifications).
2. Power consumption of electronic ovens, toasters, coffeemakers, television sets, refrigerators, lights, etc.
3. Generators do lose capacity under conditions such as; (a) altitude increases above sea level, (b) temperature increases above certain outdoor design temperatures and (c) lack of maintenance.

In all applications, the roof structure of the vehicle on which the air conditioner is to be installed, MUST be capable of supporting a minimum per unit weight of 140 lbs. in transit. All air conditioners tested and rated in accordance with A.R.I. Standard 250-74.

**ROOF TOP UNIT  
BASEPAN  
DIMENSIONS**

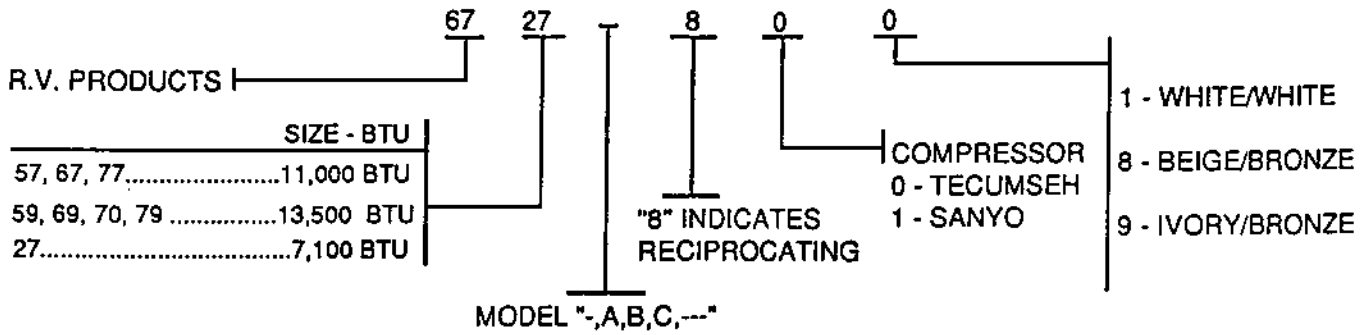


**CEILING SHROUD DIMENSIONS**



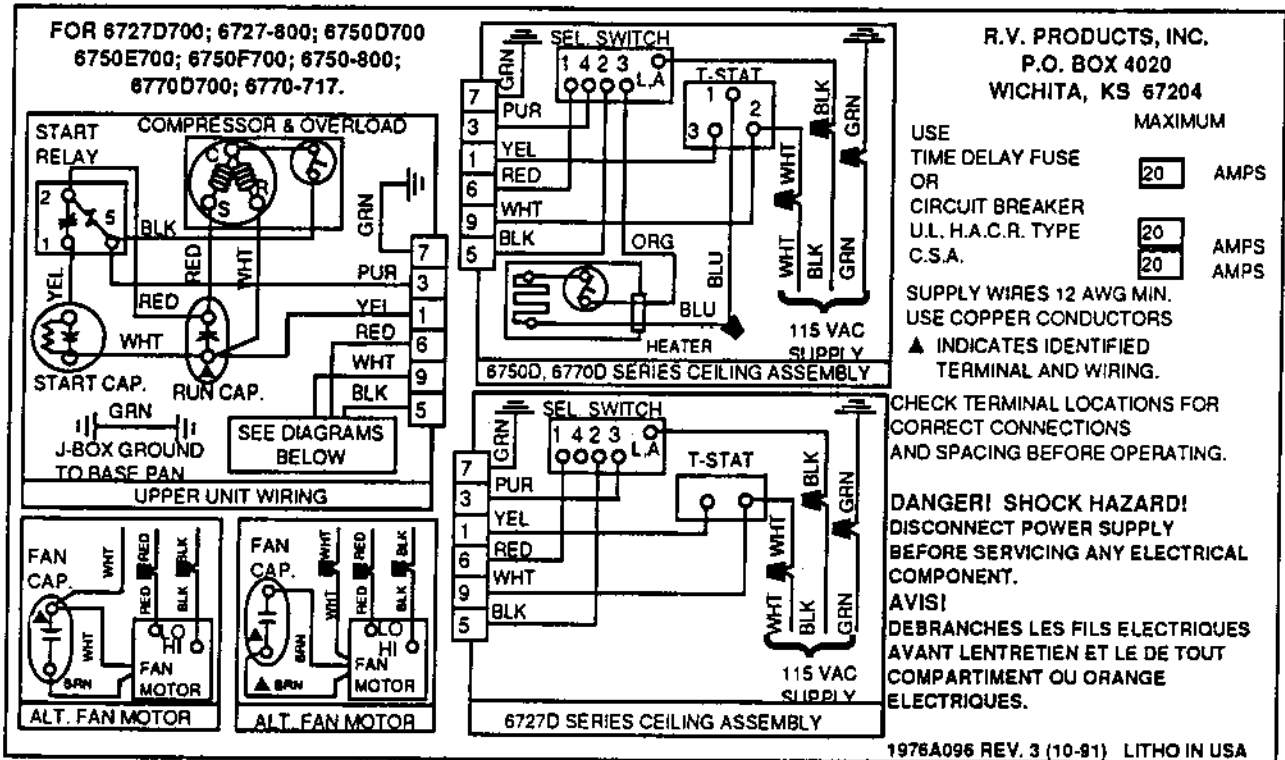
DIMENSIONS		
EXTERIOR SHROUD	HEIGHT	9 5/8"
	WIDTH	29"
	LENGTH	43"
INTERIOR SHROUD	DEPTH 6727	2 1/8"
	DEPTH 6759	3"
	WIDTH	22 1/2"
	LENGTH	26"

**ROOF TOP UNIT MODEL NUMBER BREAKDOWN**





Coleman RV Air Conditioners/Faulkner Awnings



**CEILING ASSEMBLIES AVAILABLE:**

- 6727D714 — Cool only ceiling assembly, no heater package available.
- 6759D714 — Cool only ceiling assembly, optional heater package 6759A7361.
- 6759D716 — Heat/Cool ceiling assembly, built-in heater package.
- 6799-720 — Cool only ceiling assembly, to be used with optional wall thermostat package 6799B6951, no heater package available.
- 6799-730 — Cool only Flush Mount ceiling assembly, to be used with optional thermostat package 6799B6951, no heater package available.

**ACCESSORIES AVAILABLE:**

- 6759A7361 — Electric heat conversion kit, for use with 6759D714 ceiling assembly only.
- 6799-7441 — Remote control box, for use with thermostat package 6799-5801. For applications where ducting is provided and a ceiling assembly is not required.