



1120 North Main Street • Elkhart, IN 46514
PHONE: 574•264•2131 **FAX:** 574•206•9713
INTERNET: http://www.atwoodmobile.com



LITERATURE NUMBER MPD 51381

LP GAS RANGE & SLIDE-IN COOKTOPS

RV, CV, RA, CA (34) Models

PROTECTED BY U.S. PATENTS D397,909 AND 5,931,151
 OTHER PATENTS PENDING

ENGLISH

•Installation •Operation •Maintenance

Effective 1/16/08

SAFETY ALERT SYMBOLS

Safety Symbols alerting you to potential personal safety hazards.
 Obey all safety messages following these symbols.

⚠ WARNING
 avoid possible
 injury or death

⚠ CAUTION
 avoid possible
 injury and/or property damage

FOR YOUR SAFETY

READ ALL INSTRUCTIONS BEFORE OPERATING APPLIANCE

Installer: Provide these instructions to the consumer.
Consumer: Keep documents for future reference.

⚠ WARNING FIRE OR EXPLOSION

FOR YOUR SAFETY WHAT TO DO IF YOU SMELL GAS

- Open windows.
- DO NOT touch any electrical switch, or use any phone or radio in vehicle.
- Extinguish any open flame.
- Evacuate ALL persons from vehicle.
- Shut off gas supply at gas container or source.
- DO NOT start vehicle's engine or electric generator.
- Contact nearest gas supplier or qualified Service Technician for repairs.
- If you cannot reach a gas supplier or qualified Service Technician, contact the nearest fire department.
- DO NOT turn on gas supply until gas leak(s) has been repaired.

FOR YOUR SAFETY

- ▶ DO NOT store or use gasoline or other flammable vapors and liquids in the vicinity of this or any other appliance.

⚠ WARNING

- Improper installation, adjustment, service or maintenance can cause injury, property damage or death. Refer to this manual. For assistance or additional information, consult a qualified installer, service agency, manufacturer or the gas supplier.

⚠ WARNING EXPLOSION OR FIRE

- Shut off all gas appliances and pilot lights when refueling gasoline tanks, LP tanks or when vehicle is in motion.
- Atwood & Wedgewood gas operated cooking appliances are for use with LP gas only, and for installation in recreation vehicles only (e.g. travel trailers, motor homes, tent campers, etc.).

⚠ WARNING CARBON MONOXIDE POISONING

- DO NOT use cooking appliance for space heating. It is a potential danger to occupants of vehicle and damage to operating components of the range/cooktop.
- A window or air vent should be open slightly while using any cooking appliance. Gas flames consume oxygen which must be replaced to assure proper combustion.

NOTE TO CONSUMER:

Have the installer or dealer show you where the main gas shut off valve is located so that you will know how and where to turn off the gas supply when necessary.

Table of Contents

Safety Information	1
Installation	1-2
Operation	2-3
Maintenance	3-4
Storage	4
Covers	4
Illustration Figures	5
Warranty	5
Parts Identification	6-7
Accessories / Extended Warranty	14 - 15
Cabinet & Counter/Recessed Bi-Fold - Cut Out Charts	16
Wiring Diagram	16

INSTALLATION

Installation must conform with local codes or in the absence of local codes, with the American National Standard for Recreational Vehicles, ANSI/A119.2 and Article 551, ANSI/NFPA 70. In Canada, installation must conform with CSA Z240.4.2-M.

⚠ WARNING FIRE, EXPLOSION, BURN INJURY CARBON MONOXIDE POISONING

- The cooking appliance must be completely separated and/or sealed from other air moving or air consuming devices such as, but not limited to, furnaces, microwave ovens, clothes dryers, cooling fans and doors or drawers in common cabinets. Failure to do so will affect the appliance(s) combustion air supply by creating either a negative or positive draft.
- NEGATIVE DRAFT caused by air moving appliances may draw the top burner flame down into or toward the cooktop resulting in cooktop damage, burn hazard, explosion possibility and/or carbon monoxide buildup.
- POSITIVE DRAFT may blow out the top burner flame during use resulting in an explosion and/or fire hazard and/or injury to the occupants of the vehicle.
- DO NOT operate the appliance in excessive windy conditions as this may cause a negative or positive draft.

- For proper operation of your cooking appliance:
 THE HOUSING CABINET MUST BE:
 - properly constructed.
 - squared to the countertop and cabinet face
 OPENING IN THE HOUSING CABINET MUST BE:
 - level from side to side and front to rear
- For ranges, the cabinet opening must be constructed so that no combustible material can be placed next to the range sides. If there is a gap between the range and an adjacent cabinet, the gap must be closed prior to installing the range.

⚠ WARNING FIRE

- 30 inches is the *minimum vertical distance to combustible material* above the cooktop stove. This distance may be reduced by using non-combustible construction in accordance with Table 2-6.7.2 in ANSI A119.2.

3. Cabinet dimensions needed for each model are shown in **CABINET & COUNTER CUT OUT CHART**. The cabinet cut-out must be located with respect to the minimum clearances to combustible materials as noted. When planning the location, consider curtains or other combustible materials installed around the range or cooktop.

Note: For models having suffix “N” (i.e. RA1734 BGPN) Countertops with an overhang must be notched as shown in the illustrations. The notch should be 7/16” minimum, both sides.

WARNING
FIRE AND/OR EXPLOSION

- **KNIFE RACK INSTALLATION** - Gas supply pipe must be installed with clearance from knives contacting or cutting gas lines.

4. When the cabinet has been prepared according to the dimensions given and the gas line is in place, remove the range or cooktop from its packaging and position the range or cooktop in the opening.
5. Verify the range or cooktop is level from side to side and front to rear.
6. Remove the cooking grate(s), slide the range top back about 1/8”, then lift up on one of the front corners (FIG 3) to remove the range top.
7. Fasten the range or cooktop in place with wood screws (not supplied) through holes in burner box. Care should be taken to not force the range mounting flanges to bend, which may cause the range or cooktop to be mounted too low in the cabinet cutout.

WARNING
FIRE

- Gas line material inside the burner box must be rated for a minimum of 300°F operation.

8. Make the gas connection. All openings in the cabinetry around the gas line must be closed at time of installation. **RA, CA series with electronic ignition:** Complete the electrical connections as shown in the **WIRING DIAGRAM**. For galley slide-out applications, it is highly recommended that the negative 12 volt connection be connected directly to the battery. Voltage supply must be between 9 and 13 VDC. Appliance electrical rating is 12VDC, 0.6A during sparking.

CAUTION
PRODUCT DAMAGE HAZARD

- Connect to 12VDC service only.
- DO NOT connect to a circuit fused for more than 3 amps.
- DO NOT hi-pot range unless electronic ignition system has been disconnected.

9. Turn on the gas supply.

WARNING
EXPLOSION OR FIRE

- DO NOT use matches, candles or other sources of ignition to test fittings and gas lines for leaks.

10. Check all connections for gas leaks using a non-corrosive leak detection fluid. Do not use a soap and water solution. Leak test in excess of 8 oz. per square inch (1/2 psi) of air pressure will invalidate warranty.

11. Replace range top (FIG 4-5). Range/cooktop is now ready for operation.

TOP BURNER OPERATION

WARNING
BURN INJURY, FIRE AND/OR EXPLOSION

- Use range or cooktop only for use as described in this manual.
- DO NOT leave children alone or unattended in area where range or cooktop is in use. Never allow anyone to sit, stand, or climb on any part of the range cooktop. They could be burned or injured.
- DO NOT store things children might want above the range or cooktop. Children could be burned or injured while climbing on it.
- DO NOT wear loose or hanging garments when using the range or cooktop. They could ignite if they touch an open flame and you could be burned.
- Use only dry potholders. Moist or damp potholders on hot surfaces may result in burns from steam. Do not let the potholder touch an open flame. DO NOT use a towel or bulky cloth for a potholder. It could catch on fire.
- DO NOT heat unopened containers. They could explode. The hot contents may cause burns and container particles may cause injury.
- DO NOT use range or cooktop for warming or heating vehicle. You could be burned or injured, a fire could start, or deplete oxygen in the vehicle.
- DO NOT store flammable materials on, in, or near the range or cooktop. Any fumes can create an explosion and/or fire hazard.

WARNING
BURN INJURY, FIRE AND/OR EXPLOSION

- All control knobs must be turned to OFF when not in use. Fire and/or burning hazard may occur if a burner is accidentally left ON.
- DO NOT operate range or cooktop if it is damaged or not working properly.
- Know where your vehicle’s main LP gas shutoff is located.
- Verify sufficient gas supply before attempting to light any top burner. Air in the gas supply line will significantly delay burner ignition, and a burner may light unexpectedly as the air in the line clears out and is replaced by LP gas; this unexpected ignition may burn you. Air may be introduced into the supply line when the vehicle gas bottle is replaced, during servicing of other gas appliances, etc.
- If any burner should extinguish (after initially lighting or due to accidental blow-out), turn all burner knobs clockwise ↻ to OFF and WAIT FIVE (5) MINUTES before again attempting to light the burner.
- DO NOT touch top burners, burner grates, or other areas near top burners during and after use. Do not let clothing or other flammable materials to contact top burners or areas near top burners until they have had sufficient time to cool.
- Make sure the utensils you use are large enough to contain food and avoid boil overs and spillovers. Heavy splattering or spillovers left on the cooktop can ignite and burn you.
- DO NOT drop pans on the porcelain surface. Cracks or chips in the porcelain surface may result.
- Be sure that glass cooking utensils are safe for use on the cooktop. Only certain kinds of glass utensils are suitable for surface or top burner use without breaking due to the sudden changes in temperature.
- Never leave top burners unattended. A boil over could result and cause smoking and greasy spillovers that may ignite.
- Turn pan handles inward, but not over other top burners. This reduces the chance of burns due to bumping pan.
- Grease is flammable. Never allow grease to collect around top burners or on cooktop surface. Wipe spillovers immediately.
- DO NOT use water on grease fires. Never pick up a flaming pan. Smother a flaming pan with a tight-fitting lid or cookie sheet. Flaming grease outside of the pan can be extinguished with baking soda or a multipurpose dry chemical or foam-type fire extinguisher.
- Use care when lighting a top burner by hand. If the burner lights unexpectedly, or your hand is close to the burner, you may be burned.
- Burner flame should not extend beyond the edge of the cooking utensil. The flame could burn you and cause poor cooking results.

1. Check that gas is on at shutoff valve.

2. **LIGHTING Top Burners:**

- a. All burner controls operate counter-clockwise ↶ and must be pressed inward (toward the cooktop) to turn ON or LITE. Do not attempt to light more than one burner at a time.
- b. IMMEDIATELY light the burner by holding a lit match or a hand-held spark igniter designed for this purpose near the burner ports.
- c. To extinguish the top burner flame, turn the appropriate burner knob clockwise ↷ to OFF.

LIGHTING Top Burners with spark ignition: (FIG 4-5)

- a. Turn the appropriate burner knob counter-clockwise ↶ to ON or LITE. Do not attempt to light more than one burner at a time.
- b. Turn the SPARK knob clockwise ↷ one “click”. If the burner fails to light, continue turning the SPARK knob clockwise ↷ until the burner lights.
- c. To extinguish the top burner flame, turn the appropriate burner knob clockwise ↷ to OFF.

LIGHTING Top Burners with electronic ignition:

- a. Turn the appropriate burner knob counterclockwise ↶ to ON or LITE. This will automatically activate the ignition system, and all burners will begin to spark repeatedly. This is the “clicking” sound you will hear.
- b. The burner will light within five (5) seconds. Once the burner is lit, turn the knob counterclockwise ↶ to the desired setting.
- c. To extinguish the top burner flame, turn the appropriate burner knob clockwise ↷ to OFF.
- d. If 12 VDC power is not available to the ignition module for any reason, top burners may be lit manually. See instructions in “Lighting Top Burners”.

CAUTION
PRODUCT DAMAGE HAZARD

- DO NOT cook with the control knob set in the LITE position. Damage to the ignition module and burner electrodes may result.

3. Proportional flow (linear) top burner valves are installed. Start cooking at the HI setting, then turn the control knob counter-clockwise ↶ to continue cooking and obtain best results. Use the following table as a guide until you get used to the setting.

SETTING	RECOMMENDED USE
LITE	• To light the burner
HI	• To start foods cooking • To bring liquids to a boil
MED 9-6	• To hold liquids at a boil • To fry chicken or pancakes • To cook large amounts of vegetables
LOW - 5- Low	• To keep food warm



**CAUTION
PRODUCT DAMAGE HAZARD**

- **DO NOT** use oversized cookware. The pan should not be more than one inch larger than the burner grate. The maximum pan size is a 10-inch skillet. Oversized cookware will cause excessive heat build-up in the stove top and will result in damage to the burner grate, burner and cooktop.
- **DO NOT** use a broiler pan, griddle, or any other large utensil which covers more than one (1) top burner at a time. This will create excessive heat which may cause melting, sooting or discoloration damage to the burner grates, range top, or utensils.
- **DO NOT** leave an empty utensil, or one which has boiled dry, on a hot top burner. The utensil could overheat and damage the utensil or the cooking appliance.

OVEN OPERATION



**WARNING
FIRE, EXPLOSION, BURN INJURY,
CARBON MONOXIDE POISONING**

- **DO NOT** touch any inner surfaces of the oven or oven door, or the wire rack inside, or any utensils inside the oven during and after use until these areas have had sufficient time to cool. You could be burned or injured. During and after use, do not let clothing or other flammable materials contact these areas until they have had sufficient time to cool.
- **DO NOT** touch the outer surface of the oven door or the oven vent while the oven is in use. These areas become hot enough to cause burns. During and after use, do not let clothing or other flammable materials contact these areas until they have had sufficient time to cool.
- **DO NOT** cover the ventilation holes in the oven broiler shelf (shelf above oven burner). The air circulation inside the oven will be interrupted and cooking times will vary from normal; food may be burned or undercooked.
- **DO NOT** cover the oven vent openings while the oven is in operation; restricting the flow of combustion air may create a carbon monoxide poisoning hazard.
- **DO NOT** use oven as a storage area.
- If oven pilot should extinguish after initial lighting or due to accidental blowout, turn oven knob clockwise ↷ to OFF and wait five (5) minutes before again attempting to light oven.

1. Check that gas is on at shutoff valve.

2. LIGHTING THE OVEN PILOT

- Push in oven control knob FIG 1-A and rotate counter-clockwise ↶ to PILOT ON - PUSH/HOLD.
- PUSH the knob in and HOLD it in while holding a lit match under the oven pilot FIG 1-C located near the back of the oven, under the broiler shelf FIG 1-B and to the right of the oven burner FIG 1-D.
- Continue to hold the oven control knob in for 5 seconds after pilot is lit. Release knob and verify pilot stays lit. Repeat steps (b) and (c) if pilot does not stay lit.
- Set the oven control knob to PILOT PUSH/HOLD to maintain pilot flame. The oven and broiler are now ready for operation; see #3 below before proceeding. The oven pilot has been factory set and requires no further adjustment.
- To extinguish the oven pilot, push in the oven control knob FIG 1-A and rotate clockwise ↷ to OFF. Extinguish all pilots when refueling or traveling.

3. LIGHTING THE OVEN BURNER:

- Light the oven pilot as described in #2 above.
- With the oven control knob set to PILOT PUSH/HOLD, push in and rotate the knob counter-clockwise ↶ to the desired temperature setting or to BROIL. The oven will pre-heat in approximately 15 minutes. For best results, always pre-heat the oven before use.
- To extinguish the oven burner, rotate the knob clockwise ↷ to PILOT PUSH/HOLD. The oven pilot will remain lit.
- For complete shutdown, push in and rotate the knob clockwise ↷ to OFF.

4. USING THE BROILER:

- Light the oven pilot as described in #2 (above).
- Push in and rotate the oven control knob counter-clockwise ↶ to BROIL.
- Center a broiler pan under the broiler flame.
- Move and turn the food over frequently to ensure even browning and cooking.

Note: A 2-piece enameled broiler pan (MPD 51042) may be purchased from Atwood.

Note: Cooking times will be longer at higher altitudes (+4000 feet).

MAINTENANCE



**WARNING
BURN INJURY, FIRE AND/OR EXPLOSION**

- Make sure all controls are OFF and the range or cooktop is cool before cleaning.
- Make sure that all cooktop surfaces, burner grates and burners are cool before cleaning or disassembling cooktop.
- **DO NOT** use oven cleaners, bleach, or rust removers on the cooktop or burner grates.
- **DO NOT** obstruct the flow of combustion and ventilation air.
- Keep appliance area clear of combustible materials, gasoline and other flammable vapors and liquids.
- Clean oven with oven cleaner only. Follow directions on the container.
- Never use a wire brush or metallic item for cleaning burner ports or orifices. Brush may "shed" bristles, that may lodge in the orifice or burner ports and cause a fire or explosion.



**CAUTION
PRODUCT DAMAGE HAZARD**

- Clean all surfaces as soon as possible after boil overs or spillovers.
- Use warm soapy water only to clean the burner grates, cooktops, painted surfaces, porcelain surfaces, stainless steel surfaces and plastic items on your range or cooktop. Do not use grit or acid-type cleaners.
- **DO NOT** use steel wool, or abrasive cleaners, or acid type cleaners such as chlorine bleach on your cooktop or grate systems. They will damage your range or cooktop. Use only non-abrasive plastic scrubbing pads.
- **DO NOT** allow foods containing acids (such as lemon or tomato juice, or vinegar) to remain on porcelain or painted surfaces. Acids may remove the glossy finish. Wipe up egg spills when cooktop is cool.
- **DO NOT** wash warm porcelain surfaces. Allow these areas to cool before cleaning. You could burn yourself, or the porcelain could crack.
- Pitting and discoloration will result if spills are allowed to remain for any length of time on stainless steel.
- **DO NOT** allow spillovers to remain on the burner caps. The caps could become permanently stained.
- When cleaning around the burners, use care to prevent damage to the electrode (if so equipped). If a sponge or cloth should catch the metal igniter electrode, it could damage or break the electrode. If this occurs, the burner will not light.

The owner's cooking habits and cleanliness will affect the operation of the range or cooktop. Proper installation and care will help keep your range or cooktop looking and operating like new. Most cleaning can be performed using normal household items.

RANGE & SLIDE-IN COOKTOP:

- To remove the range top:
All Models - Push firmly in the back of the top to slide the entire top backwards. While the top is slid backwards, lift up on one of the two front corners (FIG 3).

2. To replace the range top:
 - a. RV & CV Models - Place top on range (FIG 4) so the tabs on the spring clips fit into the slots on top (FIG 4-B). Push backwards on the top until the bracket(s) on the front of top fits into center notch or side tabs in the front control panel (FIG 5).
 - b. RA & CA Models - Place the top on the range (FIG 4) so that the tabs on the spring clips fit into the slots on the top (FIG 4-B). Attach spark wires to burners (FIG 4-A), routing the wires away from the center of the burner, burner tube gaskets must be in place. Rotate the top downward, all three burner tubes must fit up into the burner caps (FIG 4-C). Use a side to side motion when rotating the top down. Once the tubes are up into the burner caps, push backwards on the top until the side tabs near the front of top fits into the side tab on the control panel (FIG 5).

3. To remove burner grates:
 - a. RV and CV Models - simply lift grate up and remove. Replace by placing two legs at a time into the retaining grommets.
 - b. RA & CA Models - lift grate up by rotating up away from center of stove (fig 2). Replace by placing legs into silicone retaining grommet and rotating back down on cooktop.

Clean all surfaces quickly after boil over or spillovers. Use a dry towel or cloth to soak up spills.

ALL SURFACES - When surface is cool, clean with warm soapy water, rinse and dry with soft cloth. Additional cleaning measures:

- Control Knobs - pull the knobs straight off the stems to clean.
- Control Panel - You may use a spray glass cleaner, applying cleaner to a paper towel (do not spray directly on panel.)
- Cook Top Surface - You may use a mild liquid cleaner/glass cleaner.

- Surface Burner Grates - They should be cleaned as soon as they become dirty. You may need to use a non-abrasive plastic scrubbing pad.
- Surface Burners, Burner Ports or Orifices - if clogged, gently brush perforated areas with a lightweight brush (toothbrush) or carefully clean holes out with a toothpick.

NOTE: Heavy burned on soil may require repeated cleaning steps until the soil is completely removed.

NOTE: The grate and surface of the cook top is covered with porcelain coating. Porcelain is a glass/ceramic coating glazed to the surface of the metal. Porcelain is designed to provide a surface that can withstand high temperatures and maintain an attractive appearance and make it easier to clean.

After top burners have been on for a period of time, you may experience a popping sound when the burner is turned off. This is normal and does not create a safety hazard.

STORAGE

Dry all surfaces and burner box, then spray surfaces with an oil base substance to preserve the surface from rusting during long term storage. Wipe off oil coating before reuse.

RANGE MAINTENANCE & CARE INSTRUCTIONS

CARE OF PORCELAIN

The grates and surface of the cook tops are coated with porcelain. Porcelain is a glass/ceramic coating glazed to the surface of the metal. Porcelain is designed to provide a surface that withstands high temperatures, has an attractive appearance and is easy to care for and clean.

UNACCEPTABLE - WHICH WILL VOID YOUR WARRANTY

- NEVER use steel wool, abrasive cleaners, or acid type cleaners such as chlorine bleach or dish detergents with lemon fruit acid on any part of your cook top or grate system.
- DO NOT drop pans on the cook top surface, you may crack or chip the porcelain surface.

Should the porcelain become cracked, chipped or affected by excessive heat, the porcelain surface will become unsightly and its effectiveness will be reduced.

GENERAL COOKING INSTRUCTIONS

To quickly bring liquids to a boil or to begin a cooking procedure use a high flame setting. Reduce the flame to a lower setting to continue cooking. using a higher flame setting than is necessary to maintain a gentle boil will not cook food more quickly. After top burners have been on for a period of time, you may experience a popping sound when the burner is turned off. This is normal and does not create a safety hazard.

COOKWARE

Acquire cookware that fits the RV environment. Proper cookware will reduce cooking time, using less energy with better cooking results.

ACCEPTABLE

- A heavy gauge (aluminum or copper) metal pan with a smooth flat bottom (no more than 10" diameter), straight sides, and a tight fitting lid.
- Cover pan with a lid, food cooks faster when covered, because more heat is retained.
- Lowering flame size, increases cooking efficiency.
- Use cookware with appropriate utensils.

UNACCEPTABLE - WHICH WILL VOID YOUR WARRANTY

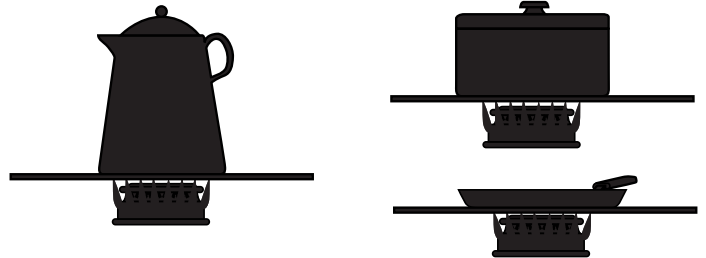
Oversized cookware causes a build up of excessive heat, which results in damage to the burner grate, burners, and cook top. Including the following cookware - but not limited to:

- Griddles
- Any cookware that extends beyond 1" of the grate edge.
- Any cookware that comes into contact with the cook top.
- Woks with support rings which restrict air circulation around the burners.

Excessive heat will cause grates and tops to lose their protective coating, becoming unsightly in appearance. Airflow is important for cooking, the warmed air must be allowed to mix with air around the burner.

COOKWARE

Use cookware that fits the RV environment, Proper cookware will reduce cooking time, use less energy, and produce better cooking results.



OVEN HEAT CONTROL AND GENERAL USE

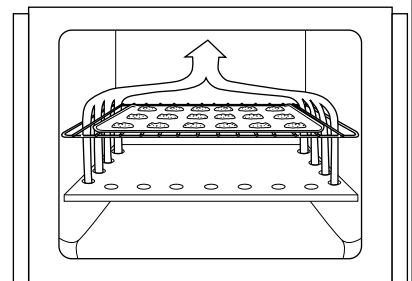
PREHEATING OVEN

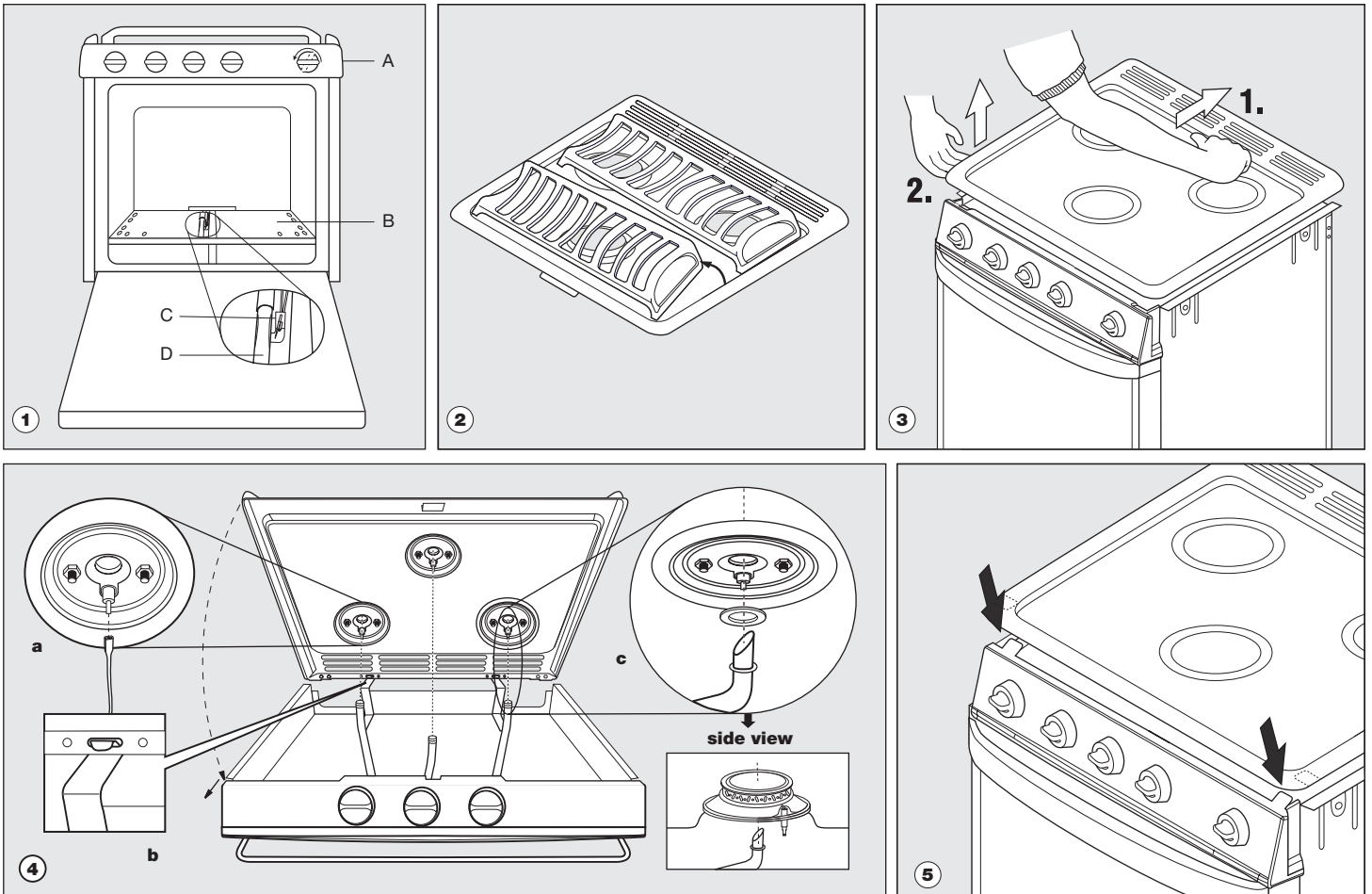
For best results, preheat the oven for 15 minutes before use. For baking, do not select a higher than required temperature to preheat the oven faster, it may have a negative effect on baking results.

AIR CIRCULATION

Warmed air must circulate freely throughout the oven for food to cook properly. To prevent undercooked or burned food:

- **DO NOT cover or block ventilation holes in the oven broiler shelf (shelf above the burner).**
- DO NOT cover the bottom of the oven with aluminum foil to catch "over flow".
- DO NOT cover oven racks with aluminum foil.
- Place the food to be baked in the center of the oven with 1"-2" inches space from the oven wall on all sides allowing at least 1"-2" of space on all sides of the container.
- DO NOT crowd the oven with assorted pans or block air passage with an oversized pan.





COOKING APPLIANCE LIMITED WARRANTY

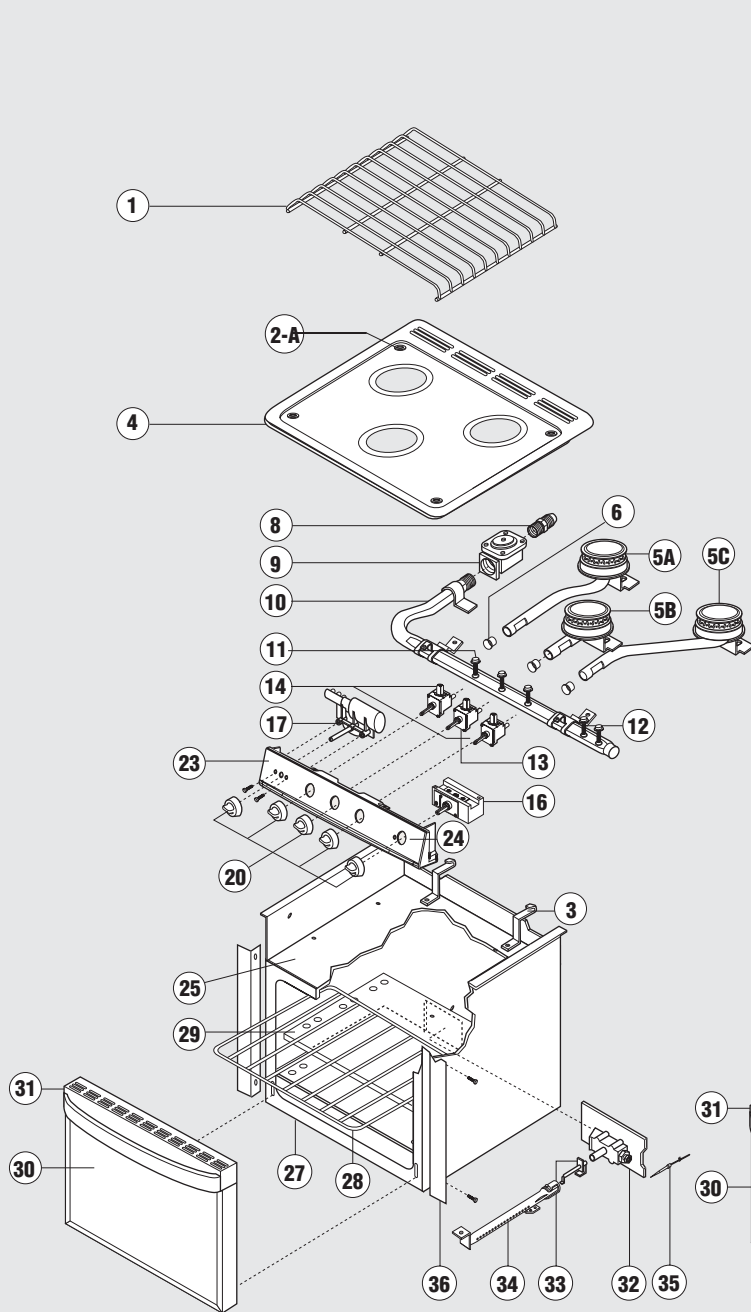
Atwood Mobile Products warrants to the original owner and subject to the below mentioned conditions, that this product will be free of defects in material or workmanship for a period of two years from the original date of purchase. Atwood's liability hereunder is limited to the replacement of the product, repair of the product, or replacement of the product with a reconditioned product at the discretion of Atwood Mobile Products. This warranty is void if the product has been damaged by accident, unreasonable use, neglect, tampering or other causes not arising from defects in material workmanship. This warranty extends to the original owner of the product only and is subject to the following conditions:

1. For two years from the date of the original purchase Atwood warrants that this product will be free of defects in material and workmanship with the exceptions noted below. This warranty includes reasonable labor charges required to remove and replace the part. Service calls to the customer's location are not considered part of these charges and are therefore the responsibility of the owner.
2. This warranty does not cover the following items classified as normal maintenance and/or customer damage.
 - a. Damage, discoloration or scratches to porcelain enamel or other finishes from improper use and care.
 - b. adjustment of gas pressure
 - c. cleaning or adjustment of any burners
 - d. cleaning or replacement of burner orifices
 - e. cleaning or adjustment of pilot and thermocouple
 - f. damage to glass
 - g. products purchased for commercial or industrial use.
3. In the event of warranty claim the owner must contact in advance either an authorized Atwood Service Station or the Atwood Service Department. Warranty claim service must be performed at an authorized Atwood Service Station (a list will be provided at no charge) or as approved by the Atwood Service Department Atwood Mobile Products, 1120 North Main St., Elkhart, IN 46514 USA. Phone 866-869-3118.

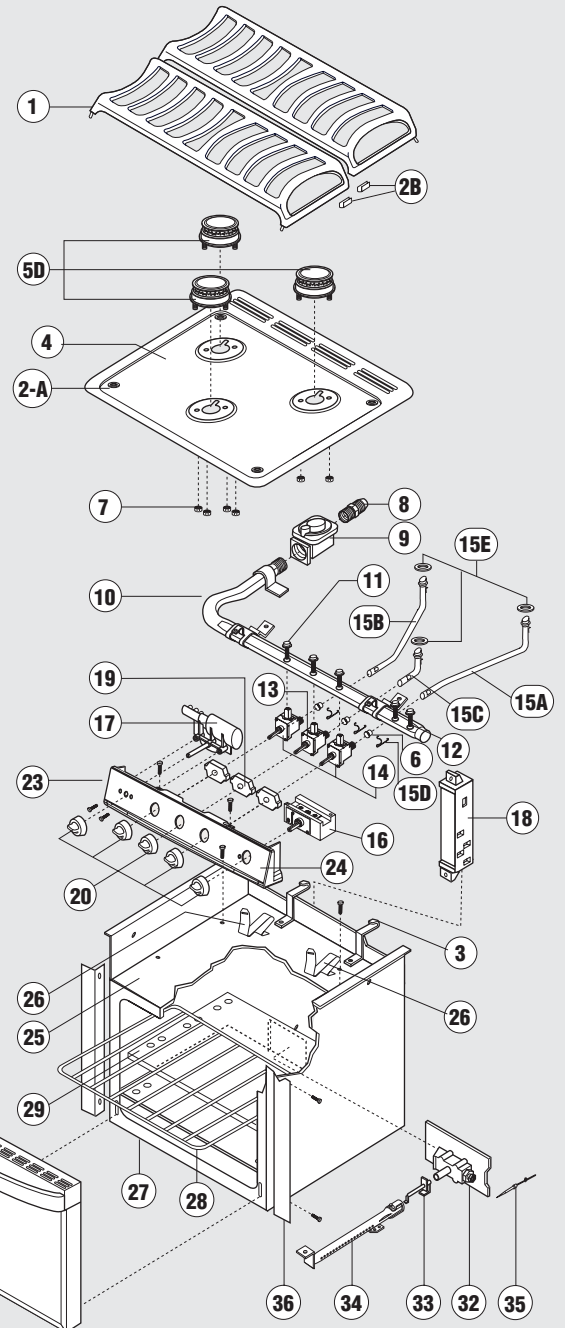
4. Return parts must be shipped to Atwood Mobile Products "prepaid". Credit for shipping costs will be included with the warranty claim. The defective parts become the property of Atwood Mobile Products and must be returned to the Consumer Service Department, Atwood Mobile Products, Greenbrier Operations, 6320 Kelly Willis Road, Greenbrier, TN 37073 USA.
 5. This warranty applies only if the unit is installed according to the installation instructions provided and complies with local and state codes.
 6. The warranty on replacement parts is the unused portion of the original warranty period.
 7. Damage or failure resulting from misuse (including failure to seek proper repair service) misapplication, alterations, water damage or freezing are owner's responsibility.
 8. Atwood does not assume responsibility for any loss of use of vehicle, loss of time, inconvenience, expense for gasoline, telephone, travel, lodging, loss or damage to personal property or revenues. Some States do not allow the exclusion or limitation of incidental or consequential damages, so the above limitations or exclusions may not apply to you.
 9. Any implied warranties are limited to two (2) years. Some States do not allow limitations on how long an implied warranty lasts, so the above limitation may not apply to you. This warranty gives you specific legal rights and you may also have other rights, which may vary, from State to State.
 10. Replacement parts purchased outside the original cooking warranty carry a 90 day warranty. This includes the part at no charge and reasonable labor charges to replace it.
- This Atwood product is designed for use in recreation vehicles for the purpose as stated in the 'data plate'. Any other use, unless authorized in writing by the Atwood Engineering Department, voids the warranty. Atwood/Wedgewood Vision Products include range/oven, drop-in, slide-in and high pressure stoves.

MODEL 34 - WEDGEWOOD (RV / CV) - ATWOOD (RA / CA) Oven & Slide-In Cooktop Parts Identification

RV Series Range & Slide-In Match Light and Piezo



RA Series Range & Slide-In Piezo and Electronic Ignition



ITEM	DESCRIPTION	WEDGEWOOD			ATWOOD		
		RV		CV	RA		CA
		1734	2134	34	1734	2134	34
1	Grate - black	56272	56272	56272	57190	57190	57190
2A	Grommet	53009	53009	53009	53009	53009	53009
2B	Sealed Grate U-Channel				57194	57194	57194
3	Top Spring Clip	51035	51035	51035	51035	51035	51035
4	Range Top - white, side latches	52014	52014	52014	57534	57534	57534
	Range Top - black, side latches	52015	52015	52015	57533	57533	57533
	Range Top - stainless steel, side latches	57532	57532	57532	57529	57529	57529
5A	Kit, Burner, Sparklite - left	57542	57542	57542			
5A	Kit, Burner, Matchlit - left	57543	57543	57543			
5B	Kit, Burner, Sparklite - center	57540	57540	57540			
5B	Kit, Burner, Matchlit - center	57541	57541	57541			
5C	Kit, Burner, Sparklite - right	57538	57538	57538			
5C	Kit, Burner, Matchlit - right	57539	57539	57539			
5D	Kit, Burner w/Igniter				57546	57546	57546
6	Bushing, Burner	53011	53011	53011	53011	53011	53011
7	Hex Nut				51004	51004	51004
8	Brass Fitting	52294	52294	52294	52294	52294	52294
9	Kit, Gas Regulator	51062	51062	51062	51062	51062	51062
10	Kit, Manifold Pipe	57537	57537	57545	57537	57537	57545
11	Bolt, Mini Valve	56088	56088	56088	56088	56088	56088
12	Bolt, Oven Thermostat	56125	56125		56125	56125	
13	Kit, Valve, Burner-9000 BTU	57244	57244	57244	57244	57244	57244
14	Kit, Valve, Burner-6500 BTU	57239	57239	57239	57239	57239	57239
15A	Kit, Burner Tube - right				57548	57548	57548
15B	Kit, Burner Tube - left				57547	57547	57547
15C	Kit, Burner Tube - center				57549	57549	57549
15D	Burner Clip, wire				57198	57198	57198
15E	Kit, Burner Gasket Kit (includes 3 gaskets)				50140	50140	50140
16	Kit, Thermostat oven control	57237	57237		57237	57237	
17	Piezo Ignitor	56096	56096	56096	56096	56096	56096
18	Kit, Ignition Module				57550	57550	57550
19	Kit, Electronic Ignition Switch Harness				57551	57551	57551
20	Kit, Knobs (Piezo, Burners & Oven)	57544	57544	57544	57544	57544	57544
23	Control Panel Assy- w/o Label	◆	◆	◆	◆	◆	◆
24	Control Panel Label	◆	◆	◆	◆	◆	◆
25	Burner Box	51687	51687	51687	51687	51687	51687
26	Kit, Burner Spring Clips				57558	57558	57558
27	Oven Can	51969	51970		51969	51970	
28	Oven rack	51069	51069		51069	51069	
29	Oven shelf	51670	51670		51670	51670	
30	Door assembly includes handle - black steel	51977	51983		51977	51983	
30	Door assembly includes handle - white steel	51978	51984		51978	51984	
30	Door assembly includes handle - white glass	51981	51987		51982	51988	
30	Door assembly includes handle - black glass	51980	51986		51980	51986	
30	Door assembly includes handle - stainless steel	51958	51992		51958	51992	
30	Door assembly white handle - white steel	51957			51957		
	DOOR-Glass Insert - Sm BLACK	51881			51881		
	DOOR-Glass Insert - Lg BLACK		51882			51882	
	DOOR-Glass Insert - Sm WHITE	51883			51883		
	DOOR-Glass Insert - Lg WHITE		51884			51884	
31	Oven Door Handle - black	51124	51124		51124	51124	
	Oven Door Handle - white	51126	51126		51126	51126	
32	Kit, Oven Gas Supply Assy	57232	57232		57232	57232	
33	Kit, Pilot Burner Assy	57234	57234		57234	57234	
34	Kit, Oven Burner	57233	57233		57233	57233	
35	Kit, Thermocouple	57235	57235		57235	57235	
36	Oven Can Trim	51975	51976		51975	51976	
N/S	Kit, 3/16 Pilot Gas Tube	57236	57236		57236	57236	
N/S	Kit, Piezo Ignition Leads	57553	57553	57553	57554	57554	57554
N/S	Kit, Wiring Lead - Electronic Ignition Ground 8"				57260	57260	57260
N/S	Kit, Electronic Ignition Leads				57556	57556	57556
N/S	Kit, Oven Door Hinges	57557	57559		57557	57559	
N/S	Kit, - Door Seal	51060	51061		51060	51061	

Order by model, color and style ◆ commander par couleur
not shown in illustration N/S pas montré

Atwood Extended Service Contract Provides These Extras!

for



ATWOOD WATER HEATER
inner tank



HYDRO FLAME FURNACE
combustion chamber



ATWOOD/WEDGEWOOD RANGE
gas valves & manifold

extends coverage to full five years

one price covers parts and labor

in-shop service
(read complete information on form below)



**Also available...
Service Related Travel**

Includes mileage travel expense by authorized service center

Up to 200 miles total of service travel

One full year of coverage

PLEASE USE ORDER FORM BELOW TO BEGIN EXTENDED SERVICE CONTRACT OF YOUR PRODUCT(S).

ATWOOD EXTENDED SERVICE CONTRACTS



\$45

Water Heater Tank—An extended service contract is available covering the parts and labor for replacement of the **inner tank** in the event the water heater tank develops leaks due to corrosion. This extends the original (2) two year warranty an additional (3) three years for a total of (5) five years to the original owner from the original date of purchase of the water heater or vehicle.



\$25

Furnace Combustion Chamber—An extended service contract is available covering the parts and labor for the replacement of the **combustion chamber** in the furnace in the event the combustion chamber were to prematurely fail due to defects in material or workmanship. This extends the original (2) two year warranty an additional (3) three years for a total of (5) five years to the original owner from the date of purchase of the furnace or vehicle.



\$15

Range Gas Valves and Manifold—An extended service contract is available covering the parts and labor for the replacement of **range burner valves and manifold** in the event of premature failure due to defects in material and workmanship. This extends the original (2) two year warranty an additional (3) three years for a total of (5) five years to the original owner from the original date of purchase of the range or vehicle.

All 3

\$75

Save \$10.00 by selecting all three Extended Service Contracts.

SERVICE RELATED TRAVEL MILEAGE—\$20.00 (See Explanation)



\$20

Mileage Travel Expense—Mileage travel expense is not covered by the Limited Warranty issued with each product. If it is anticipated that it may be inconvenient to transport your vehicle or Atwood product to obtain service you may choose to purchase this Service Mileage option. This will pay up to 200 miles of service travel at 20 cents per mile to an authorized Atwood Service Center whose service personnel travels to your location to perform in-warranty service work on your Atwood product. This is for (1) one year from the original date of purchase of the vehicle or Atwood water heater, furnace or range.

To qualify for any of these options, they must be purchased within 90 days of the vehicle or product purchase. Prices listed are in **US DOLLARS**—please make check amount accordingly. Upon receipt of this completed card together with your check or money order, Atwood will send you a written confirmation of the options you selected.

EXTENDED SERVICE ORDER FORM

Model and Serial Number of each covered appliance is REQUIRED.

Today's Date _____

Date of Purchase _____

Name _____

Address _____

City _____ ST _____ ZIP _____

Phone _____

Your RV Manufacturer's Brand Name _____

Your Dealer's Company Name _____

CONTRACT DESIRED

THE MODEL AND SERIAL NUMBER OF EACH COVERED APPLIANCE IS REQUIRED.

Model No. Serial No.

ATWOOD Water Heater Tank _____ \$45.00

HYDRO FLAME Furnace _____ \$25.00

ATWOOD/WEDGEWOOD Range _____ \$15.00

Save \$10—Select All Three from above

MILEAGE TRAVEL EXPENSE \$20.00



Atwood Mobile Products
1120 North Main Street
Elkhart, IN 46514 USA