



A Division of Dura Automotive Systems

1120 North Main Street • Elkhart, IN 46514

PHONE: 574-264-2131 FAX: 574-262-2550

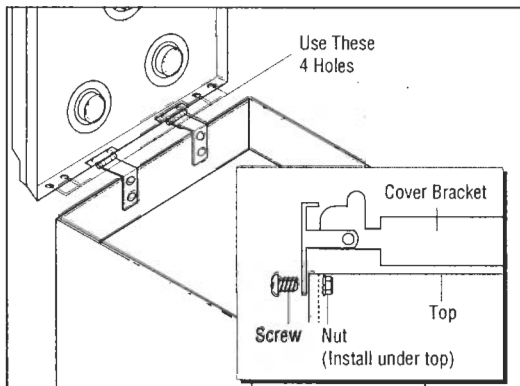
INTERNET: <http://www.atwoodmobile.com>

LITERATURE NUMBER **MPD 53152**

## ATWOOD BI-FOLD COVERS

RA, CA

Effective 10/26/04



For complete  
Atwood range & slide-in  
instructions consult  
MPD 56282.

### FOR YOUR SAFETY -

Read all instructions before operating appliance

**Installer:** Provide these instructions to consumer.

**Consumer:** Keep documents for future reference.

### INSTALLATION PROCEDURE-

1. Remove the burner grates from the range top.
2. Place the bi-fold cover on the range top.  
Ensure the brackets for the bi-fold cover are located behind the range top in the back.
3. Insert the four (4) screws provided through the brackets and the stove top, from the outside.  
Install one screw at a time.

4. Lift the range top. It is hinged at the back and will pivot upward when lifted from the front edge. The top will "snap" loose as you lift up.
5. Thread the four (4) nuts provided on the screws. Tighten securely.
6. Lower the range top, with the bi-fold cover now installed. Press downward on the top until it "snaps" back into place.
7. Lift the bi-fold cover. Ensure the cover operates properly and folds back to a secure position.
8. Replace the burner grates into their position on the stove top.
9. Your Atwood bi-fold cover is ready for use..

continued backside



A Division of Dura Automotive Systems

1120 North Main Street • Elkhart, IN 46514

PHONE: 574-264-2131 FAX: 574-262-2550

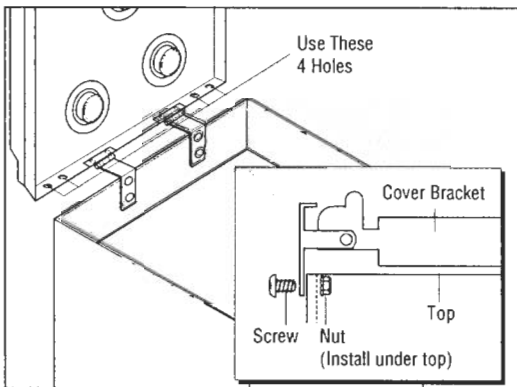
INTERNET: <http://www.atwoodmobile.com>

LITERATURE NUMBER **MPD 53152**

## ATWOOD BI-FOLD COVERS

RA, CA

Effective 10/26/04



For complete  
Atwood range & slide-in  
instructions consult  
MPD 56282.

### **CAUTION** **BURN INJURY**

- When cooking appliance is in use - cover must be in full upright and folded position, pushed completely toward outside wall with hinges resting fully on the metal stop pins provided. This prevents the cover from falling on range top during cooking.

#### OPERATION PROCEDURE-

1. Never close cover while the burners are in use.
2. Do not use cover as a griddle.
3. The oven may be used with cover down.
4. Cover is not for use on top pilot models.
5. Never use cooking appliance while RV is moving.
6. This cover is designed for use only with Atwood brand RV ranges and slide-ins.  
**DO NOT USE WITH OTHER BRANDS OR MODELS.**
7. Bi-fold cover must always be closed when the vehicle is in transit.