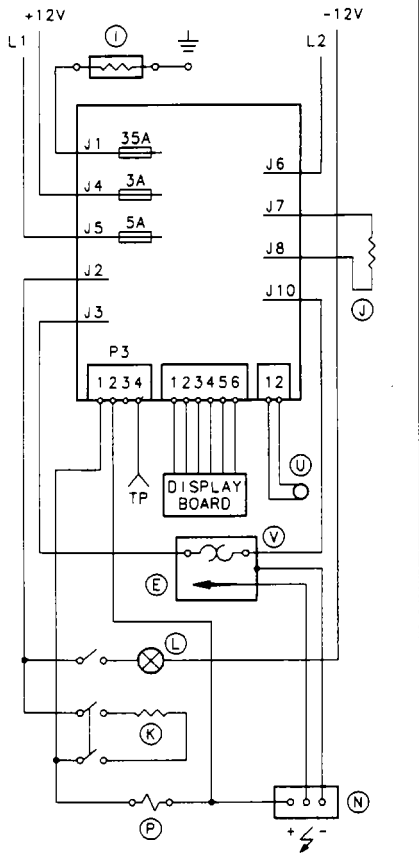
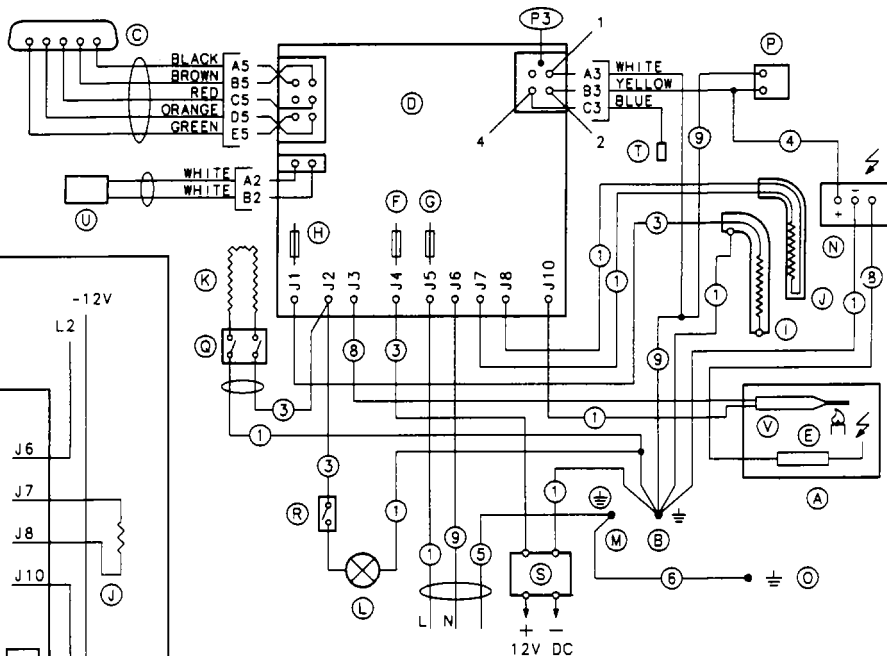


29326765



- | | |
|-----------------------------|----------------------|
| (A) — BURNER HOUSING | (R) — SWITCH LIGHT |
| (B) — CHASSIS GROUND | (S) — TERMINAL BLOCK |
| (C) — CIRCUIT BOARD DISPLAY | (T) — TEST POINT |
| (D) — CIRCUIT BOARD POWER | (U) — THERMISTOR |
| (E) — ELECTRODE | (V) — THERMOCOUPLE |
| (F) — FUSE 3A | |
| (G) — FUSE 5A | |
| (H) — FUSE 35A | |
| (I) — HEATER 12V DC | (1) — BLACK |
| (J) — HEATER 120V AC | (2) — BROWN |
| (K) — HEATING CABLE | (3) — RED |
| (L) — LIGHT | (4) — YELLOW |
| (M) — PROTECTIVE EARTH | (5) — GREEN |
| (N) — REIGNITER | (6) — GREEN/YELLOW |
| (O) — RETAINER | (7) — BLUE |
| (P) — SOLENOID VALVE | (8) — GREY |
| (Q) — SWITCH | (9) — WHITE |