



Atwood Mobile Products

4750 Hiawatha Drive • Rockford, IL 61103-1298

PHONE: 815•877•5700 FAX: 815•877•7469

INTERNET: <http://www.atwoodmobile.com>



LITERATURE NUMBER MPD 38677

hydro flame™

**UNIVERSAL
DC Ignition Control Kit**

ENGLISH, FRANCAIS (et Canada)

•Installation

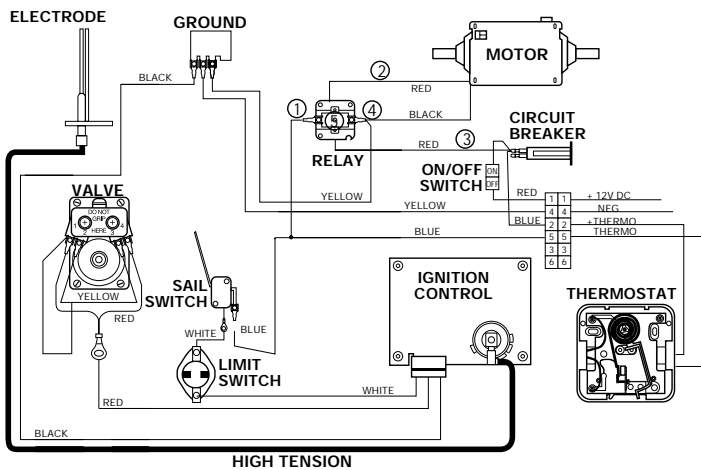
Effective 8/3/01

FUNCTIONS -

- A. Direct field replacement for any 12 volt DC DSI board.
- B. Operates control blower, giving a diagnostic error flash code for four faults within the system (wires included) **EXCEPT FA-78, DC-82, 85-1 & II & 89-II.**

- ① DISCONNECT BLUE wire from relay to splice and discard see ⑥
- ② DISCONNECT RED wire from relay see ⑦
- ③ DISCONNECT RED wire from relay see ⑧
- ④ DISCONNECT YELLOW/BLACK wires from relay. Leave splice connection intact.
- ⑤ DISCARD old relay.

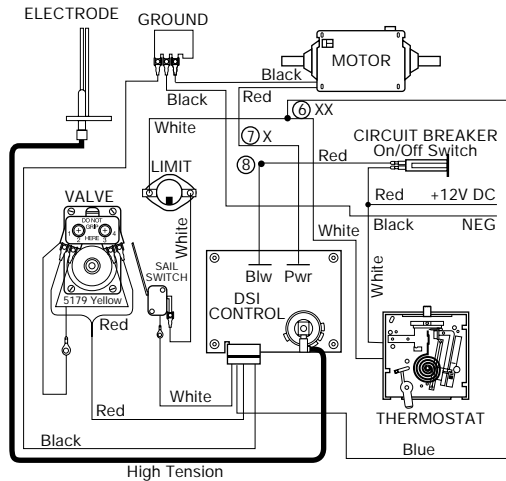
8500 FURNACE - OLD CONTROL



KIT INCLUDES:

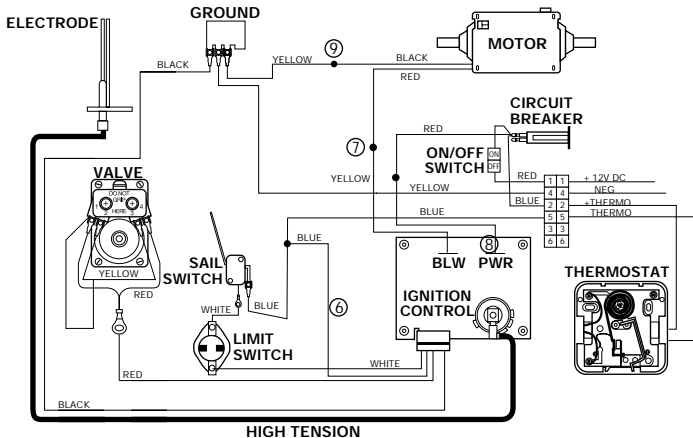
CABLE TIE (1)	Use to secure new wiring
BOARD, DSI WITH RELAY (1)	
STANDOFF (2)	If needed to space control
STICKER, DIAGNOSTIC CODE	Apply to blower housing
WIRE ASSEMBLY, BLUE, SPLICE-DSI TH	
WIRE ASSEMBLY, RED, DSI BLW -(+) MOTOR (2)	
WIRE ASSEMBLY, RED, C/B-DSI POWER	
FOLD OVER SPLICE	Used on 79/80 models only.

7900 FURNACE - NEW CONTROL



- ⑥ CONNECT BLUE kit wire (1/4" male x 3/16" female terminal) into splice and plug into edge connector position 2 next to WHITE wire. XX Use splice 7900 series only.
- ⑦ CONNECT RED kit wire (1/4" male x 1/4" female and plug into new DSI "BLW" terminal. X Kit wire not needed on 7900 series.
- ⑧ CONNECT RED kit wire (1/4" male x 3/16" female and plug into new DSI "PWR" terminal. XXX Kit wire only on 8900 series.
- ⑨ Leave splice connection intact

8500 FURNACE - NEW CONTROL



8900 FURNACE - NEW CONTROL

