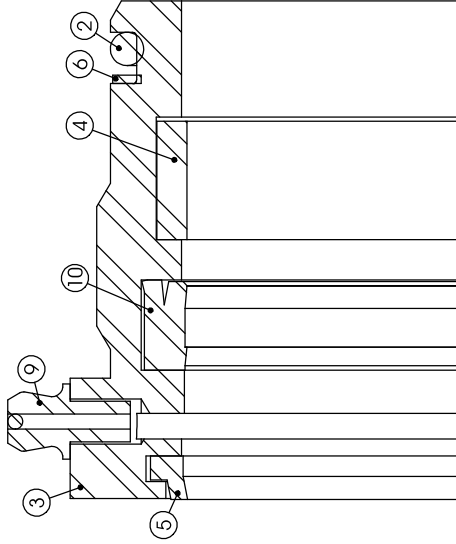
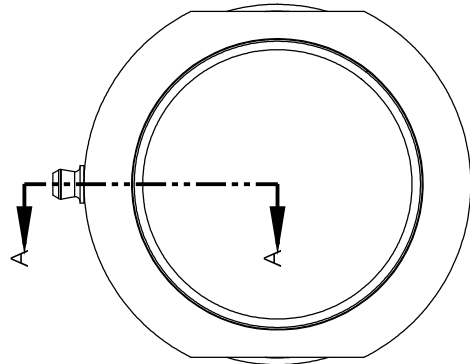
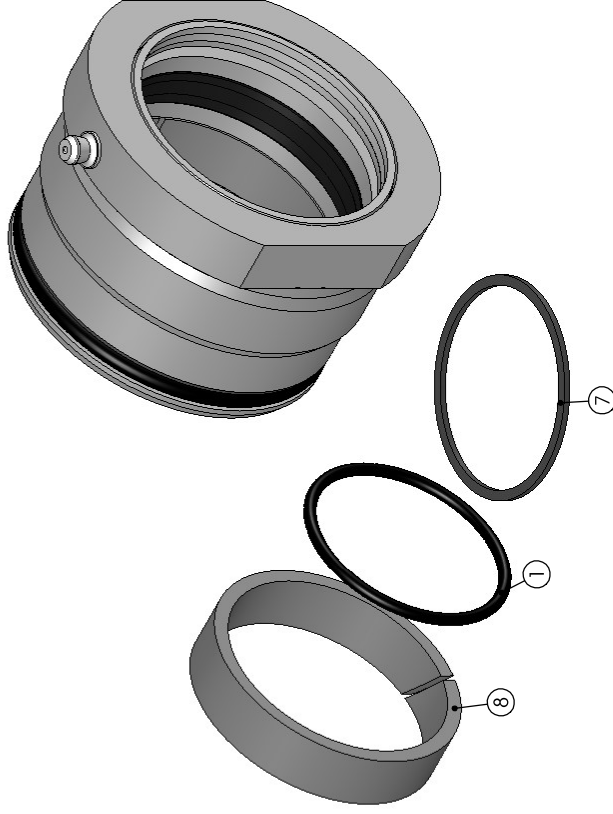


REVISION HISTORY

REV	DATE	DESCRIPTION	ECN	DWR	APVD
A	9/10/2014	RELEASED TO PRODUCTION	ECN-SP-DE-13061	RAW	



SECTION A-A  
SCALE 2:1



ITEM	PART NO.	CONFIG	DESCRIPTION	NAME	GA	QTY.
1	359135	Default	O-RING, APT 131 DURO 70			1
2	359140	Default	O-RING, APT 231 DURO 70			1
3	350693	Default	ROD GUIDE, 3/8 BORE, 3/8 OD, 1/2 LG, GREASE GROOVE	CYLINDER		1
4	261130	Default	WEAR SEAL, 1/2 BORE	HYD FITTING		1
5	359124	Default	WEAR SEAL, 1/2 BORE	HYD FITTING		1
6	359125	Default	BACK UP RING, APT 231 HYTREL	HYD FITTING		1
7	361797	Default	BACK UP RING, APT 131 HYTREL	HYD FITTING		1
8	359094	Default	WEAR RING, ROD 2.25	HYD FITTING		1
9	359094	Default	GREASE FITTING, 1/8" HOLE STRAIGHT	HYD FITTING		1
10	359138	Default	SEAL HALLITE TYPE 605 2.25 I.D., ROD X 2.63 O.D.	HYD FITTING		1

KIT SERV 9K 2002&PRIOR

UNLESS OTHERWISE SPECIFIED  
 1. ALL DIMENSIONS ARE IN INCHES/BREAK  
 2. MATERIAL & FINISH TO BE AS NOTED  
 3. DIMENSIONS ARE TO BE APPROVED  
 4. ANGLES UNLESS OTHERWISE NOTED

FINISH 125/  
 THROUGH PROTECTION

TOLERANCES (EXCEPT AS NOTED)  
 DECIMAL .XX ±.010  
 .XXX ±.005  
 FRACTIONAL ±1/16  
 ANGULAR ±1°

DATE: MM/DD/YYYY  
 SCALE: 1:1  
 DRAWN BY: 359465  
 CHECKED BY: RAW  
 APPROVED BY: RAW

REV: A

SHEET 1 OF 1

THE INFORMATION CONTAINED IN THE DRAWINGS IS THE SOLE PROPERTY OF LIPPERT COMPONENTS, INC. ANY REPRODUCTION IN PART OR AS A WHOLE WITHOUT THE WRITTEN PERMISSION OF LIPPERT COMPONENTS, INC. IS PROHIBITED.

DWG. NO. 359465

DATE: MM/DD/YYYY

SCALE: 1:1

DRAWN BY: RAW

CHECKED BY: RAW

APPROVED BY: RAW

SHEET 1 OF 1

REFERENCE NUMBER:	POWER GEAR: 8001295
MATERIAL TYPE:	
SURFACE QUALITY:	
DECIMAL:	
FINISH GOOD WEIGHT:	1.350
BLANK WEIGHT:	X