



Atwood Mobile Products
 4750 Hiawatha Drive • Rockford, IL 61103-1298
PHONE: 815•877•5700 **FAX:** 815•877•7469
INTERNET: http://www.atwoodmobile.com



LITERATURE NUMBER **MPD 56283**

WEDGEWOOD VISION LP GAS DROP-IN COOKTOPS

DV Series
 PATENTS PENDING

ENGLISH

•Installation •Operation •Maintenance
 Effective 10/25/02

SAFETY ALERT SYMBOLS

Safety Symbols alerting you to potential personal safety hazards. Obey all safety messages following these symbols.

WARNING
 avoid possible
 injury or death

CAUTION
 avoid possible
 injury and/or property damage

FOR YOUR SAFETY

READ ALL INSTRUCTIONS BEFORE OPERATING APPLIANCE

Installer: Provide these instructions to the consumer.
Consumer: Keep documents for future reference.

WARNING

FIRE OR EXPLOSION

FOR YOUR SAFETY WHAT TO DO IF YOU SMELL GAS

- Open windows.
- DO NOT touch any electrical switch, or use any phone or radio in vehicle.
- Extinguish any open flame.
- Evacuate ALL persons from vehicle.
- Shut off gas supply at gas container or source.
- DO NOT start vehicle's engine or electric generator.
- Contact nearest gas supplier or qualified Service Technician for repairs.
- If you cannot reach a gas supplier or qualified Service Technician, contact the nearest fire department.
- DO NOT turn on gas supply until gas leak(s) has been repaired.

FOR YOUR SAFETY

- Do not store or use gasoline or other flammable vapors and liquids in the vicinity of this or any other appliance.

WARNING

- Improper installation, adjustment, service or maintenance can cause injury, property damage or death. Refer to this manual. For assistance or additional information, consult a qualified installer, service agency, manufacturer or the gas supplier.

WARNING

EXPLOSION OR FIRE

- Shut off all gas appliances and pilot lights when refueling gasoline tanks, LP tanks or when vehicle is in motion.
- Atwood & Wedgewood gas operated cooking appliances are for use with LP gas only, and for installation in recreation vehicles only (e.g. travel trailers, motor homes, tent campers, etc.).

WARNING

CARBON MONOXIDE POISONING

- Do not use cooking appliance for space heating. It is a potential danger to occupants of vehicle and damage to operating components of the drop-in.
- A window or air vent should be open slightly while using any cooking appliance. Gas flames consume oxygen which must be replaced to assure proper combustion.

NOTE TO CONSUMER:

Have the installer or dealer show you where the main gas shut off valve is located so that you will know how and where to turn off the gas supply when necessary.

CONTENTS

| | |
|---------------------------------|-----|
| Safety Information | 1 |
| Installation | 1-2 |
| Operation | 2-3 |
| Cabinet & Counter Cut Out Chart | 2 |
| Storage | 3 |
| Maintenance | 3 |
| Warranty | 3 |
| Parts Identification | 4 |

INSTALLATION

Appliance intended for use inside or temporary use outside the recreation vehicle. Do not store appliance outdoors. Portable installations into enclosure not made from metal or wood must be approved by Atwood Mobile Products. Appliance for use only with recreation vehicle with which it is supplied. This unit is not designed to be installed adjacent to another top unit.

Installation must conform with local codes or in the absence of local codes, with the American National Standard for Recreational Vehicles, ANSI/A119.2 and Article 551, ANSI/NFPA 70. In Canada, installation must conform with CSA Z240.4.2-M.

WARNING

FIRE, EXPLOSION, BURN INJURY CARBON MONOXIDE POISONING

- The cooking appliance must be completely separated and/or sealed from other air moving or air consuming devices such as, but not limited to, furnaces, microwave ovens, clothes dryers, cooling fans and doors or drawers in common cabinets. Failure to do so will affect the appliance(s) combustion air supply by creating either a negative or positive draft.
- **NEGATIVE DRAFT** caused by air moving appliances may draw the top burner flame down into or toward the drop-in resulting in drop-in damage, burn hazard, explosion possibility and/or carbon monoxide buildup.
- **POSITIVE DRAFT** may blow out the top burner flame during use resulting in an explosion and/or fire hazard and/or injury to the occupants of the vehicle.
- Do not operate the appliance in excessive windy conditions as this may cause a negative or positive draft.

BURNER OPERATION



WARNING BURN INJURY, FIRE AND/OR EXPLOSION

- Do not heat unopened containers. They could explode. The hot contents may cause burns and container particles may cause injury.
- Do not use the drop-in for warming or heating the vehicle. You could be burned or injured, or a fire could start.
- Do not store flammable materials on, in, or near drop-in. Any fumes can create an explosion and/or fire hazard.
- Do not operate drop-in if it is damaged or not working properly.
- Know where your vehicle's main LP gas shutoff is located.
- Verify sufficient gas supply before attempting to light any top burner. Air in the gas supply line will significantly delay burner ignition, and a burner may light unexpectedly as the air in the line clears out and is replaced by LP gas; this unexpected ignition may burn you. Air may be introduced into the supply line when the vehicle gas bottle is replaced, during servicing of other gas appliances, etc.
- If any burner should extinguish (after initially lighting or due to accidental blow-out), turn all burner knobs clockwise \curvearrowright to OFF and WAIT FIVE (5) MINUTES before again attempting to light the burner.
- Do not touch top burners, burner grates, or areas near top burners during and after use. Do not let clothing or other flammable materials contact top burners or areas near top burners until they have sufficient time to cool.
- Pans must be large enough to contain food. Heavy splattering or spillovers left on the drop-in can ignite and burn you.
- Be sure that glass cooking utensils are safe for use on the drop-in. Only certain kinds of glass utensils are suitable for surface or top burner use without breaking due to sudden changes in temperature.
- Never leave top burners unattended. A boil over may result, causing smoke or grease spillovers that may ignite.
- Turn pan handles inward, but not over other top burners. This reduces the chance of burns due to bumping pan.
- Grease is flammable. Never allow grease to collect around top burners or on drop-in surface. Wipe spillovers immediately.
- Do not use water on grease fires. Never pick up a flaming pan. Smother a flaming pan with a tight-fitting lid or cookie sheet. Flaming grease outside of the pan can be extinguished with baking soda or a multipurpose dry chemical or foam-type fire extinguisher.
- Use care when lighting a top burner by hand. If the burner lights unexpectedly, or your hand is close to burner, you may be burned.
- Burner flame should not extend beyond the edge of the cooking utensil. The flame could burn you and cause poor cooking results.
- Control knobs must be turned OFF when not cooking. Someone could be burned or a fire may start if a burner is accidentally left ON.

- For proper operation of your cooking appliance:
THE CABINET MUST BE
 - properly constructed.
 - squared to the countertop and cabinet face
 THE OPENING IN CABINET MUST BE
 - level from side to side and front to rear
- The cabinet opening must be constructed so that no combustible material can be placed next to the drop-in sides. If there is a gap between the drop-in and an adjacent cabinet, the gap must be closed prior to installing the drop-in.

WARNING FIRE

- 19-1/2 inches is the *minimum vertical distance to combustible material* above the drop-in stove. This distance may be reduced by using non-combustible construction in accordance with Table 2-6.7.2 in ANSI A119.2.

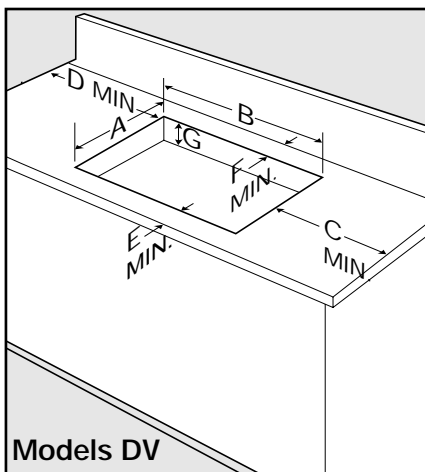
- Cabinet dimensions needed for each model are shown in **CABINET & COUNTER CUT OUT CHART**. The cabinet cut-out must be located with respect to the minimum clearances to combustible materials as noted. When planning the location consider curtains or other combustible materials installed around the drop-in.
- When the cabinet has been prepared according to the dimensions given and the gas line is in place, remove the drop-in from its packaging and position the drop-in in the opening.
- Verify that the drop-in is level from side to side and front to rear.
- Secure the burner box assembly in place with wood screws (not supplied).
- Make the gas connection. All openings in the cabinetry around the gas line must be closed at time of installation.
- Turn on the gas supply.

WARNING EXPLOSION OR FIRE

- Do not use matches, candles or other sources of ignition to test fittings and gas lines for leaks.

- Check all connections for gas leaks using a non-corrosive leak detection fluid. Do not use a soap and water solution. Leak test in excess of 13.9" W.C. (1/2 psi) of air pressure will invalidate warranty.
- Remove the drop-in top and burner grates from packaging. To install grates, squeeze opposite sides of the grate together and insert the legs into the holes in the stove top from above the stove top.
- REPLACE THE DROP-IN TOP**
Position the drop-in top in place; install the attachment screws and protective nylon washers (supplied) through the drop-in top. Tighten securely. Slide the knobs over the valve stems to complete the installation. Your drop-in is now ready for operation.

- Check that gas is on at shutoff valve.
- LIGHTING Top Burners:**
 - All burner controls operate counter-clockwise \curvearrowleft and must be pressed inward (toward the drop-in) to turn ON or LITE. Do not attempt to light more than one burner at a time.
 - IMMEDIATELY** light the burner by holding a lit match or a hand-held spark igniter designed for this purpose near the burner ports.
 - To extinguish the top burner flame, turn the appropriate burner knob clockwise \curvearrowright to OFF.



CABINET & COUNTER CUT OUT CHART

| CUT OUT DIMENSIONS in inches | A | B | C | D | E |
|------------------------------|---------|-----------|---------|----------|---------|
| DV Models - 2 Burners | 11-1/2 | 16-1/4 | 3-3/8 ♦ | 2-5/8 ♦ | 1-1/2 ♦ |
| DV Models - 3 Burners | 15 | 19 | 2 ♦ | 3-1/16 ♦ | 3 ♦ |
| | F | G | | | |
| DV Models - 2 Burners | 3-3/4 ♦ | 2-13/16 ▶ | | | |
| DV Models - 3 Burners | 4-1/2 ♦ | 2-13/16 ▶ | | | |

♦ Minimum dimension ▶ Overall depth of drop-in



CAUTION
PRODUCT DAMAGE HAZARD

- Do not use oversized cookware. The maximum pan size is a 10-inch skillet. Oversized cookware will cause excessive heat build-up in the drop-in top and will result in damage to the burner grate, burner and drop-in.
- Do not use a broiler pan, griddle, or any other large utensil which covers more than one (1) top burner at a time. This will create excessive heat which may cause melting, sooting or discoloration damage to the burner grates, drop-in top, or utensils.
- Do not leave an empty utensil, or one which has boiled dry, on a hot top burner. The utensil could overheat and damage the utensil or the cooking appliance.

STORAGE

Dry all surfaces and burner box, then spray surfaces with PAM or oil base substance to preserve the surface from rusting during storage. Before using, clean oil off surface of appliance.

MAINTENANCE

The owner's cooking habits and cleanliness will affect the operation of the drop-in. Proper installation and care will help keep your drop-in looking and operating like new. Most cleaning can be performed using normal household items.



WARNING
BURN INJURY, FIRE AND/OR EXPLOSION

- All controls must be OFF, the drop-in cool before cleaning.
- All drop-in surfaces, burner grates and burners must be cool before cleaning or disassembling drop-in.
- Do not use oven cleaners, bleach, or rust removers on the drop-in or burner grates.
- Do not obstruct the flow of combustion and ventilation air.
- Keep appliance area clear of combustible materials, gasoline and other flammable vapors and liquids.



CAUTION
PRODUCT DAMAGE HAZARD

- Clean all surfaces quickly after boil overs or spillovers.
- Use warm soapy water only to clean the burner grates, drop-ins, painted surfaces, porcelain surfaces, stainless steel surfaces and plastic items on your drop-in. Do not use grit or acid-type cleaners.
- Do not use steel wool or abrasive cleaners, they will damage your drop-in. Use only non-abrasive plastic scrubbing pads.



CAUTION
PRODUCT DAMAGE HAZARD

- Do not allow foods containing acids (such as lemon or tomato juice, or vinegar) to remain on porcelain or painted surfaces. Acids may remove the glossy finish. Wipe up egg spills when drop-in is cool.
- Do not wash warm porcelain surfaces. Allow porcelain to cool before cleaning. You may burn yourself, or porcelain may crack.
- Pitting and discoloration will result if spills are allowed to remain for any length of time on stainless steel.
- Do not allow spillovers to remain on burner caps. Caps could be permanently stained if spillovers are not cleaned up promptly.

DROP-IN COOKTOPS:

1. To remove the drop-in top:
 - a. Remove the two (2) side screws and washers from the drop-in.
 - b. Pull the knobs straight up, removing them from the valve stems, before removing the top.
 - c. Lift the drop-in clear of the burner box. Replacement is a reversal of this procedure.
2. To remove the burner grates:
 - a. Squeeze opposite sides of the grate together and lift free of the drop-in top.
 - b. Replacement is a reversal of the above procedure.

ALL DROP-IN'S

If any of the burner ports or the orifices are clogged, carefully clean with a toothpick. Never use a wire brush or metallic item for cleaning burner ports or orifices. Never use any brush which may "shed" bristles, which may become lodged in the orifice or burner ports and cause a fire or explosion.

COOKING APPLIANCE LIMITED WARRANTY

Atwood Mobile Products warrants to the original consumer purchaser and subject to the below mentioned conditions, that this product will be free of defects in material or workmanship for a period of two years from the original date of purchase. Atwood's liability hereunder is limited to the replacement of the product, repair of the product, or replacement of the product with a reconditioned product at the discretion of Atwood Mobile Products. This warranty is void if the product has been damaged by accident, unreasonable use, neglect, tampering or other causes not arising from defects in material workmanship. This warranty extends to the original owner of the product only and is subject to the following conditions:

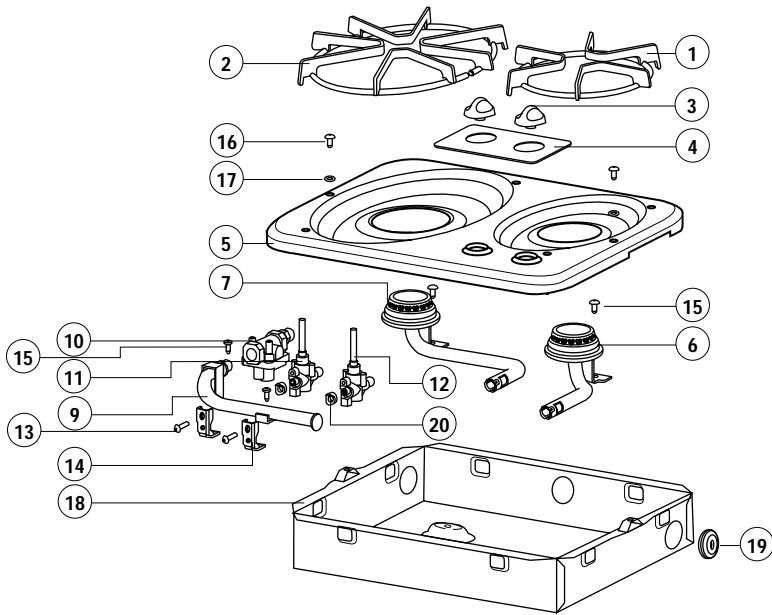
1. For two years from the date of the original purchase Atwood warrants that this product will be free of defects in material and workmanship with the exceptions noted below. This warranty includes reasonable labor charges required to remove and replace the part. Service calls to the customer's location are not considered part of these charges and are therefore the responsibility of the owner.
2. This warranty does not cover the following items classified as normal maintenance and/or customer damage.
 - a. Damage, discoloration or scratches to porcelain enamel or other finishes from improper use and care.
 - b. adjustment of gas pressure
 - c. cleaning or adjustment of any burners
 - d. cleaning or replacement of burner orifices
 - e. cleaning or adjustment of pilot and thermocouple
 - f. damage to glass
 - g. products purchased for commercial or industrial use.
3. In the event of warranty claim the owner must contact in advance either an authorized Atwood Service Station or the Atwood Service Department. Warranty claim service must be performed at an authorized Atwood Service Station (a list will be provided at no charge) or as approved by the Atwood Service Department Atwood Mobile Products, 4750 Hiawatha Drive Rockford, IL 61103-12998 USA. Phone 815-877-5700.
4. Return parts must be shipped to Atwood Mobile Products "prepaid". Credit for shipping costs will be included with the warranty claim. The defective parts become the property of Atwood Mobile Products and must be returned to the Consumer Service Department, Atwood Mobile Products, Greenbrier Operations, 6320 Kelly Willis Road, Greenbrier, TN 37073 USA.
5. This warranty applies only if the unit is installed according to the installation instructions provided and complies with local and state codes.
6. The warranty on replacement parts is the unused portion of the original warranty period.
7. Damage or failure resulting from misuse (including failure to seek proper repair service) misapplication, alterations, water damage or freezing are owner's responsibility.
8. Atwood does not assume responsibility for any loss of use of vehicle, loss of time, inconvenience, expense for gasoline, telephone, travel, lodging, loss or damage to personal property or revenues. Some States do not allow the exclusion or limitation of incidental or consequential damages, so the above limitations or exclusions may not apply to you.
9. Any implied warranties are limited to two (2) years. Some States do not allow limitations on how long an implied warranty lasts, so the above limitation may not apply to you. This warranty gives you specific legal rights and you may also have other rights, which may vary, from State to State.
10. Replacement parts purchased outside the original cooking warranty carry a 90 day warranty. This includes the part at no charge and reasonable labor charges to replace it.

This Atwood product is designed for use in recreation vehicles for the purpose as stated in the 'data plate'. Any other use, unless authorized in writing by the Atwood Engineering Department, voids the warranty.

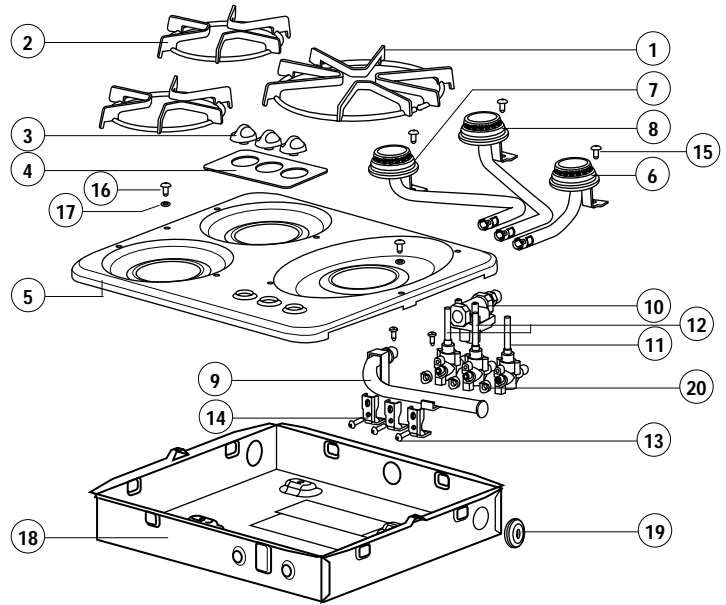
Atwood/Wedgewood Vision Products include range/oven, drop-in, slide-in and high pressure stoves.

9/02

DV 20



DV 30



| ITEM | DESCRIPTION | DV20 | DV30 | ITEM | DESCRIPTION | DV20 | DV30 |
|------|---|----------------|-----------|------|--|-----------|-----------|
| 1 | Round Grate / Grille ronde | 56378 | 56378 (1) | 11 | Valve 7200 Btu/h / Vanne 7200 Btu/h | 56468 | 56468 |
| 2 | Oval Grate / Grille ovale | 56379 | 56379 | 12 | Valve 5200 Btu/h / Vanne 5200 Btu/h | 56469 | 56469 (2) |
| 3 | Burner Knob / Bouton du brûleur | 56380 (2) | 56380 (3) | 13 | Screw-Valve / Ecrou de vanne | 56480 (2) | 56480 (3) |
| 4 | Label / Plaque d'indication | 56388 | 56491 | 14 | Valve Bracket/Dispositif de fixation de la vanne | 56479 (2) | 56479 (3) |
| 5 | Top / Plaque supérieure | ORDER BY COLOR | | 15 | Screw-Burner/Mnfd/Vis du brûleur/distributeur | 51325 (4) | 51325 (5) |
| 6 | Right Burner / Brûleur droit | 56385 | 56483 | 16 | Screw-Top/Vis de fixation de la plaque | 56377 (2) | 56377 (2) |
| 7 | Left Front Burner/Brûleur avant gauche | 56384 | 56482 | 17 | Nylon Washer/Rondelle de nylon | 52434 (2) | 52434 (2) |
| 8 | Left Rear Burner/Brûleur arrière gauche | NA | 56481 | 18 | Burner Box/Boîtier pour brûleurs | 56498 | 56476 |
| 9 | Manifold Pipe / Tuyau de distribution | 56383 | 56478 | 19 | Inlet Pipe Grommet/Œillet du tuyau d'admission | 92610 | 92610 |
| 10 | Regulator / Régulateur | 51062 | 51062 | 20 | Gasket, Valve/Joint de la vanne | 56366 (2) | 56366 (3) |

Drop-In Covers

Lift-Up Drop-in Cover

Add valuable counter space with the addition of the attractive Wedgewood Vision Drop-In Cover. When in the down position, it completely covers the Drop-In and provides a stable surface as it rests on the countertop itself. When in the up position with the windguards extended (as in the photograph at right), it provides a shield against splatters to the sides and back. Available for two- and three-burner units in black, white or stainless steel. The cover comes completely assembled with mounting screws.



▼ COPY ORDER FORM AND MAIL IN WITH PAYMENT ▼

Please send me this Drop-In Cover.

Mail in orders only. No C.O.D.s or charge card orders

| Qty. | Description | Price | Sub Total |
|------|--|---------|-----------|
| | Lift-Up Drop-In Cooktop Cover | | |
| | <input type="checkbox"/> 2-burner black w/windguards | \$44.95 | |
| | <input type="checkbox"/> white w/windguards | \$44.95 | |
| | <input type="checkbox"/> stainless w/windguards | \$49.95 | |
| | <input type="checkbox"/> 3-burner black w/windguards | \$49.95 | |
| | <input type="checkbox"/> white w/windguards | \$49.95 | |
| | <input type="checkbox"/> stainless w/windguards | \$54.95 | |
| | Prepaid UPS Charges <u>per item</u> | \$4.50 | |
| | TOTAL | | |

WEDGEWOOD MODEL # _____

NAME _____

ADDRESS _____

CITY _____

ST _____

ZIP _____

Offer void outside the United States.
Tennessee residents add 8.25% sales tax.
Enclose check or money order in U.S. dollars.
Allow 4-6 weeks for delivery.



Atwood Mobile Products
6320 Kelly Wills Road
Greenbrier, TN 37073

PHONE: 615-643-4556 FAX: 615-643-4616
INTERNET: <http://www.atwoodmobile.com>

A twood Extended Service Contract Provides These Extras!

for



ATWOOD WATER HEATER
inner tank



HYDRO FLAME FURNACE
combustion chamber



ATWOOD/WEDGEWOOD RANGE
gas valves & manifold

extends coverage to full five years

one price covers parts and labor

in-shop service
(read complete information on form below)



**Also available...
Service Related Travel**

Includes mileage travel expense by authorized service center

Up to 200 miles total of service travel

One full year of coverage

PLEASE USE ORDER FORM BELOW TO BEGIN EXTENDED SERVICE CONTRACT OF YOUR PRODUCT(S).

ATWOOD EXTENDED SERVICE CONTRACTS



\$45



Water Heater Tank—An extended service contract is available covering the parts and labor for replacement of the **inner tank** in the event the water heater tank develops leaks due to corrosion. This extends the original (2) two year warranty an additional (3) three years for a total of (5) five years to the original owner from the original date of purchase of the water heater or vehicle.



\$25



Furnace Combustion Chamber—An extended service contract is available covering the parts and labor for the replacement of the **combustion chamber** in the furnace in the event the combustion chamber were to prematurely fail due to defects in material or workmanship. This extends the original (2) two year warranty an additional (3) three years for a total of (5) five years to the original owner from the date of purchase of the furnace or vehicle.



\$15



Range Gas Valves and Manifold—An extended service contract is available covering the parts and labor for the replacement of **range burner valves and manifold** in the event of premature failure due to defects in material and workmanship. This extends the original (2) two year warranty an additional (3) three years for a total of (5) five years to the original owner from the original date of purchase of the range or vehicle.

All 3

\$75



Save \$10.00 by selecting all three Extended Service Contracts.

SERVICE RELATED TRAVEL MILEAGE—\$20.00 (See Explanation)



\$20



Mileage Travel Expense—Mileage travel expense is not covered by the Limited Warranty issued with each product. If it is anticipated that it may be inconvenient to transport your vehicle or Atwood product to obtain service you may choose to purchase this Service Mileage option. This will pay up to 200 miles of service travel at 20 cents per mile to an authorized Atwood Service Center whose service personnel travels to your location to perform in-warranty service work on your Atwood product. This is for (1) one year from the original date of purchase of the vehicle or Atwood water heater, furnace or range.

To qualify for any of these options, they must be purchased within 90 days of the vehicle or product purchase. Prices listed are in US DOLLARS—please make check amount accordingly. Upon receipt of this completed card together with your check or money order, Atwood will send you a written confirmation of the options you selected.

EXTENDED SERVICE ORDER FORM

Today's Date _____

Date of Purchase _____

Name _____

Address _____

City _____ ST ____ ZIP _____

Phone _____

Your RV Manufacturer's Brand Name _____

Your Dealer's Company Name _____

CONTRACT DESIRED

| | Model No. | Serial No. | |
|--------------------------|-----------|------------|----------------------------------|
| ATWOOD Water Heater Tank | _____ | _____ | \$45.00 <input type="checkbox"/> |
| HYDRO FLAME Furnace | _____ | _____ | \$25.00 <input type="checkbox"/> |
| ATWOOD/WEDGEWOOD Range | _____ | _____ | \$15.00 <input type="checkbox"/> |

Save \$10—Select All Three from above

MILEAGE TRAVEL EXPENSE \$20.00



Atwood Mobile Products
4750 Hiawatha Drive
Rockford, IL 61103