



**Suburban**  
Manufacturing Company

a subsidiary of AIRXCEL, Inc.

SUBURBAN MANUFACTURING COMPANY  
Post Office Box 399  
Dayton, Tennessee 37321



## DYNATRAIL INSTALLATION INSTRUCTIONS FOR MODEL P-30S



The design of this furnace has been certified for installation in recreational vehicles only. In order for the furnace to operate in conformity with generally accepted safety regulations, the installation instructions must be followed. Failure to comply with the installation instructions will void the warranty on the furnace and any responsibility on the part of Suburban Manufacturing Company.

The furnace was inspected before it left the factory. If any parts are found to be damaged, do not install the furnace. Immediately contact the transportation company and file a claim.

**WARNING! Improper installation, adjustment, alteration, service or maintenance can cause property damage, personal injury or loss of life. Refer to the installation instructions and/or owners manual provided with this appliance. Installation and service must be performed by a qualified installer, service agency or the gas supplier.**

### INSTALLATION INSTRUCTIONS

**WARNING! Installation of this appliance must be made in accordance with the written instructions provided in this manual. No agent, representative or employee of Suburban or other person has the authority to change, modify or waive any provision of the instructions contained in this manual.**

**CAUTION:** If possible, do not install the furnace to where the vent can be covered or obstructed when any door on the trailer is opened. If this is not possible, then the travel of the door must be restricted in order to provide a 6" minimum clearance between the furnace vent and any door whenever the door is open.

**NOTE:** The exhaust temperature of this furnace could discolor or warp some materials. You should verify that the material used on the coach door, panel, or cover will not discolor or warp from the exhaust temperature whenever any door, panel, or cover is in the open position.

**CAUTION:** Due to the differences in vinyl siding, this appliance should not be installed on vinyl siding without first consulting with the manufacturer of the siding or cutting the siding away from the area around the appliance vent.

**CAUTION:** In any installation in which the vent of this appliance can be covered due to the construction of the RV or some special feature of the RV such as slide out, pop-up, etc. always insure that the appliance cannot be operated by setting the thermostat to the positive "OFF" position and shutting off all electrical and gas supply to the appliance. Never operate furnace with vent covered.

**NOTE:** This furnace must be installed and vented as described in this manual so that the negative pressure created by the air circulating (return air) fan cannot affect the combustion air intake or venting of any other appliance. It is imperative that the products of combustion be properly vented to the atmosphere and that all combustion air supplied to burner be drawn from the outside atmosphere. (See 'Installing Vent Assembly'.)

**IMPORTANT:** If this furnace is to be connected to a common duct system also serving a cooling unit, a manual or automatic damper is required to prevent any cold conditioned air from circulating back into the furnace. Cold air passing over the furnace combustion chamber during the operation of the cooling unit can result in the formation of condensation inside the furnace combustion chamber. This condensation may promote corrosion and premature failure of the combustion chamber.

**NOTE:** These furnaces shall be installed so the electrical components are protected from water.

This furnace is design certified for Propane/LP gas only. Do not attempt to convert to natural gas.

Gas supply pressure for purposes of input adjustment:  
minimum - 11" W.C. ; maximum - 13" W.C. \* (W.C. \* - water column).

In the U.S.A., the installation of the furnace must be in accordance with local codes and regulations. In the absence of local codes and regulations, installation must comply with the latest edition of:

1. Standard for Recreational Vehicles ANSI A-119.2/NFPA 501C.
2. National Fuel Gas Code ANSI Z223.1.
3. Furnace must be electrically grounded in accordance with the latest edition of the National Electrical Code ANSI/NFPA No. 70.

This unit is equipped with an electric igniter device that has an energy consumption of .1 amp @24 volts A.C.

In Canada, the furnace must be installed in accordance with:

1. Standard CAN/CSA Z240 Recreational Vehicles.
2. CSA Standard CAN/CSA Z240.6.2-M86 Electrical Requirements for Recreational Vehicles.
3. Standard CAN/CSA-Z240.4.2-M86 Installation Requirements for Propane Appliances and Equipment in Recreational Vehicles.
4. CAN/CGA B149 Installation Codes.
5. Any applicable local codes and regulations.

#### RETURN AIR

There are three methods described below for installing the furnace. Regardless of the method you choose, we require that a permanent opening be provided in the interior cabinetry of the coach directly in front of the furnace. The opening must allow for free, unobstructed removal of the furnace. This opening may be used as a means of providing circulating return air to the furnace. Other openings may be used as well. The minimum return air to the furnace must total 55 square inches free area. It is important that adequate return air be provided to assure normal heating and operation of the furnace. Failure to provide the minimum return air will cause erratic furnace cycling.

#### A. INSTALLATION DIRECTLY AGAINST OUTER SKIN OF COACH (See Figure 1)

Maximum wall thickness for this type installation is 3".

1. Locate the furnace near lengthwise center of the coach. Do not install the furnace with the vent facing toward the forward end of the coach.
2. Choose a location for installation out of the way of wires, pipes, etc. which might interfere with the installation. Adhere to the minimum clearances from the cabinet to combustible constructions listed in Table 1.

**NOTE:** Side and top clearances may be 0" for through the wall installations up to a maximum wall thickness of 3". (See Figure 1.)

3. When an appliance is installed directly on carpeting, tile or other combustible material, other than wood flooring, the appliance shall be installed on a metal or wood panel extending the full width and depth of the appliance. If preferred, the carpeting, tile or combustible materials, other than wood may be cut away the full length and depth of the appliance plus the appliance minimum clearances to combustibles. (See Table 1.)
4. Cut an opening through the inner wall 12-7/16 x 13". This will allow the rear of the furnace to be installed against the outer skin of the coach. (See Figure 1.)
5. Cut two 2-1/4" diameter holes through the outer skin of coach as shown in Figure 1.
6. Put furnace in place, making sure that rear of furnace cabinet is as close to outer skin of coach as possible and still assure proper vent tube overlap. (See Installing Vent Assembly).
7. Fasten furnace to floor of coach using the two holes provided in the front plenum area of furnace cabinet. (See Figure 1.)
8. Install vent assembly. (See instructions for installing vent.)

**B. INSTALLATION DIRECTLY AGAINST INNER WALL OF COACH**  
(See Figure 2)

**Maximum wall thickness for this type installation is 2-1/4".**

1. Locate the furnace near lengthwise center of the coach. Do not install the furnace with the vent facing toward the forward end of the coach.
2. Choose a location for installation out of the way of wires, pipes, etc. which might interfere with the installation. Adhere to the minimum clearances from the cabinet to combustible construction as listed in Table 1. Refer to Figure 3 for illustration of furnace clearances.
3. When an appliance is installed directly on carpeting, tile or other combustible material, other than wood flooring, the appliance shall be installed on a metal or wood panel extending the full width and depth of the appliance. If preferred, the carpeting, tile or combustible materials, other than wood may be cut away the full length and depth of the appliance plus the appliance minimum clearances to combustibles. (See Table 1.)
4. Locate center lines for exhaust and intake tubes as shown in Figure 1. Cut two 2-3/4" diameter holes through coach wall for exhaust and intake. (See Figure 2.)
5. Put furnace in place, making sure that rear of furnace cabinet is as close to inner wall of coach as possible and still assure proper vent tube overlap. (See Installing Vent Assembly).
6. Fasten furnace to floor of coach using the two holes provided in front plenum area of furnace cabinet. (See Figure 1.)
7. Install vent assembly. (See instructions for installing vent.)

**C. INSTALLATION USING VENT EXTENSION TUBES**

When it is not possible to install the furnace as described in installations A or B, extension tubes must be used to connect the exhaust and intake tube to the vent assembly on the outside of the coach.

Avoid the use of extension tubes whenever possible. If they must be used, it is important that the correct length tubes are used.

In order to determine the correct extension tube kit, you must determine the range in which the extension falls. To do this, position the furnace in its permanent location and measure the distance from the end of the exhaust and intake tube to the outer edge of the coach skin. This determines the extension tube range you need. Figure 4 lists by kit number the vent extension range up to 9". Example: if the distance you measured is 2-7/8", using Figure 4 as your guide, you will order Kit #520498, which accommodates a range from 2-1/4" to 3-1/8". The extension tube kit comes with complete installation instructions.

**WARNING! Under no circumstances are the extension tubes, as supplied by Suburban, to be cut, altered, or modified in any way. To do so could be dangerous and will void the responsibility of Suburban Manufacturing Company.**

Model	Left Front	Right Side	Right Side	Top	Bottom	Back	Exhaust and Intake Tube
P-30S	0"	1"	1"	0"	0"	0"	3/8"

**- NOTE -**  
**0" MEANS TO SPACER BUMPS**  
**CLEARANCE FROM DUCTS TO**  
**COMBUSTIBLE MATERIAL - 1" (See Figure 3)**

**TABLE 1**

**INSTALLING VENT ASSEMBLY**

The vent outlet must be installed so it is in the same atmospheric pressure zone as the combustion air intake. The exhaust and intake tubes must be installed from the outside, pass through the RV skin and slide onto the furnace exhaust and intake.

**WARNING! Do not alter the vent assembly supplied with this furnace. Any modifications will result in improper installation which could cause unsafe furnace operation.**

**CAUTION! Combustion air must not be drawn from the living area. All air for combustion must be drawn from the outside atmosphere. All exhaust gases must be vented to the outside atmosphere - never inside the RV. Therefore, it is essential to insure that the vent cap and tube assemblies are properly installed.**

1. Apply caulking to RV skin behind vent cap as shown in Figure 2. Apply caulking generously around perimeter of vent cap and across center as shown.
2. Insert intake tube through RV skin and slide it onto the furnace intake. (See Figure 2.) Minimum tube overlap of 1/2" is required.
3. Insert vent cap exhaust tube through RV skin and slide it onto the furnace exhaust. (See Figure 2.) Minimum tube overlap of 1 1/4" is required.
4. Attach vent cap assembly to outer skin of RV with the six (6) screws provided. Do not install vent assembly upside down. The words "Suburban" and "Dayton, Tenn." must be right side up.

5. Attach the vent assembly to the furnace using the special 3 1/2" screw provided. Insert screw through hole provided in exhaust opening of vent assembly and secure to bracket in exhaust tube of furnace. This anchors the furnace to the vent assembly and the outer skin of the RV. (See Figure 2.)

**CONNECTING GAS SUPPLY**

Connect the gas supply to the furnace at the manifold. A suggested method is illustrated in Figure 1. Other methods are acceptable if they allow for the gas to be shut off at the furnace for furnace removal while allowing other appliances to remain operational. It will be necessary to hold the flare fitting on the furnace manifold when connecting or loosening gas line.

**NOTE:** The compound used on threaded joints must be resistant to liquefied petroleum (LP) gas.

**NOTE:** The appliance and its individual shut-off valve must be disconnected from the gas supply piping system during any pressure testing of that system at test pressure in excess of 1/2 PSIG.

The appliance must be isolated from the gas supply piping by closing its individual manual shut-off valve during any pressure testing of the gas supply piping system at test pressure equal to, or less than, 1/2 PSIG.

1. Be sure that the manual shut-off valve is outside of the furnace jacket and easily accessible. (See Figure 1.)
2. To assure an airtight seal, be sure the gasket provided with the furnace is installed as illustrated in Figure 1. If this gasket is omitted, it could result in overheating of component parts within the furnace.
3. A drip leg should be installed upstream of the manual shut-off valve exterior to unit casing.
4. In order to maintain a check on gas supplied pressure to the furnace, a 1/8" NPT plug tap must be installed and accessible for test gauge connection immediately upstream of the gas supply connection to the furnace.
5. After the furnace has been connected to the gas supply, all joints must be checked for leaks.

**WARNING! Never check for leaks with an open flame. Turn on the gas and apply soapy water to all joints to see if bubbles are formed.**

**CONNECTING ELECTRICAL SUPPLY**

This furnace is wired for 120 volts A.C. only. Connect the 120 volts A.C. power supply to the 120 Volt A.C. wire leads in the junction box located on the right side of the furnace cabinet.

All wiring and wire connections must conform to local codes and the National Electrical Code ANSI/NFPA No. 70-1987.

**CONNECTING DUCTS TO FURNACE**

The following duct requirements must be followed in order to assure proper operation of the furnace.

1. Maintain a minimum of 48 square inches open duct area throughout entire duct system including through register. (Minimum 4 ducts 4" diameter.) Applicable to under floor ducting as well. **NOTE:** Ducts terminating in a dead air space (like holding tank compartments) with no means for return air recirculation should not be counted in the required duct area. Also, ducts 2" in diameter or smaller should not be counted in the required duct area.
2. Make the duct connections at the furnace cabinet tight. Loose connections will result in overheating of the component parts on the furnace and a reduction of the heated air flow through the duct system.
3. Avoid making any sharp turns in the duct system. Sharp turns will increase the static pressure in the plenum area and could cause the furnace to cycle.
4. Avoid making a lot of turns in the duct system. The straighter the duct system, the better the performance of the furnace.
5. Maintain a minimum of 1" clearance where ducts pass through any combustible construction; such as, coach cabinetry. (See Figure 3.) **NOTE:** UL listed duct materials can be "0" clearance.
6. Do not install air boosters in the duct system. Such devices will cause the furnace to cycle on limit and cause erratic sail switch operation.

**NOTE:** After installation of the furnace and duct system is completed, adjustments must be made to obtain a temperature rise within the range specified on the Rating Plate.

**INSTALLING THERMOSTAT**

Locate the room thermostat approximately 4-1/2 feet above the floor on an inside bulkhead where it is not affected by heat from any source except room air. Connect thermostat wiring to the white wires on right side of furnace marked "Thermostat Wires". (See wiring diagram.)

**PREVENTIVE MAINTENANCE**

**WARNING! If the user of this appliance fails to maintain it in the condition in which it was shipped from the factory or if the appliance is not used solely for its intended purpose or if appliance is not maintained in accordance with the instructions in this manual, then the risk of a fire and/or the production of carbon monoxide exists which can cause personal injury, property damage or loss of life.**

**CAUTION:** Label all wires prior to disconnection when servicing controls. Wiring error can cause improper and dangerous furnace operation.

**Always verify proper operation of furnace after servicing.**

Your furnace should be inspected by a qualified service agency yearly before turning the furnace on. Particular attention should be given to the following items:

1. Inspect furnace installation and vent termination to be sure furnace is properly secured in place. (See Installation Instructions), that vent terminates to the atmosphere, and that vent tubes overlap properly. (See Installing Vent Assembly).

2. Inspect chamber and venting to assure that these components are physically sound, without holes or excessive corrosion and that the installation and/or reinstallation is in accordance with Suburban's installation instructions. (Reference installation manual supplied with furnace.

**WARNING! It is imperative that the products of combustion be properly vented to atmosphere and that all combustion air supplied to burner be drawn from outside atmosphere.**

3. Check the base on which furnace is mounted. Be sure it is physically sound, void of any sagging, deterioration, etc
4. Inspect furnace, the venting, ducting and gas piping to furnace for obvious signs of deterioration. Correct any defects at once.
5. Inspect combustion chamber for restrictions in exhaust or intake. It is imperative that the flow of intake combustion air and the flow of exhaust gases being expelled to the outside atmosphere not be obstructed. Any soot or loose debris should be blown out using compressed air. (See Figure 9)
6. Inspect all gaskets. If any gaskets show signs of leakage or deterioration, replace them. Safe operation of the furnace depends on all gaskets being tight.
7. Inspect return air inlet openings to the furnace. Remove any restrictions to assure adequate air flow.

You, as the owner/user, should inspect the furnace monthly during the heating season for presence of soot on vent. Operating the furnace under this condition could lead to serious property damage, personal injury or loss of life. If soot is observed on the vent, immediately shut the furnace down and contact a qualified service agency.

Listed below are several safety related items that you should follow during the heating season to assure continued safe operation of the furnace.

1. Inspect furnace venting. Venting must be free of obstructions, void of soot, and properly terminated to the atmosphere. (See Installing Vent Assembly.)

**WARNING! Do not install screens over the vent for any reason. Screens will become restricted and cause unsafe furnace operation. Accessories are being marketed for RV products which we do not recommend. For your safety, only factory authorized parts are to be used on your furnace.**

2. Periodically inspect the vent for obstructions or presence of soot. Soot is formed whenever combustion is incomplete. This is your visual warning that the furnace is operating in an unsafe manner. If soot is present, immediately shut furnace down and contact your dealer or a qualified service person.
3. Periodically observe the main burner flame to assure it is burning with a hard blue flame with well defined burner ports. (See Figure 8). If flame appears yellow or burner has a lazy flame, shut furnace down. It is possible that burner needs cleaning or replaced. To inspect the main burner, remove the four (4) screws (A, B, C and D) securing the burner access door to the combustion chamber (See Figure 7). If excessive rust and corrosion are present on burner surface, the burner must be thoroughly cleaned or replaced. The burner may be cleaned using a steel wire brush and blown clean using high compression air. Contact a qualified service person for assistance.

NOTE: To observe flame, cabinet front must be removed. Operation of burner can then be observed through the viewing window on front of chamber (See Figure 7).

4. Keep furnace clean. More frequent cleaning may be required due to excessive lint from carpeting, bedding material, etc. It is imperative that control compartments, burners and circulating air passageways of the appliance be kept clean.

5. The motor is permanently lubricated and requires no oiling.
6. Keep the furnace area clear of any combustible materials, gasoline or other flammable vapor and liquids.
7. Before operating furnace, check the location of the furnace vent to make sure it will not be blocked by the opening of any door on the trailer. If it can be blocked, do not operate the furnace with the door open.
8. Do not restrict the flow of combustion air or the warm air circulation to the furnace. To do so could cause personal injury and/or death.
9. Never operate the furnace if you smell gas. Do not assume that the smell of gas in your RV is normal. Any time you detect the odor of gas, it is to be considered life threatening and corrected immediately. Extinguish any open flames including cigarettes and evacuate all persons from the vehicle. Shut off gas supply at LP gas bottle. (See safety notice on front cover of this manual.)
10. Immediately shut furnace down and call a service agency if furnace cycles erratically or delays on ignition

**WARNING! Should overheating occur, or the gas supply fail to shut off, shut off the manual gas valve to the appliance before shutting off the electrical supply.**

11. Never attempt to repair damaged parts. Always have them replaced by a qualified service agency.
12. Never attempt to repair the furnace yourself. Seek the help of a qualified service person.
13. Never restrict the ducting installed by your trailer manufacturer. To do so could cause improper furnace operation.
14. Do not install air boosters in the duct system. Such devices will cause the furnace to cycle on limit and to have erratic sail switch operation.
15. Clothing or other flammable material should not be placed on or near the appliance.
16. Always follow the operating instructions. Do not deviate from the step-by-step procedures.
17. Do not use this appliance if any part has been submerged under water. Immediately call a qualified service technician to inspect the appliance and to replace any part of the control system and any gas control that has been submerged under water.
18. When considering add-on rooms, porch or patio, attention must be given to the venting of your furnace. For your safety, do not terminate furnace vent inside add-on rooms, screen porch or onto patios. Doing so will result in products of combustion being vented in to the room or occupied areas.
19. In any installation in which the vent of this appliance can be covered due to the construction of the RV or some special feature of the RV such as slide out, pop-up etc, always insure that the appliance cannot be operated by setting the thermostat to the positive "OFF" position and shutting off all electrical and gas supply to the appliance. Never operate furnace with vent covered.

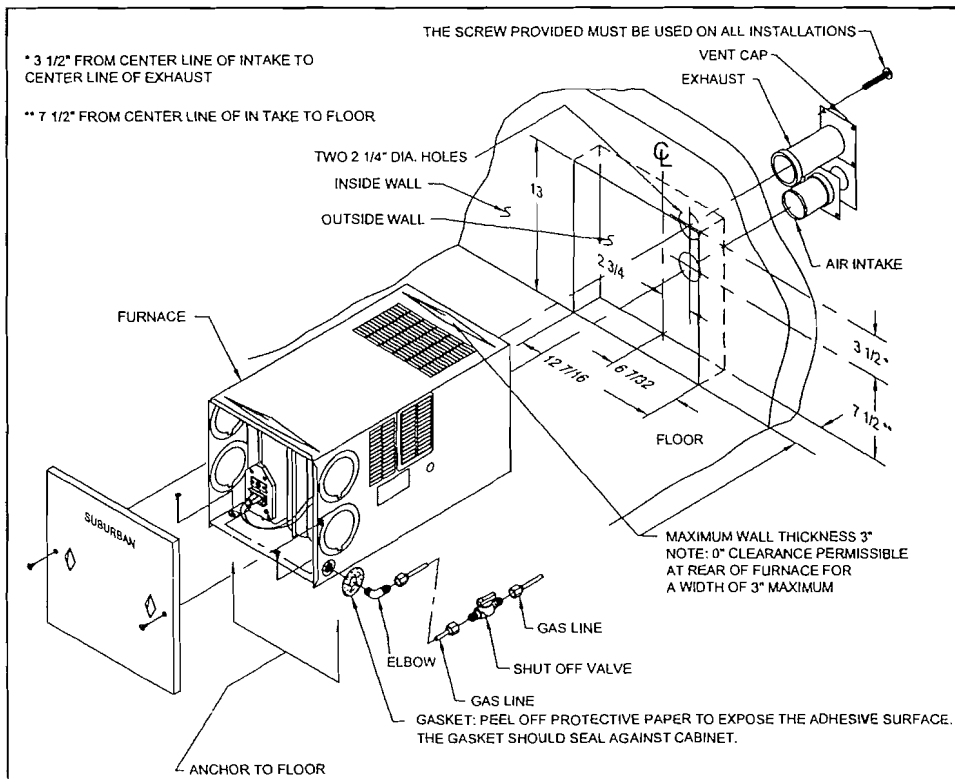


Figure 1

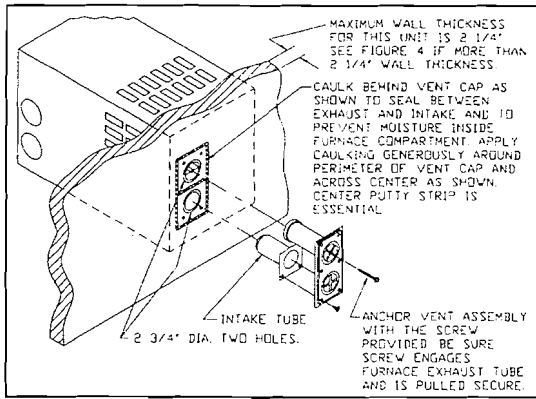


Figure 2

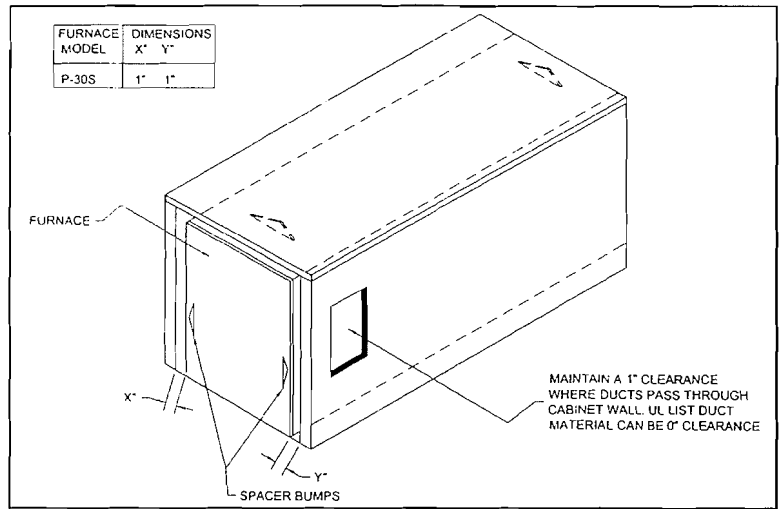


Figure 3

EXTENSION TUBE KIT NUMBER	MIN./MAX. LENGTH (Extension Tube Range)
520498	2 1/4" to 3 1/8"
520499	3 1/8" to 4 7/8"
520500	4 7/8" to 7"
520501	7" to 9"

Figure 4

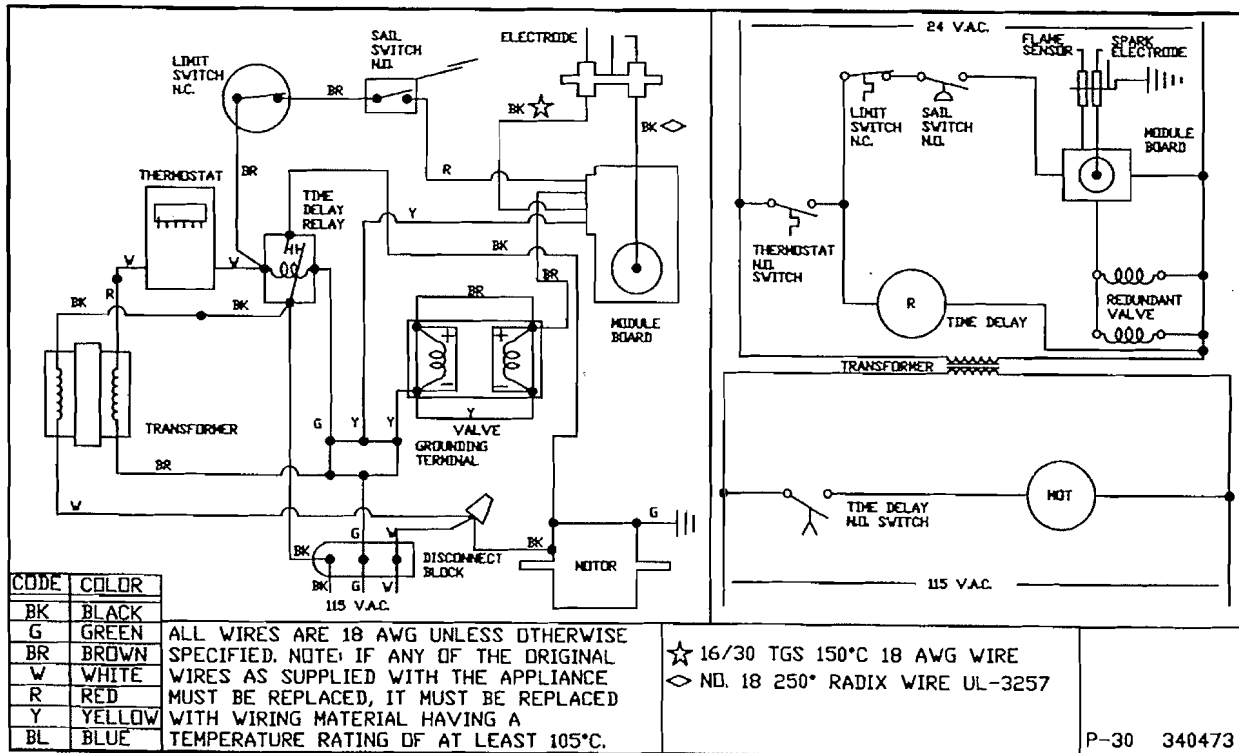


Figure 5

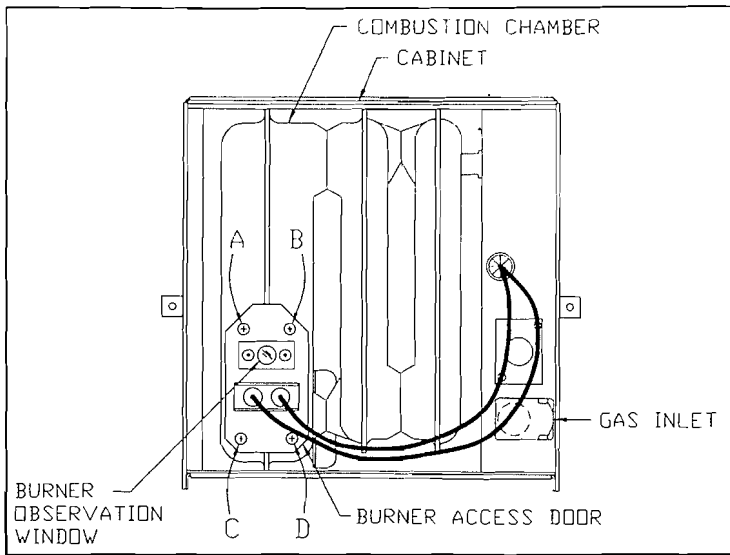


Figure 7

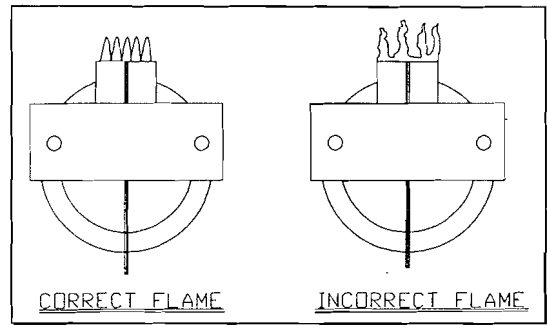


Figure 8

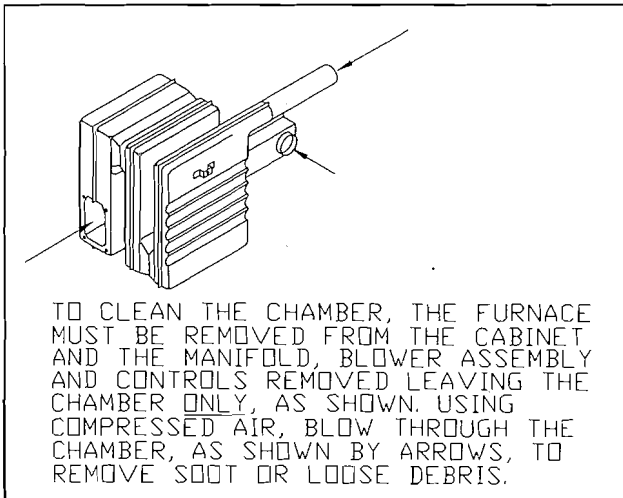


Figure 9

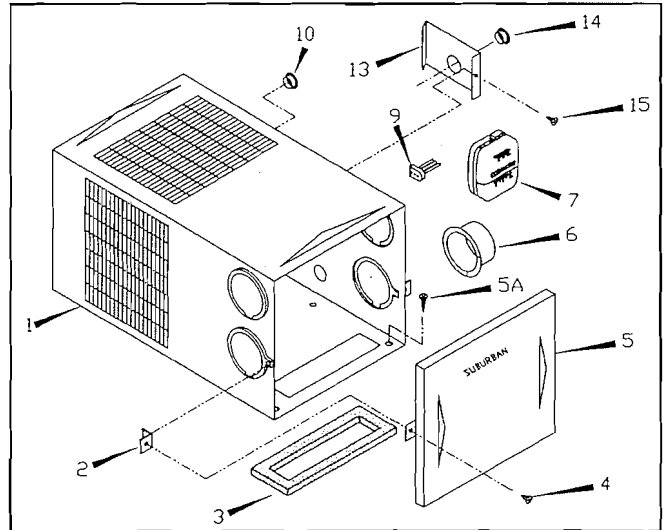


Figure 10

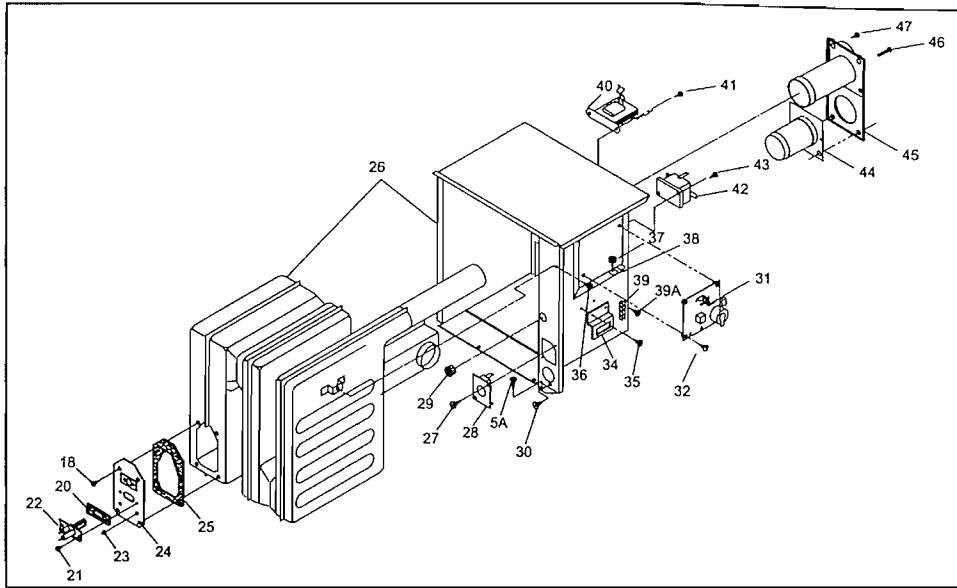


Figure 11

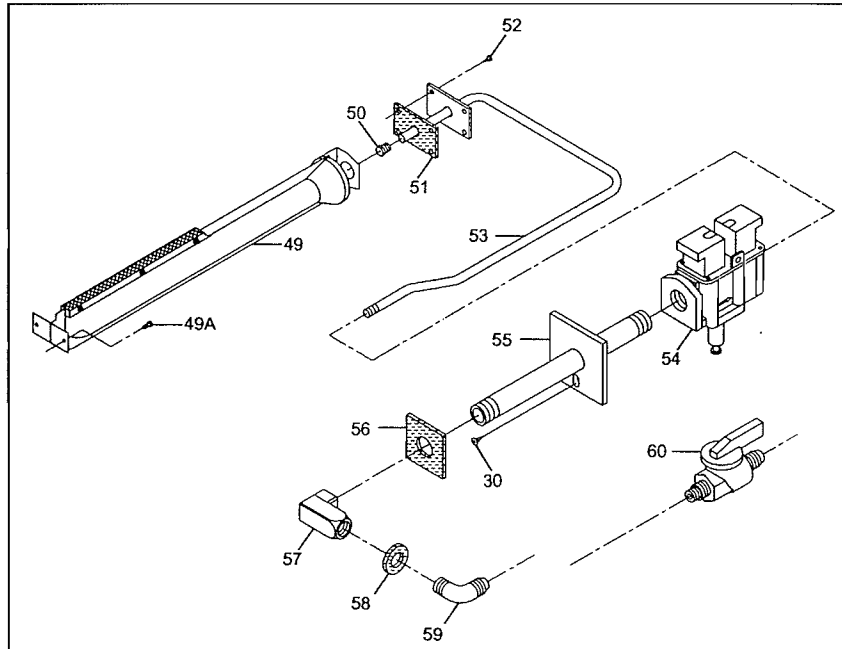


Figure 12

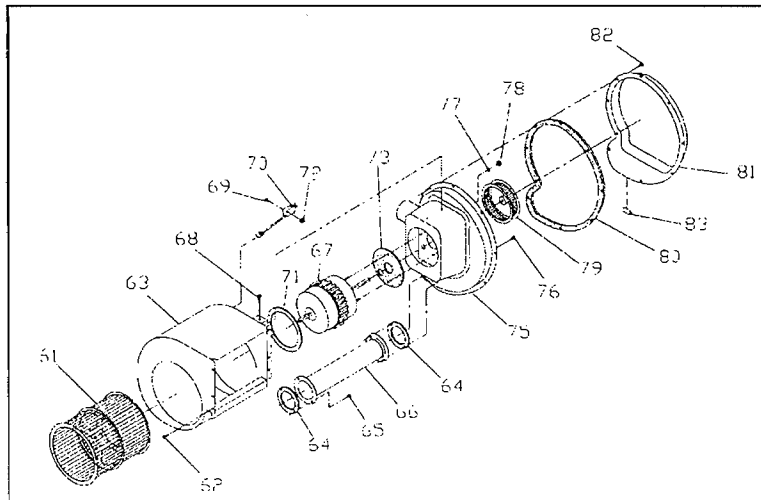


Figure 13

# REPLACEMENT PARTS LIST

FOR MODEL

P-30S

Only factory authorized parts are to be used. Do not attempt to repair defective parts.

When ordering repair parts from your dealer, a Suburban Service Center, or distributor, always give the following information

1. Part Number (Not Item No.)
2. Part Description
3. Model Number, Serial Number, and Date Code of Furnace
4. Number of Parts Required

Item No.	Description	Part Number
1	Cabinet Assembly	101877
2	Fastener, Tinnerman (2 Required)	121662
3	Gasket, Bottom Duct Adaptor (Required only if bottom ducting is used)	062164
4	Screw, #10 - 24 x 1/2 (2 Required)	121227
5	Cabinet Front	101876DG
5A	Screw, #8 x 3/8	120158
6	Duct Collar (4 Required)	050715
7	Thermostat	161154
9	Power Supply Harness	231012
10	Bushing	230218
13	Cover, Junction Box	090204
14	Bushing	230218
15	Screw, #8 - 32 x 3/8 (2 Required)	121407
18	Screw, #10 x 1/2 (4 Required)	121388
20	Gasket, Electrode	070163
21	Screw, #8 - 32 x 3/8 (2 Required)	121407
22	Electrode Assembly	230956
23	Nut, 10-24 (2 Required)	120717
24	Door, Burner Access	030764
25	Gasket, Burner Access Door	070398
26	Combustion Chamber Assembly	020932BK
27	Screw, #10 x 3/8 (2 Required)	121252
28	Limit Switch	230496
29	Bushing	070362
30	Screw #10 x 3/8	121252
31	Module Board	230608
32	Screw, #6 x 5/8 (2 Required)	121357
34	Bracket, Power Supply	062135
35	Screw, #10 x 3/8 (2 Required)	121252
36	Screw, #10 x 3/8 (2 Required)	121252
37	Bushing	230218
38	Panel, Board Mounting	090301
39	Splicer	230714
39A	Screw, #6 x 1/4 (2 Required)	121244
40	Transformer Assembly	230998
41	Screw, #8 x 3/8 (2 Required)	120158
42	Time Delay Relay	231202
43	Screw, #6 x 5/8 (2 Required)	121502
44	Intake Tube	050906
45	Vent Cap and Exhaust Tube Assembly	260164
46	Screw, Vent Assembly	121711
47	Screw, #10 x 3/4 (6 Required)	121224
49	Burner	010701
49A	Screw, #10 - 24 x 1/2 (2 Required)	121459
50	Orifice	180214
51	Gasket, Manifold	070408
52	Screw, #10 x 1/2 (4 Required)	121388
53	Manifold Assembly	171468
54	Valve	161131
55	Pipe Assembly, Gas Inlet (Includes Item #57)	171434
56	Gasket, Gas Inlet Pipe	071034
57	Elbow, 90°	171428
58	Gasket, Disc Cover	070534
59	Elbow, 90°	170374
60	Valve, Manual Shut-Off	161114
61	Wheel, Room Air	350113
62	Screw, #10 x 3/8 (4 Required)	121252
63	Blower Housing Assembly	390300BK
64	Gasket, Crossover Tube (2 Required)	070385
65	Screw, #10 x 1/2 (2 Required)	121388
66	Crossover Tube	050751
67	Motor Assembly	232799
68	Screw, #10 x 1/2 (2 Required)	121388
69	Screw, #2-56 x 5/8 (2 Required)	121247
70	Micro Switch and Paddle Assembly	230509
71	Gasket, Motor	070844
72	Nut #2-56 (2 Required)	121951
73	Gasket, Motor Mount	071168
75	Housing Assembly, Combustion Air	390901BK
76	Screw, #10 - 16 x 1/2 Hex Hd. (2 Required)	121436
77	Washer (4 Required)	120722
78	Nut, #8 - 32 Hex Lock (4 Required)	120760
79	Wheel, Combustion Air	350110
80	Gasket, Combustion Air Housing	070386
81	Housing, Combustion Air (Outside)	390424
82	Screw, #10 x 1/2 (9 Required)	121388
83	Tinnerman	121712

# TWO YEAR LIMITED WARRANTY

## SUBURBAN RECREATIONAL VEHICLE FURNACE

### TWO YEAR LIMITED WARRANTY

This Suburban product is warranted to the original purchaser to be free from defects in material and workmanship under normal use and maintenance for a period of two years from date of purchase whether or not actual use begins on that date. It is the responsibility of the consumer/owner to establish the warranty period. Suburban does not use warranty registration cards for its standard warranty. You are required to furnish proof of purchase date through a Bill of Sale or other payment record.

Suburban will replace any parts that are found defective within the first two years and will pay a warranty service allowance directly to the authorized Suburban Service Center at rates mutually agreed upon between Suburban and its authorized service centers. Replacement parts will be shipped FOB the shipping point within the Continental United States, Alaska and Canada to authorized service centers performing such repairs. Before having warranty repairs made, confirm that the service agency is an authorized service center for Suburban. **DO NOT PAY THE SERVICE AGENCY FOR WARRANTY REPAIRS; SUCH PAYMENTS WILL NOT BE REIMBURSED.**

For warranty service, the owner/user should contact the nearest authorized Suburban Service Center, advising them of the model and serial numbers (located on the furnace) and the nature of the defect. Transportation of the unit to and from the Service Center and/or travel expenses of the Service Center to your location is the responsibility of the owner/user. A listing of authorized Service Centers is included in the owner's packet supplied with the furnace and a current listing may be obtained from Suburban. If you cannot locate an authorized service center locally, the service agency chosen to perform warranty repairs must contact our Service Department at 423-775-2131 for authorization. Unauthorized repairs made will not be paid by Suburban.

### THREE YEAR LIMITED WARRANTY ON HEAT EXCHANGER

The furnace heat exchanger is further warranted to be free from defects in material and workmanship during the third through fifth year after the date of original purchase. A replacement heat exchanger will be provided under the same conditions as stated in the two year warranty EXCEPT no labor reimbursement will be provided.

### LIMITATION OF WARRANTIES

ALL IMPLIED WARRANTIES (INCLUDING IMPLIED WARRANTIES OF MERCHANTABILITY) ARE HEREBY LIMITED IN DURATION TO THE PERIOD FOR WHICH EACH LIMITED WARRANTY IS GIVEN. SOME STATES DO NOT ALLOW LIMITATIONS ON HOW LONG AN IMPLIED WARRANTY LASTS SO THE ABOVE LIMITATIONS MAY NOT APPLY TO YOU. THE EXPRESSED WARRANTIES MADE IN THIS WARRANTY ARE EXCLUSIVE AND MAY NOT BE ALTERED, ENLARGED, OR CHANGED BY ANY DISTRIBUTOR, DEALER OR OTHER PERSON WHOMSOEVER.

### SUBURBAN WILL NOT BE RESPONSIBLE FOR:

1. Normal maintenance as outlined in the installation, operating and service instructions owner's manual including cleaning of component parts; such as, orifices and burners.
2. Initial checkouts and subsequent checkouts which indicate the furnace is operating properly, or diagnosis without repair.
3. Damage or repairs required as a consequence of faulty or incorrect installation or application not in conformance with Suburban instructions.
4. Failure to start and/or operate due to loose or disconnected wires; water or dirt in controls, fuel lines and gas tanks; restriction or alteration of return air circulation; low voltage.
5. Routine adjustments that may be required to the thermostat, electrode and burner.
6. Costs incurred in gaining access to the furnace.
7. Parts or accessories not supplied by Suburban.
8. Freight charges incurred from parts replacements.
9. Damage or repairs needed as a consequence of any misapplication, abuse, unreasonable use, unauthorized alteration, improper service, improper operation or failure to provide reasonable and necessary maintenance.
10. Suburban products whose serial number has been altered, defaced or removed.
11. Suburban products installed or warranty claims originating outside the Continental U.S.A., Alaska, Hawaii and Canada.
12. Damage as a result of floods, winds, lightning, accidents, corrosive atmosphere or other conditions beyond the control of Suburban.
13. ANY SPECIAL, INDIRECT OR CONSEQUENTIAL PROPERTY, ECONOMIC OR COMMERCIAL DAMAGE OF ANY NATURE WHATSOEVER. Some states do not allow the exclusion of incidental or consequential damages, so the above limitation may not apply to you.

NO REPRESENTATIVE, DEALER OR OTHER PERSON IS AUTHORIZED TO ASSUME FOR SUBURBAN MANUFACTURING COMPANY ANY ADDITIONAL, DIFFERENT OR OTHER LIABILITY IN CONNECTION WITH THE SALE OF THIS SUBURBAN PRODUCT.

This warranty gives you specific legal rights, and you may also have other rights which vary from state to state.

### IF YOU HAVE A PRODUCT PROBLEM

#### FIRST:

If your RV has its original furnace and is still under the RV manufacturer's warranty, follow the steps described in your RV owner's manual.

#### SECOND:

Contact a conveniently located recommended Suburban Service Center. Describe to them the nature of your problem, make an appointment, if necessary, and provide for delivery of the furnace to the selected service center.

#### THIRD:

For the location of the nearest service center, refer to the listing provided or contact:

Suburban Manufacturing Company  
Customer Service Department  
Post Office Box 399  
Dayton, Tennessee 37321  
(423) 775-2131, Ext. 1

For future reference, you should record the following information
MODEL NUMBER _____
SERIAL NUMBER _____
STOCK NUMBER _____