

General Purpose Pumps

MARINE PRODUCT DATA SHEET

OEM: N/A
 AFTERMARKET: 8050-305-626



Incorporating SHURflo's advance motor technology that includes thermal overload protection, these pumps are self-priming, easy to install and are extremely versatile-perfect for a variety of uses including winterizing, Oil changing and liquid transfer.

TYPICAL APPLICATIONS

Oil change, winterizing, automatic transmission fluids, anti-freeze solutions, low viscosity gear and liquid transfer. Other uses may include 12 VDC pressurized water systems, For other applications contact SHURflo.

PUMP

Type: 3 Chamber Diaphragm
 Ports: 3/8" NPT-Female
 Liquid: 130 °F [54 °C] Max
 Prime: 6 feet [1.82 M]
 Inlet PSI: 30 PSI [2.1 Bar] Max
 Run Dry: Yes

ELECTRICAL

Motor: 12VDC Permanent Magnet, Continuous Duty
 Protection: Thermal Overload
 Leads: 8 feet [2.4m] with alligator clips
 Fuse: 7.5 Amp Recommended
 Control: 35 PSI Internal By-Pass

MATERIALS

Housing: Polypropylene
 Valves: Buna
 Diaphragm: Geolast 87 Shore
 Hardware: Stainless Steel

APPROVALS

CE

WARRANTY

1 Year Limited Warranty
 See SB-1041 & SB-1050 For Full Warranty Details

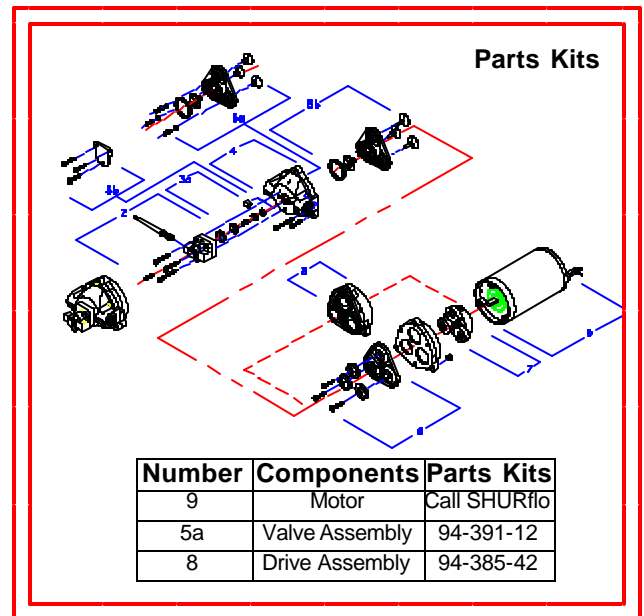
SHIPPING

Net Weight (Boxed): 28 Lb [12.7 Kg] each
 Carton Weight: each, Lb [Kg]
 Carton Size: 24"L x 18"W x 6"H

[61 cm x 46 cm x 15 cm]

RELATED DOCUMENTS

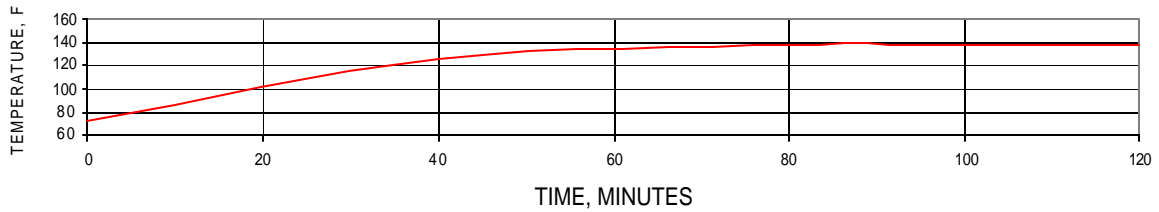
Catalog: MS-030-140
 Installation Manual: 911-714
 Maintenance: 911-314
 Applications Spec Guide: MS-020-005
 Warranty: SB-1050



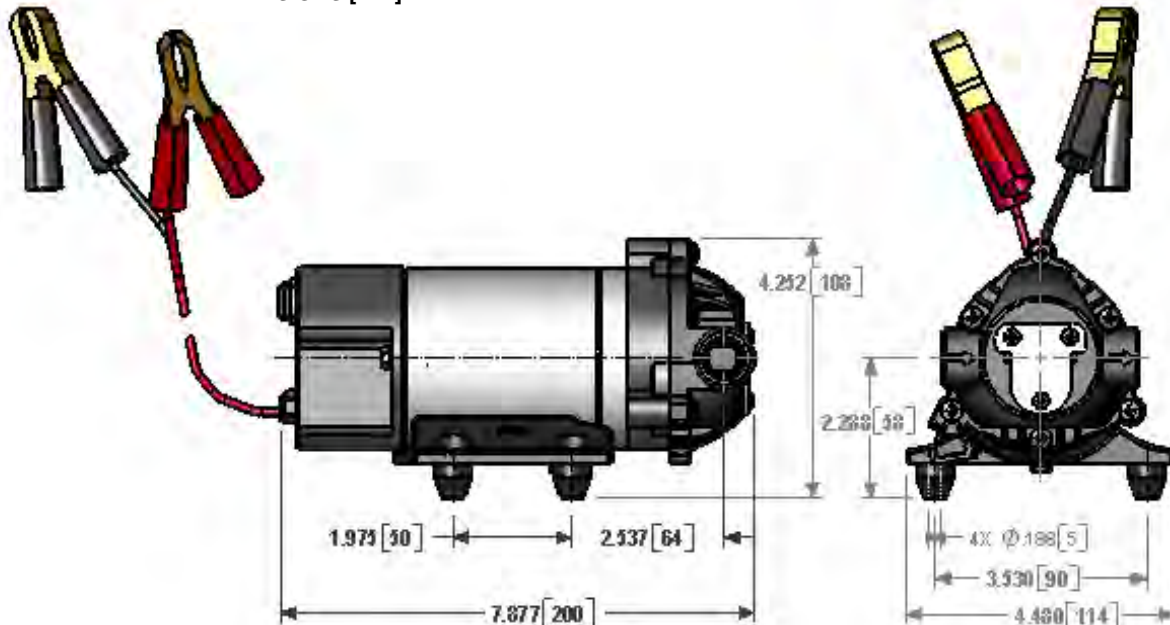
PERFORMANCE @ 12V DC WITH WATER

PRESSURE		FLOW		CURRENT
BAR	PSI	GPM	LPM	AMPS
0.0	0	1.55	5.86	2.2
0.7	10	1.45	5.48	2.8
1.4	20	1.36	5.14	3.5
2.1	30	1.10	4.16	4.1
2.8	40	0.15	0.56	4.4

TYPICAL MOTOR SHELL T-RISE @ 40 PSI, 12V



DIMENSIONS [mm]



SHURflo reserves the right to update specifications, prices, or make substitutions.



SHURflo, LLC Headquarters

5900 Katella Avenue
 Cypress, California 90630
 Phone (562) 795-5200 • Toll Free (800) 854-3218
 Fax (562) 795-7564

SHURflo, LLC East

52748 Park Six Court
 Elkhart, Indiana 46514-5427
 Phone (562) 795-5200 • Toll Free (800) 854-3218
 Fax (574) 264-2169

SHURflo Europe, Middle East, Africa

Pentair Water Belgium bvba,
 Industriepark Wolfstee, Toekomstlaan 30
 B-2200 Herentals, Belgium
 Phone +32-14-283500 • Fax +32-14-283505