

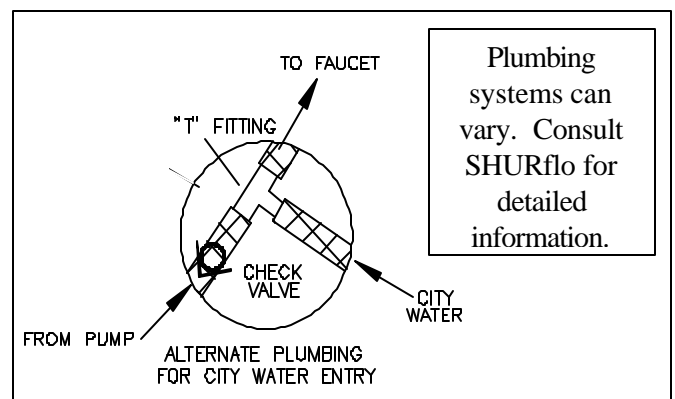
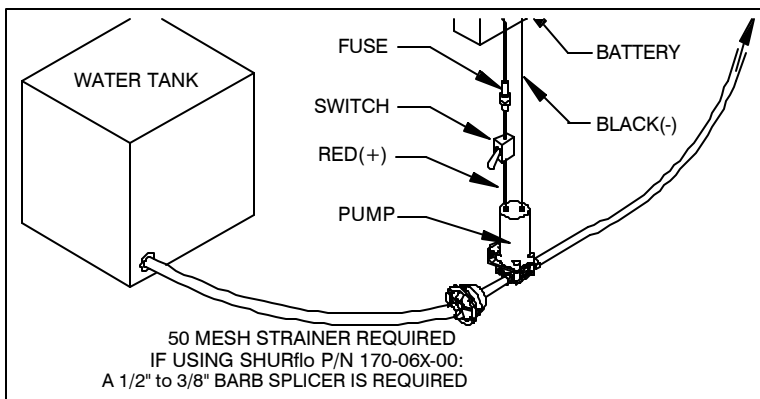
SHURflo LO-FLO 105 SERIES RV PUMPS INSTALLATION MANUAL

SHURflo Lo-Flo 105 Series RV pumps are rugged, lightweight, compact and provide the ability to self-prime and run dry. Standard features include a pressure demand switch, built in 3/8" hose barb ports, flexible mounting feet, splash proof motor, and thermal protector. All with the security that comes with a UL Recognized Component.

INSTALLATION:

SHURflo Lo-Flo 105 Series RV pumps are self-priming and can be located up to 2.5 feet above the water level. Horizontal and vertical prime vary depending on the fluid viscosity and pump configuration. The pump can be at the same level or below the tank.

- The pump should be located in an area that is dry and properly ventilated to prevent heat build-up.
- Use 50-mesh strainer minimum at the inlet side of the pump. Use flexible hose on inlet.
- The pump can be mounted in any position. However, if mounting the pump vertically the pump head should be in the down position so that in the event of a leak, fluid will not enter the motor.
- 12 Volt pump must be provided with a 5-amp fuse.
- Recommended wire size is 16 gauge (1.3 mm) or larger wire as determined by voltage drop. Negative (-) must be connected to a known ground. Ground wire must be the same (gauge/mm) as the positive.



TROUBLESHOOTING

PUMP WILL NOT START:

- Ø For correct voltage (+10%) and electrical connections
- Ø Fuse or breaker
- Ø Pressure switch operation and correct voltage at switch
- Ø Rectifier or motor for open or grounded circuit
- Ø For locked drive assembly

PUMP WILL NOT SHUT-OFF:

- Ø Output line closed and no leaks
- Ø For air trapped in outlet line or pump head
- Ø For correct voltage to pump
- Ø Debris in pump Inlet/Outlet valves
- Ø For loose drive assembly or pump head screws
- Ø Pressure switch operation/adjustment

WILL NOT PRIME: (No discharge/motor runs)

- Ø Strainer for debris
- Ø Inlet/Outlet tube severely restricted (kinked)
- Ø Inlet /Outlet valves for debris or swelling

LEAKS FROM PUMP HEAD OR SWITCH:

- Ø For loose screws at switch or pump head
- Ø Switch diaphragm ruptured or pinched
- Ø For punctured diaphragm if fluid is present at drain holes

LIMITED WARRANTY

SHURflo warrants its Potable Water pumps to be free from material and workmanship defects under normal use and service for a period of two (2) years from the date of manufacture indicated on the motor name plate.

The limited warranty will not apply to pumps that were improperly installed, misapplied, or are incompatible with components not manufactured by SHURflo. Pump failure due to foreign debris is not covered under the terms of this limited warranty. SHURflo will not warrant any pump that is physically damaged, or altered outside the SHURflo factory.

Warranty claims may be resolved by an authorized dealer service center, or by a SHURflo service center. Returns are to be shipped with charges pre-paid. Package all returns carefully. SHURflo will not be responsible for freight damage incurred during shipping to a service center.

For complete Limited Warranty details consult Service Bulletin #1041

SPECIFICATIONS:

MODEL NUMBER: 105 SERIES

PUMP DESIGN: Positive Displacement Pump

MOTOR: Permanent Magnet, 11-262-00

VOLTAGE: 12VDC

PRESSURE SWITCH: Factory set:
30 PSI Shut-off, Turn on 25± 5PSI

LIQUID TEMPERATURE: 110 Degrees Max
Fahrenheit (43 Degrees Centigrade)

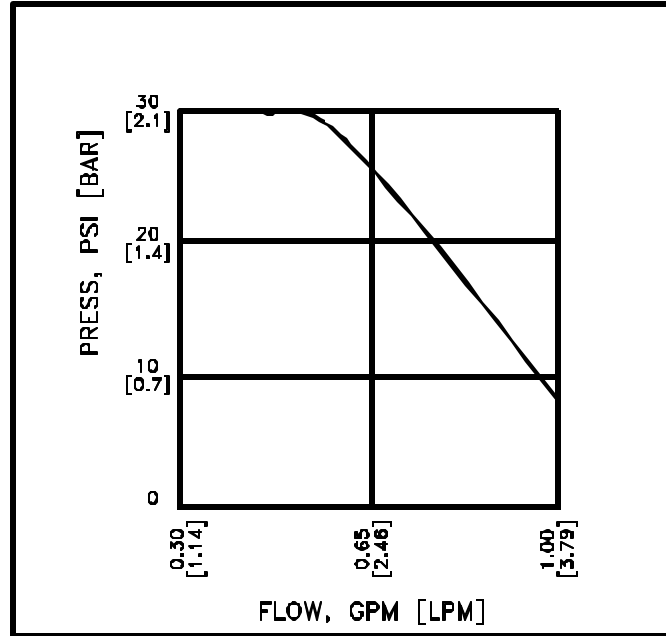
PRIME: Self Priming Up to 2.5 Ft. Vertical

PORTS: 3/8" Barb

NET WEIGHT: 1.27 lbs

DUTY CYCLE: Intermittent

MAX AMPS: 105-003
2.5Amps @ 30 psi



MATERIAL OF CONSTRUCTION:

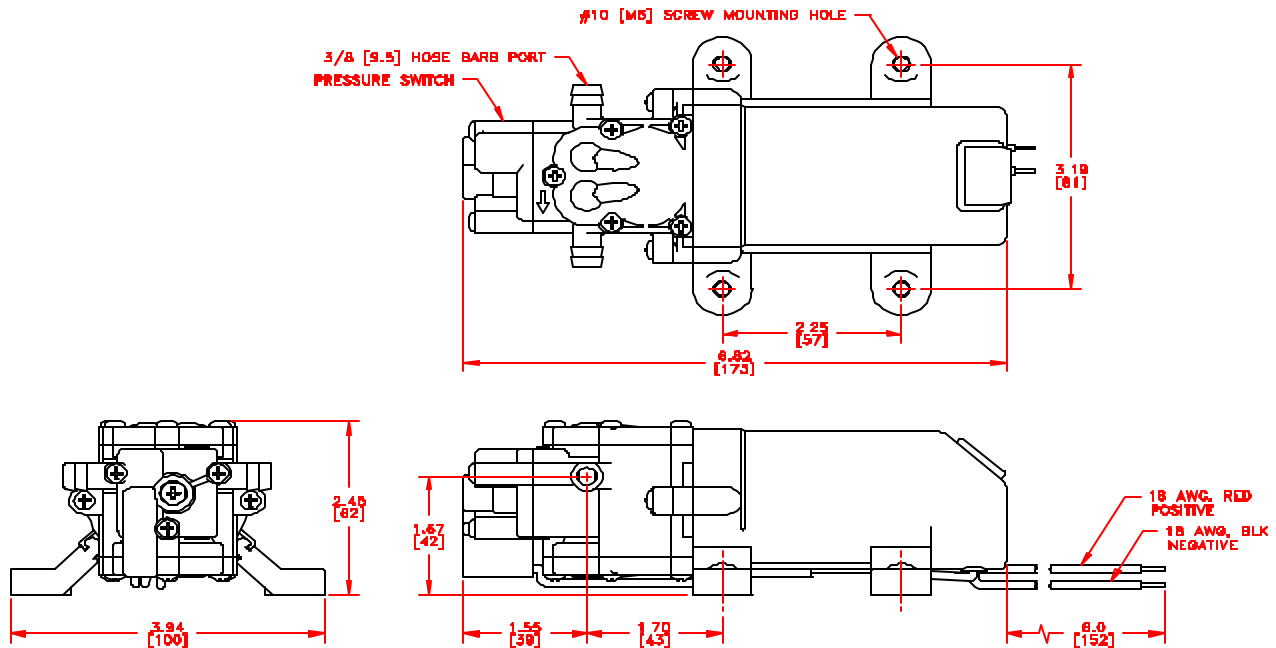
MOTOR HOUSING - Nylon

PLASTIC- Polypropylene

VALVES- EPDM

DIAPHRAGM- Santoprene

FASTENERS- Zinc Plated/Stainless Steel



SHURflo reserves the right to update specifications, prices, or make substitutions.

SHURflo, LLC Headquarters
 5900 Katella Ave.
 Cypress, CA 90630
 Phone (562) 795-5200 Toll Free (800) 854-3218
 FAX (562) 795-7554

SHURflo, LLC East
 52748 Park Six Court
 Elkhart, IN 46514-5427
 Phone (562) 795-5200 Toll Free (800) 854-3218
 FAX (574) 264-2169
 © 2002 Printed in USA

SHURflo Europe, Middle East, Africa
Pentair Water Belgium bvba,
 Industriepark Wolfstee, Toekomstlaan30
 B-2200 Herentals, Belgium
 Phone +32-14-283500
 Fax +32-14-283505