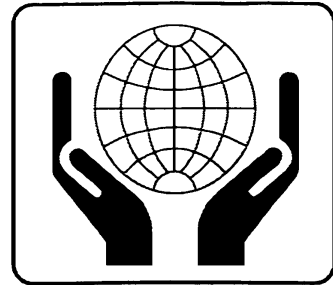
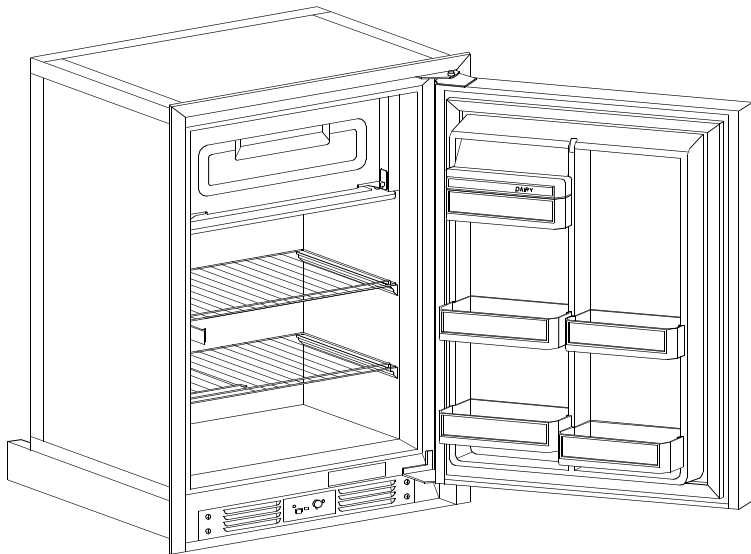




TEK II Dual Electric Refrigerator Model DE-541 Owner's Manual



CFC FREE PRODUCTS
REFRIGERANT 134A

Contents

Extended Service Protection Plan	3
Ventilation	4
Installation	5
Locating the Refrigerator	5
Operation and User Instructions	8
Refrigeration Care	9
Information on Battery Power	9
Trouble-Shooting	10
Wiring Diagram	11
Limited Warranty	12

Special Requirements For Marine Installations:

The DE-541 is internally wired so that the AC and DC circuits are isolated from each other. If the positive (+12 volts) DC input is grounded in any way (cuts in the wire insulation, improperly insulated connections, etc.), a voltage potential could be developed throughout the boat in which corrosion develops on any metal parts exposed to water.


This situation may be avoided by wiring the boat so that AC and DC grounds are common and wiring is protected per NNMA CERTIFICATION HANDBOOK (1987). Inspect all wiring to insure that insulation has not been damaged. Plastic wire clamps are recommended.

To obtain more information on corrosion, a good reference is:

BOAT AND YACHT CORROSION CONTROL
by Yacht Corrosion Consultants, Inc.
2368 Eastman Ave. #6, Ventura, Ca. 93003

Safety Awareness

Read this manual carefully and become thoroughly acquainted with the contents before installing and operating the refrigerator.

Be alert to a potential Safety Hazard when this symbol  is observed on your refrigerator or in this manual.

A signal word (i.e., Danger, Warning, Caution) is used with the Safety Alert Symbol and identifies the seriousness of the Safety Hazard. Review the safety symbols and signal words below. Carefully read the descriptions to understand their meaning. The safety signs are intended for your safety.



Danger is used to indicate the presence of a hazard which will cause severe personal injury, death, or substantial property damage if the warning is ignored.



Warning is used to indicate the presence of a hazard which can cause severe personal injury, death, or substantial property damage if the warning is ignored.



Caution is used to indicate the presence of a hazard which will or can cause a minor personal injury, or substantial property damage if the warning is ignored.



WARNING

Always apply the following safety precautions when operating this refrigerator. Failure to follow these safety precautions can result in substantial property damage, severe personal injury, or death.

- * This refrigerator must be used in the manner for which it was designed. Refer to this manual for operating and installation procedures.
- * Keep the refrigerator and the surrounding area clean. Never store combustible materials in the vicinity of the refrigerator. Storing combustible materials in the vicinity of the refrigerator not only creates a safety hazard, but inhibits the air flow to the cooling system, reducing cooling efficiency.
- * The 120 volt AC circuit must be properly grounded. Never cut or remove the round grounding prong from the refrigerator's AC power cord. Do not use a two-prong adapter. Do not use an extension cord.
- * Protect all wiring from physical damage, vibration, or excessive heat.
- * Always disconnect both the AC and DC power sources from the refrigerator when performing routine maintenance. All servicing must be performed by a qualified service technician.
- * Always replace blown fuses with fuses of identical ampere ratings. In the event of a circuit overload, the use of improper fuses can lead to an electrical fire.
- * Keep liquids away from electrical connections. Many liquids are electrically conductive and could cause serious arcing damage and, in some cases, fires.
- * Never bend, drop, drill, weld, or hammer the refrigerant system. Doing so can cause the system to rupture, releasing chemicals under high pressure. Contact with these chemicals will cause irritation to the eyes or skin.
- * Never attempt to repair or recharge the refrigerant system. A defective refrigerant system must be replaced.
- * To prevent child entrapment while refrigerator is in storage, limit access to the refrigerator, and make sure the refrigerator door(s) are securely closed or removed. Always remove doors before disposing of any refrigerator.

Introduction

You are now the owner of a Norcold Model DE-541 Dual Electric Refrigerator. When used properly, this product is designed to give years of trouble free operation. Please read this manual carefully. It will help you keep your refrigerator operating efficiently and answer any questions that may arise concerning your unit.

The refrigeration unit on this model makes use of the new refrigerant (R-134a) that is 100% CFC Free. This refrigerant has been developed to provide cooling which is not linked to global warming and ozone depletion. We, at Norcold, are committed to providing products that are in harmony with the environment.

The model and serial numbers of this refrigerator must be recorded. You will find these numbers on the serial tag in the lower right corner when opening the door. These numbers should be used in any correspondence, either written or verbal, concerning this refrigerator.

Model: DE-541

Serial Number: _____

If a problem arises with the operation of your refrigerator, contact your dealer or an authorized Norcold Service Center. The service center booklets included in the information packet list authorized service centers in the United States and Canada.

Specifications:

The Norcold Model DE-541 is designed to operate on the following power sources:

120 volt AC - 132 volt AC max., 108 volt AC min.
61 hertz max., 59 hertz min.

12 volt DC - 15.4 volt max., 12 volt DC min.

Operation on power sources which exceeds the maximum limits may cause damage to the components of the refrigerator and void the warranty. Operation on power sources below the limits will result in poor refrigerator performance.



E.S.P.

Extended Cooling Unit Service Protection Plan

An additional two year Service Contract is now available to original purchasers of Norcold refrigerators. For only \$25.00 you get:

- Two extra years protection against cooling unit failure
- Automatic replacement of defective cooling unit
- Pre-paid freight from your dealer to Norcold and return
- Labor free of charge

The E.S.P. (Extended Service Protection) plan can be obtained by mailing your check for \$25.00*, U.S. funds to:

NORCOLD
P O BOX 4248
SIDNEY OH 45365-4248

If mailing in Canada:

GREG LUND PRODUCTS LTD
P O BOX 760
OAKVILLE ONTARIO CANADA L6J 5C4

E.S.P. is a service contract between Norcold and the original purchaser. The contract provides replacement

of a defective cooling unit only for this refrigerator (freight, parts and labor) for an additional period of two years after expiration of the original Limited Warranty. The refrigerator must be delivered to a Norcold Service Center together with the Norcold E.S.P. card showing E.S.P. coverage. An E.S.P. card will be mailed to the original purchaser upon receipt of a completed Extended Service Protection Plan Application form and a check covering the E.S.P. charge. E.S.P. coverage is non-transferable and non-refundable.

To register your refrigerator, fill out the Extended Service Protection Plan Application - i.e.: tear sheet form in blue envelope or include the following information (Please Print Clearly):

1. Owner's name and address
2. Refrigerator model number
3. Refrigerator serial number
4. Date of purchase (Refrigerator or Cooling Unit)
5. Proof of purchase (Refrigerator or Cooling Unit)
6. Check for \$25.00* (payable to Norcold)

Applications will be accepted only if they are mailed within ninety (90) days after date of purchase.

* Ohio residents, add \$1.63 sales tax.

Ventilation

TABLE 1
Refrigerator Enclosure Cut-Out Dimensions

Height	Width	Depth
30 7/8"	23 1/4"	23 1/2"

As with any design, the Norcold Model DE-541 refrigerator requires adequate ventilation air to remove the heat rejected by the components on the back of the refrigerator.

If the refrigerator operates in a large open room (such as a home refrigerator), the air heated by the refrigerator is absorbed into the room space without a noticeable temperature change within the room. In this case, the refrigerator has adequate ventilation air. The Norcold model is designed for built-in installation and requires attention to the construction to provide adequate ventilation air.

Adequate ventilation could be supplied by a mechanical fan, but it is normally impractical for the typical installation because of battery drain and fan noise.

Without assistance from fans, the area enclosing the heat rejecting components (back of refrigerator) must allow cooling air to be drawn in, the rejected heat to be absorbed, and the heated air to escape away from the refrigerator.

Ventilation Requirements

Figure 1 illustrates a typical marine installation where the refrigerator is built into the "under counter" space. If the area behind the refrigerator is completely blocked off, the air surrounding the refrigerator will be trapped and very poor cooling will result.

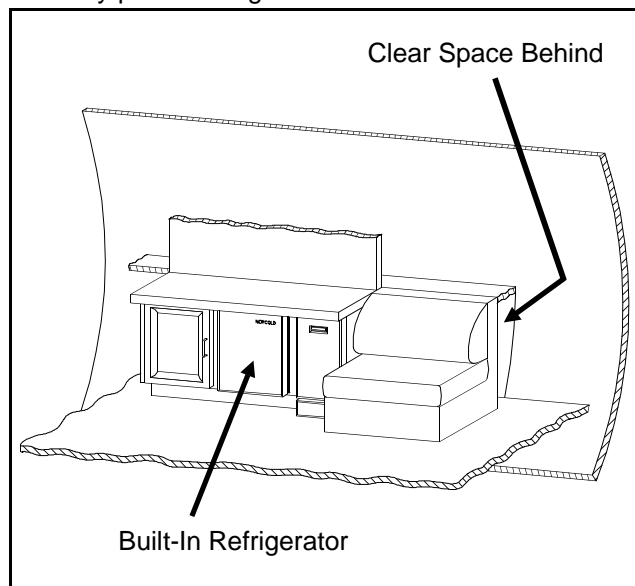


Figure 1 Typical Refrigeration Installation

Most installations provide airspace behind the refrigerator due to the curvature of the hull. It is important that this area be open enough to allow air flow in and out. An opening of at least 50 square inches must be provided at floor level (at rear of refrigerator). A second opening of at least 50 square inches must be provided directly above the condenser or at either upper side of the refrigerator. These openings insure adequate refrigerator performance by allowing an unobstructed air flow over the refrigerator condenser. Failure to provide the necessary openings will result in poor refrigeration, continuous refrigerator compressor operation, and accelerated battery discharge. The air openings cannot always be single openings but may be a combination of spaces between fixtures, partitions, etc..

Figure 2 illustrates a cross sectional view which indicates both sides are open to an adequate supply of air and passage above the *Condenser* for air to escape. The open space between the back of the refrigerator and the hull should average at least 3 inches from the top to bottom.

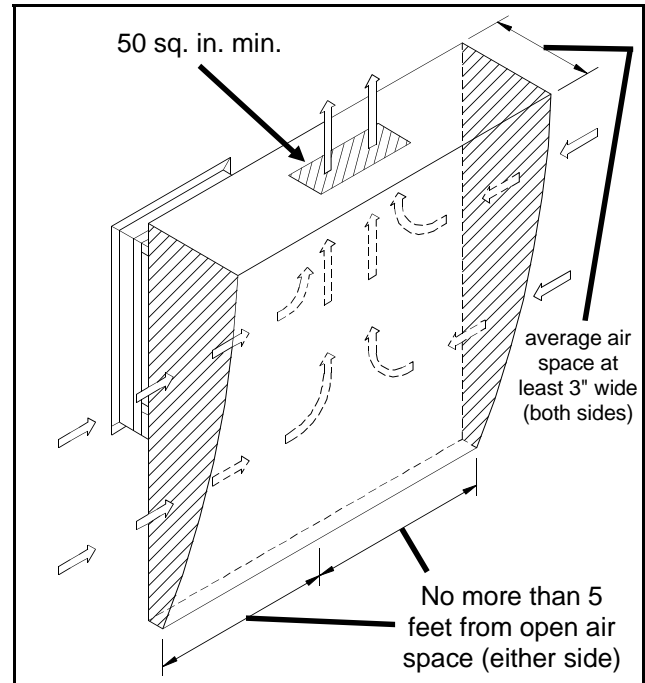


Figure 2 Ventilation is Acceptable

Installations in Travel Trailers

The same principles of ventilation applies to installation into travel trailers. The easiest and most direct method of supplying air is by providing a louvered opening to the outside if an opening is not available within the coach area. In any case, a minimum of 50 square inches of opening must be provided at floor level and above the Condenser.

In months of freezing outdoor temperatures, it is recommended to cover any ventilation openings to the outside.

Installation

Locating the Refrigerator

The refrigerator is to be located on a solid and level floor that is strong enough to support the combined weight of the refrigerator and its contents. Install the refrigerator in area way from direct sunlight or other heat generating sources.

AC Power Connection

⚠ WARNING

This refrigerator is designed to operate on 120 volt AC, 60 Hertz grounded circuit. The refrigerator AC power cord is equipped with a three-prong grounding plug which must mate with a three-prong grounding receptacle to protect against possible shock hazards. Operating the refrigerator without proper ground can cause property damage, severe personal injury, or loss of life. It is the owner/installer's personal responsibility and obligation to provide a properly grounded circuit to the refrigerator in accordance with local codes or, in the absence of local codes, the National Electrical Code, NFPA 70. Do not cut or remove the grounding prong from the refrigerator's AC power cord.

Route the 120 volt AC supplying the receptacle through a fuse panel or circuit breaker which will protect the vehicle when an outside power source is used. The use of an extension cord is not recommended.

Notice: If AC power is supplied by an on-board generator, it is important to maintain both the voltage and frequency to within the specifications stated on page 2.

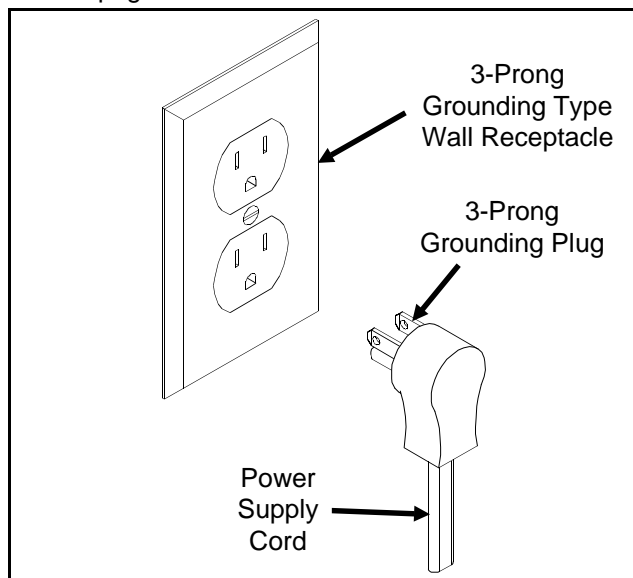


Figure 3

DC Power Connection

To minimize the possibility of electrical interference from other DC appliances, it is imperative that the refrigerator has an independent 12 volt DC supply. The 12 volt DC connection is made by connecting the DC power source directly from the battery to the refrigerator. To further limit the possibility of interference and induction due to voltage spikes, twist the 12 volt supply wires from the battery to the refrigerator.

⚠ CAUTION

Do not use a converter or battery charger to supply the DC power directly to the refrigerator. These two devices do not supply filtered DC power. When using a converter or battery charger, a battery must be in line between these devices and the refrigerator. Refer to Figure 14 on page 8 for correct wire routing.

The size of wire to be used for the refrigerator's power supply is dependent upon the distance between the battery and the refrigerator. Refer to Table 2 for the recommended wire size. Undersized wire can lead to a voltage drop which will greatly reduce the refrigerator's performance.

TABLE 2
12 Volt Supply Wiring and Fuse Size

Wire Length	Min. Wire Size	Max. Fuse Size
0 - 12'	14 AWG	15 AMP
12' - 20'	12 AWG	15 AMP
over 20'	10 AWG	15 AMP

The DC supply connects to the refrigerator at the terminal block of the power supply located at the rear of the refrigerator. The positive (+) supply lead connects to the red wire and the negative (-) supply lead connects to the black wire of the refrigerator's power supply (refer to Figure 4 on page 5). Observe the correct polarity when connecting the DC supply to the refrigerator. Route the 12 volt DC supply wires to protect them from damage.

To protect the refrigerator's electrical circuit, install a 15 amp fuse or circuit breaker in the positive battery supply lead as close to the battery as possible.

⚠ CAUTION

Disconnect the positive supply wire from the battery before applying a "fast charge" to the battery. Failure

to do so can result in damage to the refrigerator or other 12 volt DC appliances.

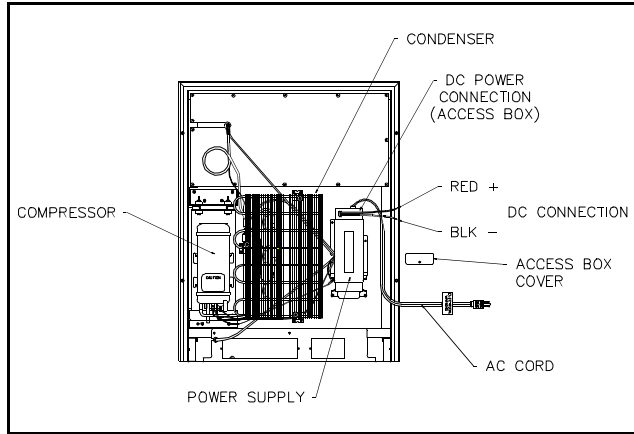


Figure 4

Lower Flange Installation

The lower flange is shipped as a loose part to prevent damage during shipment. The part is attached after the refrigerator is set into the cut-out opening.

1. Install the lower flange by maneuvering it under and behind the bottom hinge plate, as shown in Figure 5 (the hinge will be located on either the right or left side, depending on door swing preference).

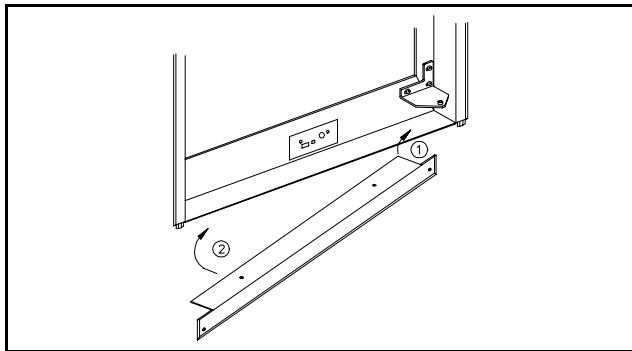


Figure 5

2. Once the lower flange is slipped around the hinge, the part will swing into place into place as shown in Figure 6.
3. Secure the flange with screws provided.

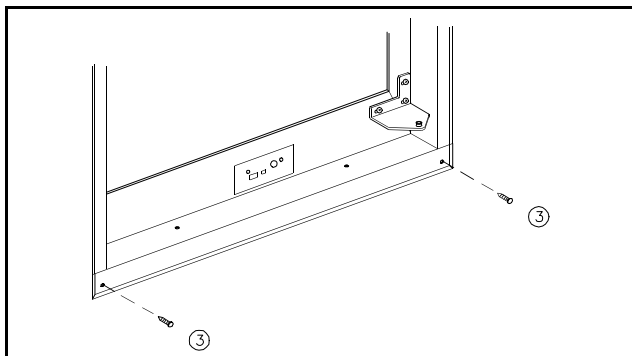


Figure 6

Decorative Door Panel Installation

The Norcold refrigerator door provides slots for inserting a decorative panel. Installation of the panel is accomplished by removing the handle assembly, inserting the decorative panel, and re-inserting the handle assembly (see Figure 7).

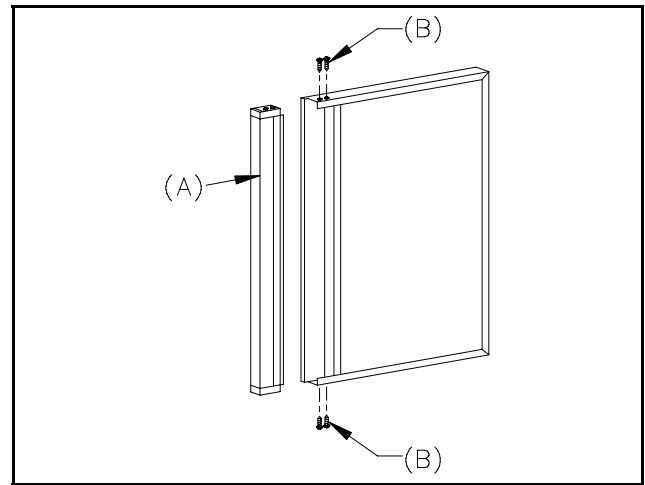


Figure 7

The frame slots are designed to accept panel thickness up to 3/16" maximum.

TABLE 3
Panel Dimensions

	DE-541
Door Panel	19 11/16" x 27 1/4"

Instructions

1. Prepare panel by cutting to size indicated in accompanying chart (see Table 3).
2. Remove handle assembly (A) by removing four screws (B). See Figure 7.
3. Slide panel into frame slots.
4. Replace the handle assembly.

Instructions for Reversing Door Swing

Your refrigerator is equipped with convertible door hinges. The hinging of the door can be changed to the opposite side anytime you wish.

Tools Required

- Phillips Screwdriver - Size #2
- Slotted Screwdriver

Removing the Door

1. Turn the power selector switch located on the thermostat control panel to "OFF".
2. Remove all items of food, juices, etc., from the door.

3. Remove all storage bins from the door by lifting up and pulling outward (see Figure 8 for location).

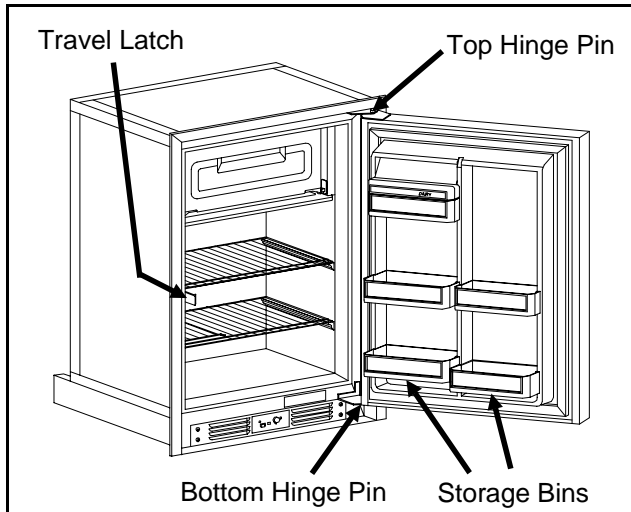


Figure 8

4. Using the slotted screwdriver, remove the top and bottom hinge pins (see Figure 8 for location).
5. Remove the door by opening slightly and pulling the bottom of the door away from the refrigerator. Allow room to slide door down off the upper hinge pin shoulder (see Figure 9).

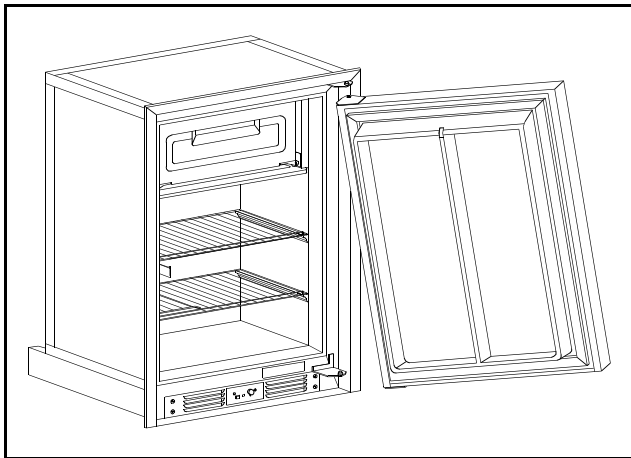


Figure 9

Removing and Relocating the Hinge Bracket

6. Using the #2 phillips screwdriver, remove the top hinge bracket by removing three screws securing the bracket in place. Save the screws for later reassembling (see Figure 10).
7. Using the #2 phillips screwdriver, remove the three screws on the opposite side corresponding to the top hinge bracket. Relocate the screws in the holes exposed by the removal of the top hinge bracket.
8. Using the #2 phillips screwdriver, remove the bottom hinge bracket by taking out the three screws holding the bracket in place. Save screws for later reassembling (see Figure 10).

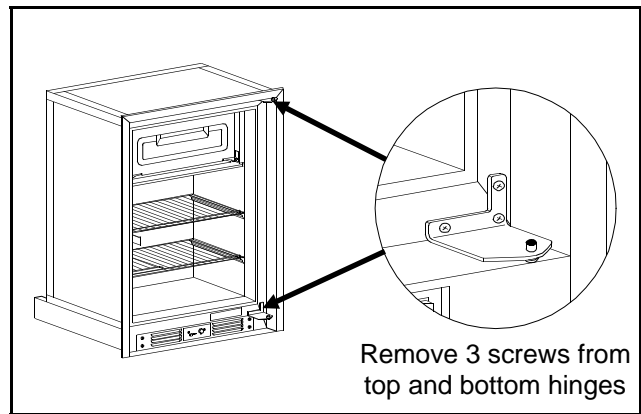


Figure 10

9. Using the #2 phillips screwdriver, remove the three screws on the opposite side corresponding to the bottom hinge bracket. Relocate the screws in the holes exposed by the removal of the bottom hinge bracket.
10. Reposition the bottom hinge bracket in the top corner of the refrigerator where the hole plugs previously were. Attach hinge bracket using the three screws previously removed. Do not tighten screws (see Figure 11).

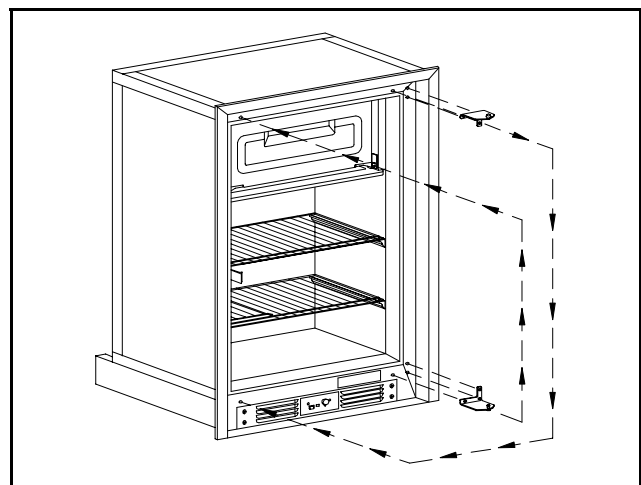


Figure 11

11. Reposition the top hinge bracket in the bottom corner of the refrigerator where the screws previously were. Attach hinge bracket using the three screws previously removed. Do not tighten screws.

Removing and Relocating Travel Latch

12. Using the #2 phillips screwdriver, remove the two screws securing the travel latch to the refrigerator. Save the screws for later reassembling (see Figure 12 on page 7).
13. Using the #2 phillips screwdriver, remove the two screws on the opposite side corresponding to the travel latch. Relocate the screws in holes exposed by removal of the travel latch.

14. Reposition the travel latch in the two holes exposed by the removal of the hole plugs. Attach travel latch using the two screws previously removed. Do not tighten screws (see Figure 12).

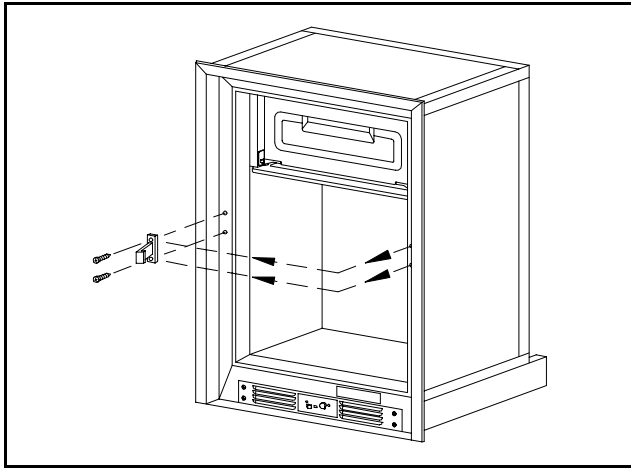


Figure 12

Reinstalling the Door

15. Turn the door over so the end previously at the bottom is now at the top. Relocate the bottom of the door on the bottom hinge pin shoulder. Close door and align holes in top hinge brackets. The magnetic gasket will hold the door in place.
16. Starting at the top, replace the hinge pins using the slotted screwdriver as in the removal procedure. Tighten both top and bottom hinge pins.
17. Align the door so that there is a parallel gap around the frame of the refrigerator. Adjust the door to the refrigerator cabinet so the gasket seals but does not bind. Tighten the screws holding the top and bottom hinge brackets to the refrigerator.
18. The door seal can be checked by closing the door on a 1" x 6" strip of paper (or a dollar bill). A slight drag should be noticed when the paper is pulled out from between the gasket and the refrigerator cabinet. Repeat the process around all four sides of the door if the door does not seal properly. Readjust the hinge brackets if necessary.
19. Position the travel latch to secure the door when closed. Secure the latch to the refrigerator with the two screws previously removed. Tighten screws.
20. Replace the storage bins into the door. Make sure that the milk bins (wider storage bins) are installed at the lowest door position.

About Your Refrigerator

Storage Volume: 3.1 Cu. Ft.

Controls

The model DE-541 operates on 12 volts DC or 120 volts AC. When both power source are supplied to the

refrigerator, it defaults to 120 volts AC operation. When the refrigerator is disconnected from the shoreline power (i.e. when AC is no longer available), the refrigerator switches to DC operation.

A single thermostat controls the operation of your refrigerator. The thermostat control is located on the panel below the door. The green light, located on the thermostat control panel, will illuminate, indicating that power is available to the refrigerator and the thermostat. Initially, set the thermostat control knob to "5" and allow 24 hours for the refrigerator to operate at this setting. After the 24 hour period, adjust the temperature by moving the thermostat knob to a lower number setting.

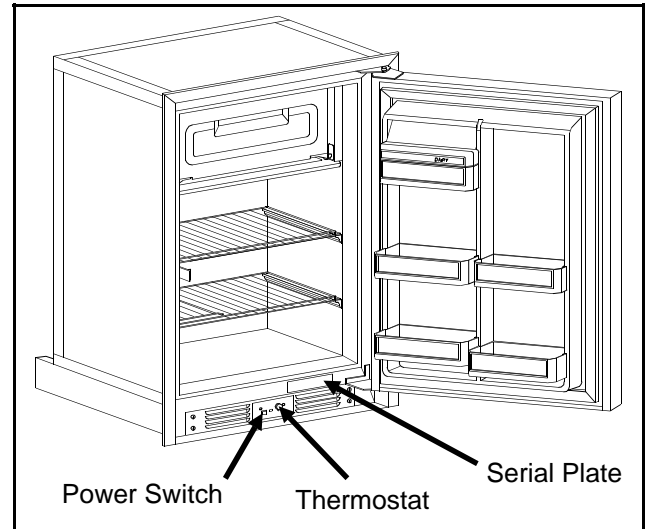


Figure 13

Freezer Compartment

This compartment is not designed for the quick freezing of food but designed to retain food in a frozen state. Foods prepared or purchased for storage in the freezer should be frozen to reduce the load on the refrigerant system.

When making ice, place the ice trays directly on the freezer surface and set the thermostat to its coldest setting.

Fresh Food Compartment

This compartment is designed to store and cool foods. Refrigeration requires air circulation within the fresh food compartment. Restriction of air circulation will cause inadequate refrigerator temperatures and possible food spoilage. Do not cover the refrigerator shelves with paper or plastic.

To prevent food odors, store highly flavored foods in covered dishes, plastic bags or wrap in foil. Cover vegetables to retain crispness. Do not put hot foods into the refrigerator or let door remain open longer than necessary.

Allow the refrigerator to operate for a minimum of eight hours or overnight before loading the refrigerator with food. Loading a warm refrigerator with warm foods will

require a longer period of time for the refrigerator temperature to lower.

Refrigerator Care

Cleaning the Interior and Defrosting the Refrigerator

Clean the inside of the fresh food and freezer compartments at least once a year. It is important to keep the refrigerator and freezer interior clean to minimize food odors. After a period of operation, it is normal for frost to gradually accumulate on the freezer plates, therefore requiring the freezer to be defrosted. When defrosting, the drip tray which is located beneath the freezer plate, can be emptied by either pulling it forward and removing it, or by removing the drain plug. When using the drain plug, place a pan on the refrigerator shelf and allow the drip tray to drain.

Add a small quantity of dishwasher detergent to luke-warm water and wash the refrigerator and freezer interior. Do not use abrasive cleaners to clean the interior of the refrigerator. Abrasive cleaners can harm the refrigerators interior surface.

Rinsing the interior in a solution of baking soda and water (a tablespoon of baking soda to a quart of water) will freshen and neutralize odors. Wipe refrigerator interior with a soft dry cloth to prevent water spots.

The door gasket can be cleaned in the same manner as the refrigerator interior. After cleaning, apply a thin layer of petroleum jelly to the gasket on the hinge side. This will keep the gasket soft and prevent it from rolling, insuring a proper door seal.

Checking Door Seal

The door seal must seal completely around the entire length of the door. This will insure cooling efficiency and prevent frost formation. Frequent frost or reduced cooling are indications of air leaks.

To check for proper door seal, lay a long strip of paper (dollar bill) between the gasket and the refrigerator. Close the door and withdraw the paper. A frictional drag should be observed. Repeat all around the door. If the paper does not have a noticeable frictional drag, the gasket is not sealing. Contact your service agency for assistance.

Information on Battery Power

A 12 volt DC source is required for the DC operation of your refrigerator. The refrigerator receives its DC power from the vehicle's battery system. The battery system not only supplies power to the refrigerator, but also supplies power to other DC appliances or accessories of the vehicle.

Figure 14 illustrates a dual battery arrangement, which is recommended for optimum power usage. This arrangement consists of two batteries; one which is used exclusively for operation of the vehicle's engine and its accessories, while the other battery is used for the operation of other DC appliances within the vehicle. Both of these batteries are charged by an alternator which is powered by the vehicle's engine. This arrangement helps to insure both batteries are being charged when the alternator is powered by the vehicle's engine.

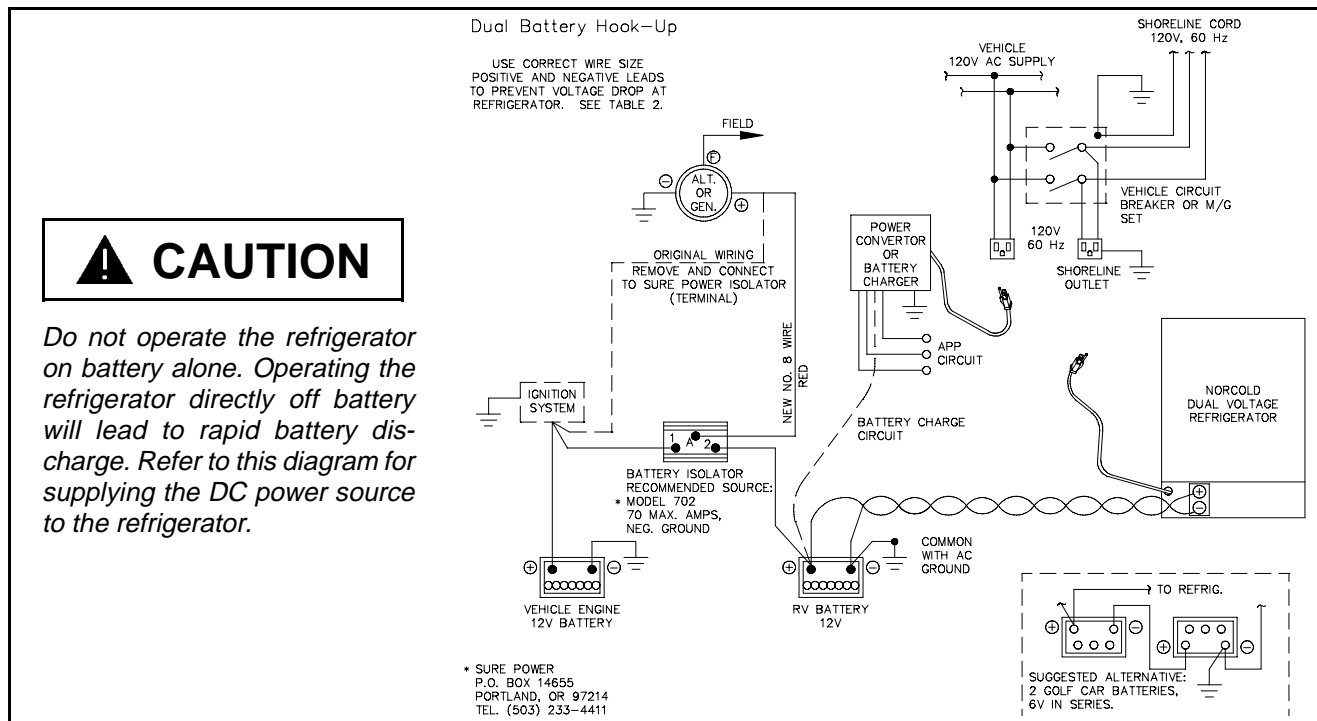


Figure 14

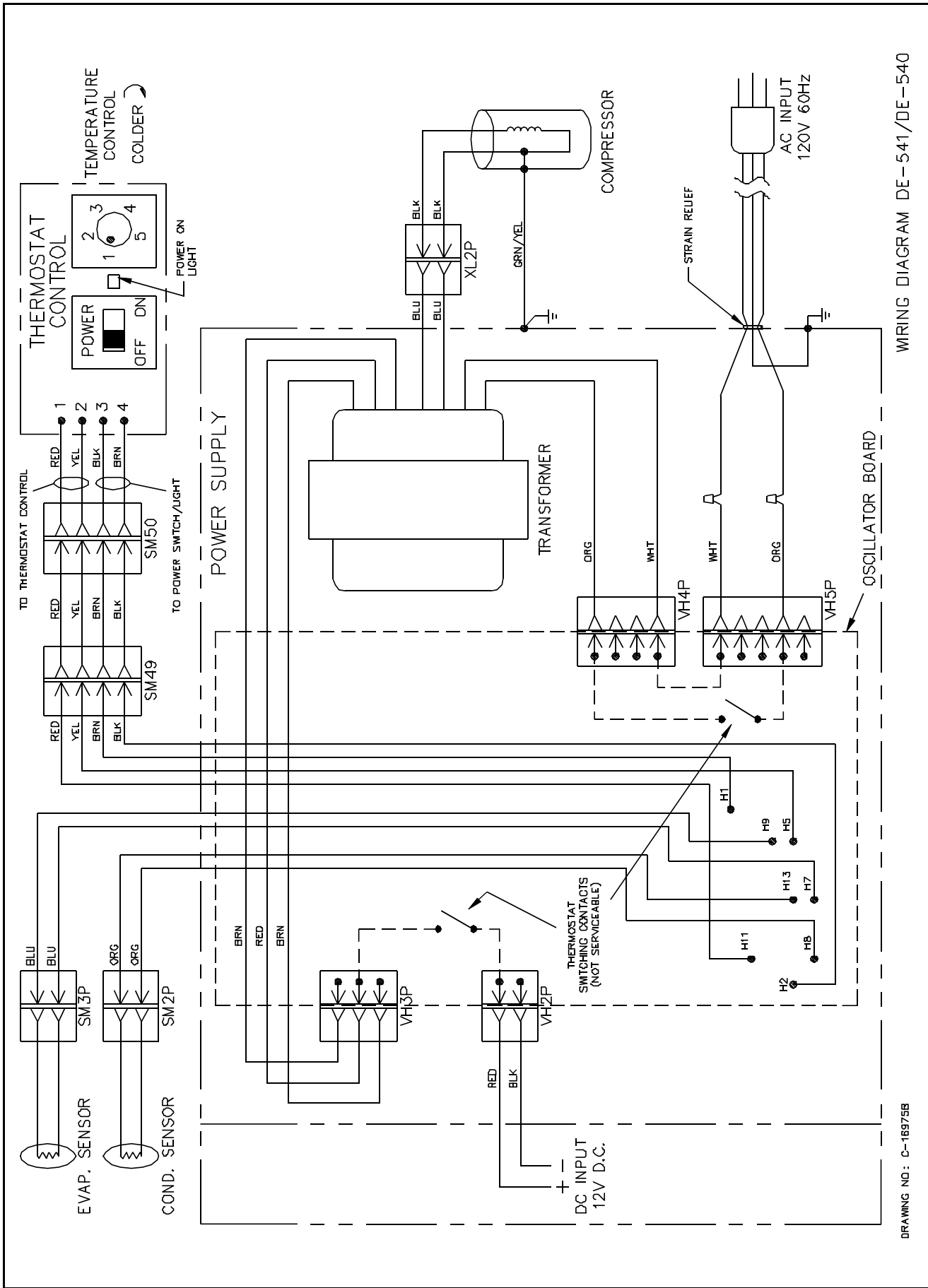
Trouble-Shooting



Unauthorized or improper servicing of this refrigerator can cause severe personal injury, property damage or both. All required service and maintenance must be performed by your dealer or a Norcold authorized service center. Norcold will not accept responsibility for improper installation, adjustment, alteration, service or maintenance performed by anyone other than a qualified dealer or a Norcold Service Center. Costs and consequential problems resulting from unauthorized or improper servicing of this refrigerator are the refrigerator owner's responsibility.

Note: The refrigerator information packet supplied with your refrigerator includes a Norcold Service Center location booklet.

Problem	Probable Cause
Refrigerator does not operate in AC Mode.	<ol style="list-style-type: none"> 1. Refrigerator power switch set to off. 2. Thermostat set to warm or not on. 3. Refrigerator may not be plugged into receptacle. 4. Circuit breaker or fuse may be tripped or blown. 5. The AC wall receptacle may be inoperative. <p>If refrigerator fails to operate after the above items have been checked, contact your dealer or an authorized Norcold Service Center.</p>
Refrigerator does not operate in DC Mode.	<ol style="list-style-type: none"> 1. Refrigerator power switch set to off. 2. Thermostat set to warm or not on. 3. 12 volts not being supplied to the refrigerator. 4. Low DC voltage or drained battery. 5. Circuit breaker or fuse blown or tripped. <p>If the above checks does not regain operation, contact your dealer or a Norcold Service Center.</p>
Insufficient Cooling - AC and DC Operations.	<ol style="list-style-type: none"> 1. Incorrect power source to refrigerator. 2. Improper installation/ventilation. 3. Unusually high ambient temperatures. 4. Hot weather - door not sealing properly. 5. Door opened for extended periods. 6. Thermostat set to warm. 7. Internal air circulation blocked by foods or shelves covered with paper or plastic. 8. Hot foods placed in fresh food compartment. 9. Freezer evaporator requires defrosting. <p>If the above checks does not improve refrigeration, contact your dealer or a Norcold Service Center.</p>



WIRING DIAGRAM DE-541/DE-540

DRAWING NO: C-18975B

Limited Warranty

Model DE-541

NORCOLD
P O BOX 4248
SIDNEY OH 45365-4248

This Limited Warranty is given by NORCOLD ("Company") to the original consumer-purchaser of any new refrigerating equipment ("Equipment") supplied by the Company, excluding glassware, electric light bulbs, replaceable fuses, and will be effective for a period of one year from date of original purchase. The Company warrants, provided that the Equipment shall at all times have been in possession of and used by the original consumer-purchaser, that:

- A. The Company will provide free service and replacement of defective parts at no charge at all authorized Norcold Service Centers for a period of one year from the date of original purchase. This Limited Warranty covers labor costs incurred in removing and re-installing the refrigerator only when necessary to replace a defective part. The Company will pay inbound and outbound transportation costs of any defective part, for a 1-year period commencing with date of purchase. The original consumer-purchaser must pay all expenses incurred in making the equipment available at one of the Norcold Service Centers.
- B. The following procedure shall be followed by any original consumer-purchaser desiring to obtain performance under the terms of this Limited Warranty. The refrigerator must be brought to any of the Norcold Service Centers and the original consumer-purchaser must present evidence (1) to identify the original consumer-purchaser: and (2) that the item claimed to be defective is still within the warranty coverage. If the original consumer-purchaser is unable to accomplish this task, written notice should be immediately directed to Norcold and advice will be promptly given concerning the manner in which warranty service may be obtained. Inability to physically bring the refrigerator to a Norcold Service Center will not void the warranty, but any additional costs thereby incurred are solely for the account of the original consumer-purchaser.
- C. The Company will not be liable under this Limited Warranty for any of the following:
 - (1) Defects which arise by reason of transit damage, misuse, neglect or accident.
 - (2) Manufacturing defects found at the time of purchase, and associated labor, which are not communicated to the Company within 30 days.
 - (3) Labor performed without need for parts replacements which is not communicated to the Company within 30 days.
 - (4) Defects in glassware or replacement of fuses.
 - (5) Defects arising from improper installation or adjustment of the Equipment.
 - (6) The need for normal maintenance of this refrigerator according to the guidelines specified in the Installation and Operating Instructions.
 - (7) Defects arising from the improper use of parts or parts not manufactured or supplied by the Company in the course of repairs or replacements to the Equipment.
- D. Employees and agents of the Company, and its authorized service representatives, have no authority to vary the terms of the Limited Warranty, which applies only to Equipment purchased and installed in the United States of America and the Dominion of Canada. The Company reserves the right to make any improvements or changes in parts or models without notice to any original consumer-purchaser.
- E. The Company shall not be liable or in any way responsible for any loss or damage to person or property, or lost profits or other similar loss or damage that may result or be claimed to have resulted from a defect in any parts of the Equipment covered by this Limited Warranty. Some states do not allow the exclusion or limitations of any incidental or consequential damages, so the above limitation or exclusion may not apply to you.
- F. ANY IMPLIED WARRANTY OF MERCHANTABILITY OR FITNESS FOR A PARTICULAR PURPOSE;
 - (1) APPLICABLE TO A PART OR PARTS OF THE REFRIGERATOR IS LIMITED TO A PERIOD OF ONE YEAR FROM DATE OF PURCHASE.
 - (2) SOME STATES DO NOT ALLOW LIMITATIONS ON HOW LONG AN IMPLIED WARRANTY LASTS. THE ABOVE LIMITATIONS MAY NOT APPLY TO YOU.
- G. This warranty gives you specific legal rights, and you may also have other rights which vary from state to state.